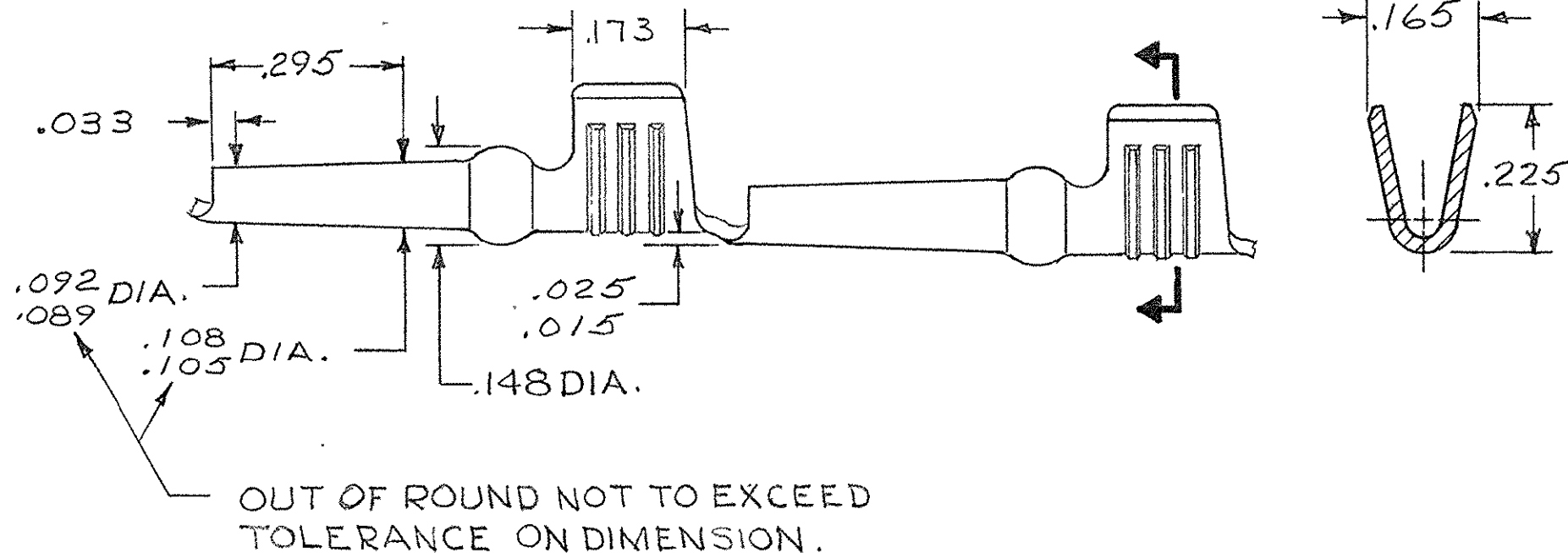
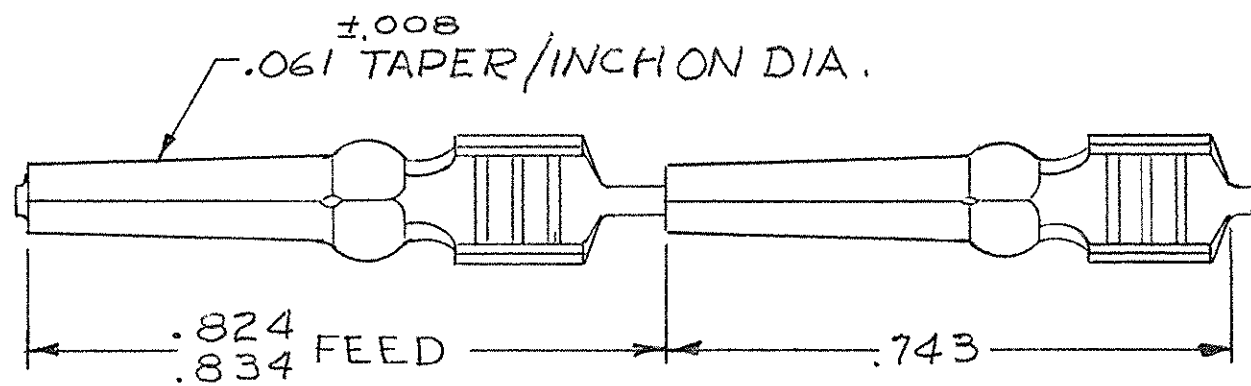


© 1960 BY AMP INCORPORATED. ALL RIGHTS RESERVED. AMP PRODUCTS COVERED BY PATENTS AND/OR PATENTS PENDING. APPROVED PER GOVT CONTRACT NO.

NUMBER 42107

REVISIONS

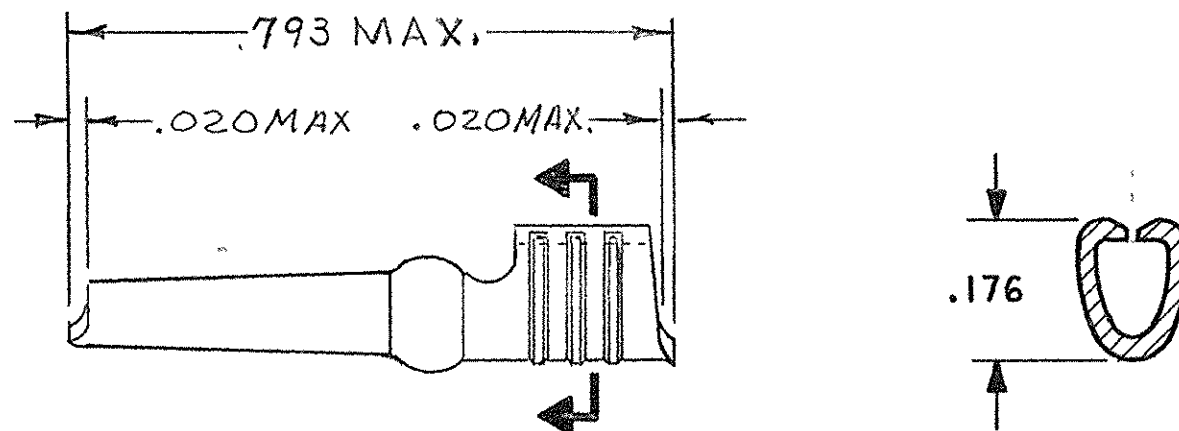
SYM	ZONE	DESCRIPTION	DATE	APPROVAL
E		REVISED & REDRAWN	7-981	8-863 JK
F		OBSOLETE 42107-1 & 42279-4	2102 DR	5-11-69 D.H.
G		PRINT DIST WAS "39" LOC WAS "AB"	3347	10-72 CO
H		REVISED WORDING IN TABLE & NAME	468	1-13-77 DSA
J		.0001 BRIGHT TIN WAS .0002 TIN ON 42107-2	EA 1049	1-3-79 DJH
K		REVISED PLATING	EA 1515	8-1-80 DS
L		BRIGHT TIN-LEAD WAS BRIGHT TIN	EA 1818	6-16-81 DS
M		REVISED GOLD PLATING	EA 2139	6-16-82 DS
N		.176 WAS .175, REVISED PICTURE	ECN S3056	4-29-85 JM
P		OBS 42279-3	ECN S3379	11-24-86 R & R
R		OBS 42107-4	ECN S3733	4-14-87 R & R
R		OBS 42279-2	ECN S3940	4-28-87 R & R
S		REVISED PER OH14-0139-05		1-25-06 PY RJ



OUT OF ROUND NOT TO EXCEED TOLERANCE ON DIMENSION.

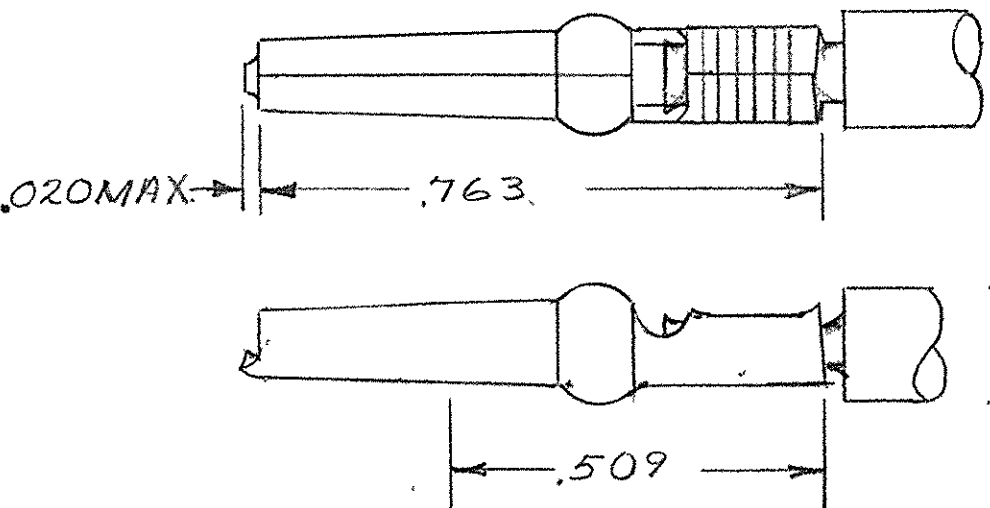
STRIP

⚠ OBSOLETE PART NO.



LOOSE PIECE

5-42107-2	5-42279-1	12-14	.0000 MATTE TIN	380306-8	47689	#12-113 #14-102
OBSOLETE 42107-1	42279-4	12-14	PLAIN	380306-8	47689	#12-113 #14-102
OBSOLETE 42107-4	42279-3	12-14	.00003 GOLD OVER .00005 NICKEL	380306-8	47689	#12-113 #14-102
42107-3	42279-2	12-14	.0002 SILVER	380306-8	47689	#12-113 #14-102
42107-2	42279-1	12-14	.0001 BRIGHT TIN-LEAD	380306-8	47689	#12-113 #14-102
STRIP PART NO.	LOOSE PIECE PART NO.	WIRE SIZE	FINISH	INSERT TOOL	HAND TOOL	CRIMP HEIGHT



MAX. INSTALLED EXTENSION CRIMPED VERSION

M 3	INFO	QTY REQD	NOMENCLATURE OR DESCRIPTION	PART OR IDENTIFYING NO	
S	12				
LIST OF MATERIALS OR PARTS LIST					
UNLESS OTHERWISE SPECIFIED DIMENSIONS ARE IN INCHES TOLERANCES ON			SIGNATURE		DATE
FRACTIONS	DECIMALS	ANGLES	DR <i>J. Kaufman</i>		8-12-63
±	±	±	CHK <i>J. Kaufman</i>		8-18-63
MATERIAL			DSGN ENGR <i>R.G. Hollett</i>		8-14-63
.025 COML. BRASS			APPD <i>[Signature]</i>		8/14/63
HEAT TREAT			DSGN APPD		
FINISH			OTHER APPD		
SEE TABLE			CODE IDENT NO		SIZE
			00779		C
			NUMBER		42107
SCALE 4-1			WT		CALC
			ACTUAL		SHEET 1 OF 1

AMP INCORPORATED HARRISBURG, PENNSYLVANIA

PIN, TAPER, 88 SERIES, NON-INSULATION SUPPORT