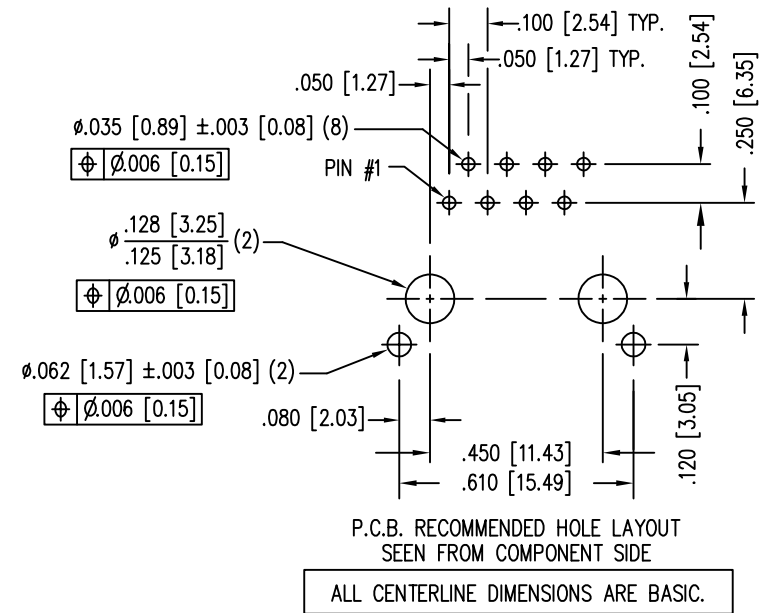
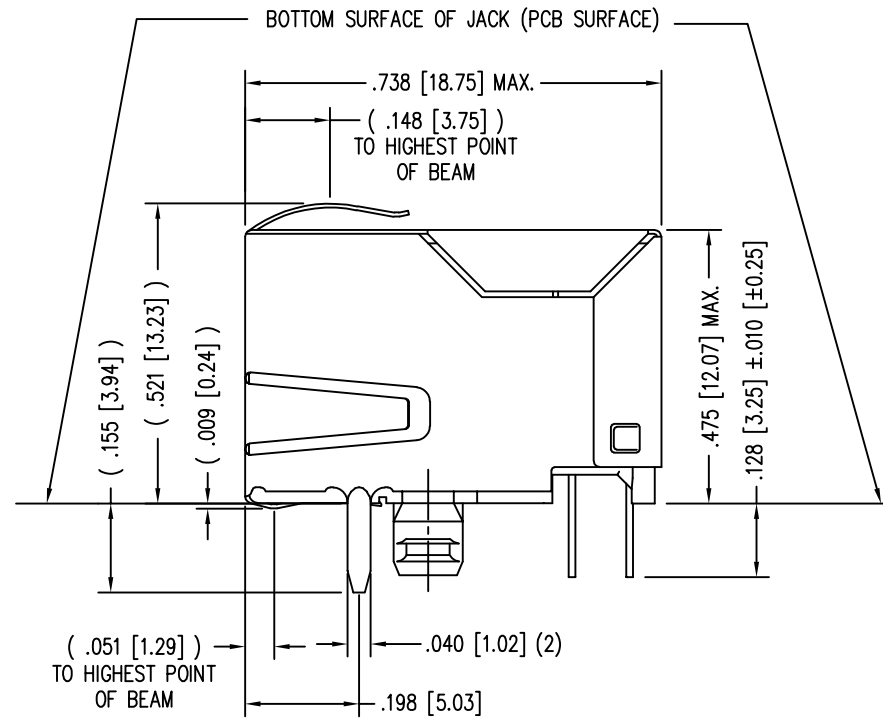
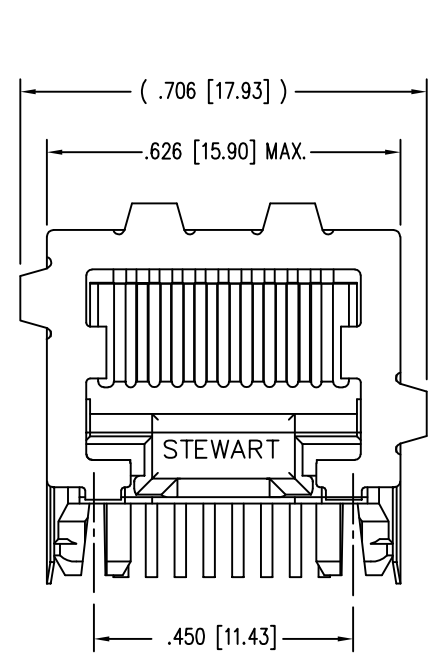
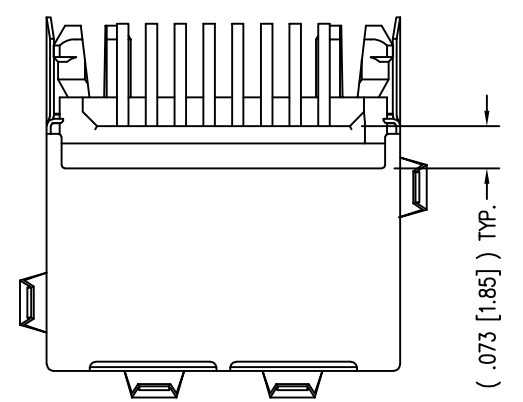
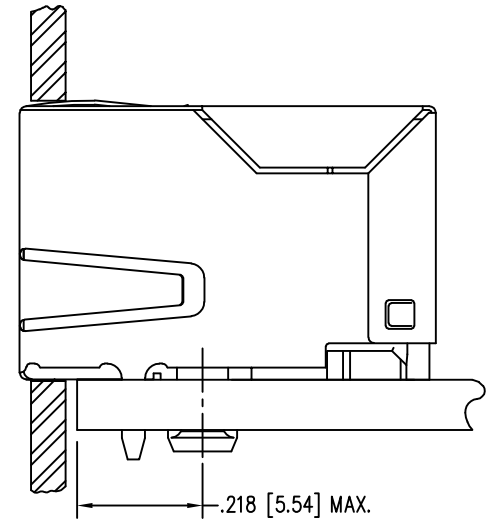
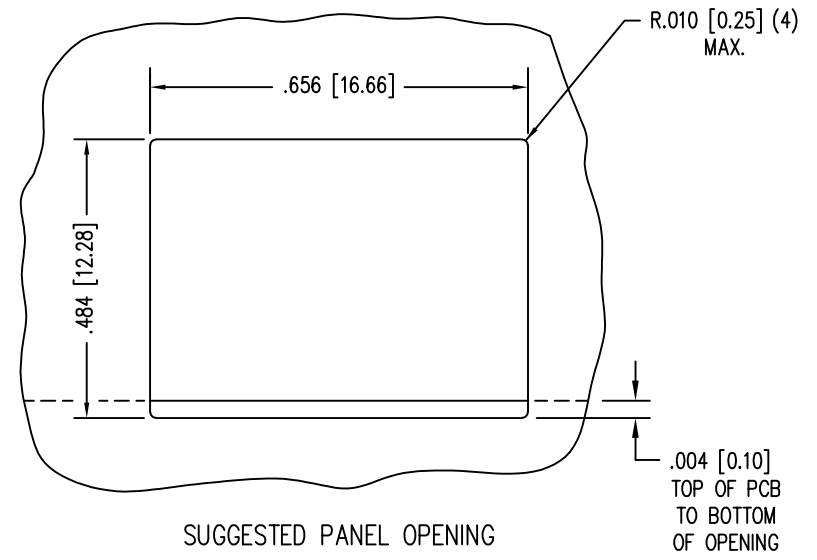
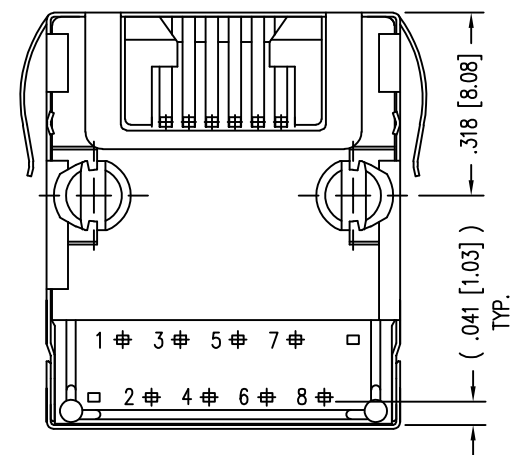


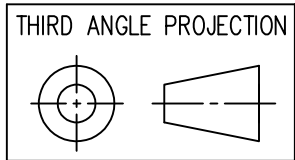
| DATE | REV | ECN | APP'D. BY |
|---------|-----|-------|-----------|
| 3-16-16 | A5 | 10627 | TRM |
| 3-27-18 | A6 | 11217 | TRM |
| | | | |
| | | | |



- NOTES:
- CONNECTOR MATERIALS:
HOUSING: THERMOPLASTIC UL94 V-0
CONTACTS/SHIELD: COPPER ALLOY
SHIELD PLATING: PRE-PLATED TIN
CONTACT PLATING: SELECTIVE GOLD IN CONTACT AREA
SEE CHART FOR PART NUMBER
 - FOR PRODUCT SPECIFICATIONS SEE PR022-01.
 - RATED AT MAX. 260°C FOR MAX. 10 SECS.
 - DIMENSIONS AND TOLERANCES COMPLY WITH TIA-1096 STANDARD.
 - THE SUGGESTED PANEL OPENING IS INTENDED TO GIVE USER THE ABILITY TO HAVE REASONABLE JACK/PANEL CLEARANCES, YET MAINTAIN GROUNDING CAPABILITY. THESE VARIABLES CAN BE ADJUSTED IN EITHER DIRECTION BUT MAY CARRY SOME CONSEQUENCES IN THE FORM OF LOWER MATING FORCES OR TIGHTER ASSEMBLY TOLERANCES.



| | |
|--------------------------------|--------------|
| 50 MICRO-INCHES [1.27um] | SS70100-001F |
| CONTACT PLATING IN MATING AREA | PART NUMBER |



1118 Susquehanna Trail South
Glen Rock, PA 17327-9199
(717) 235-7512
<http://www.stewartconnector.com>

DO NOT SCALE DRAWING
DRAWING IS SUBJECT TO CHANGE WITHOUT NOTICE
DIMENSIONS: INCHES [METRIC]
UNLESS OTHERWISE SPECIFIED TOLERANCES ARE ±.005 [0.13] ANGLES ARE ± 1°
SHEET NO. 1 OF 1

TITLE: EIGHT CONTACT, TEN POSITION, SHIELDED MICRO JACK WITH DOUBLE THICKNESS OF POLYIMIDE FILM UNDER SHIELD
DRN BY: TRM DATE 12-6-07
APPD BY: DHG DATE 12-6-07
DWG NO. CT700035F REV. A6

