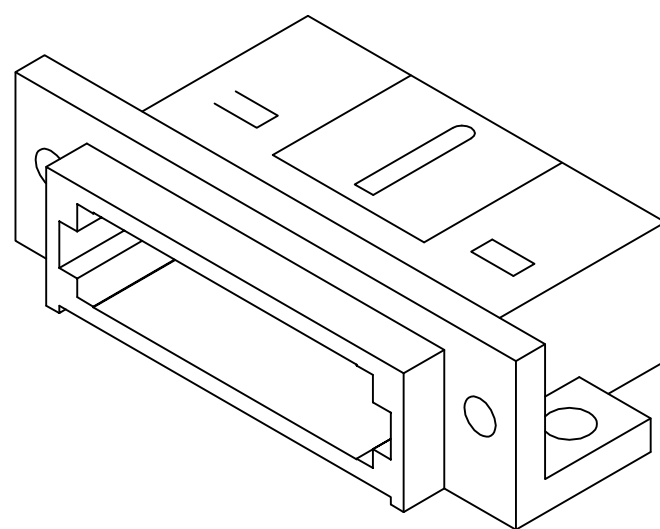
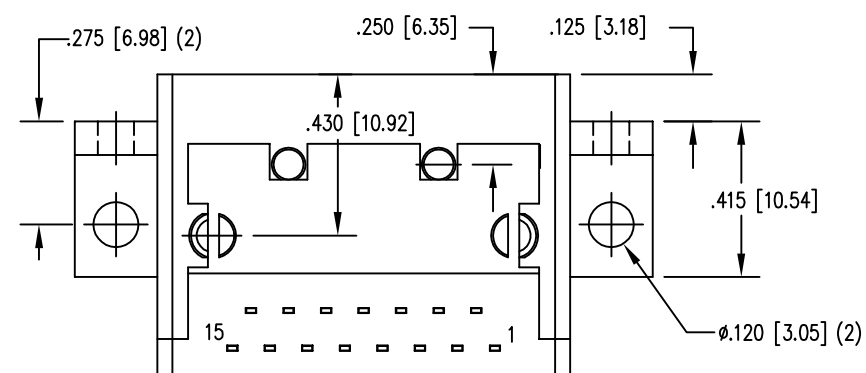
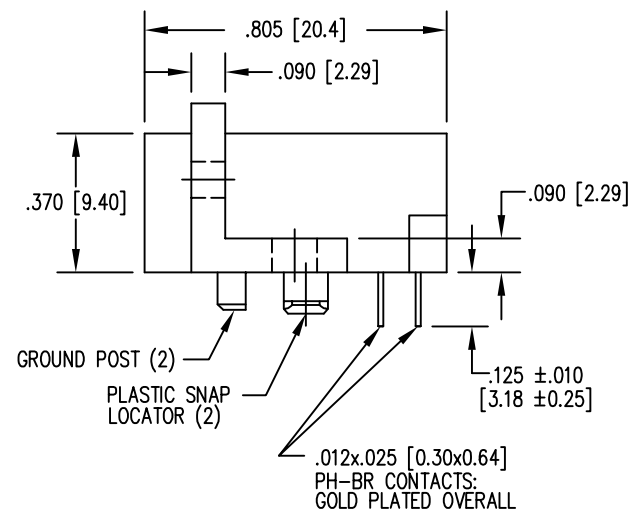
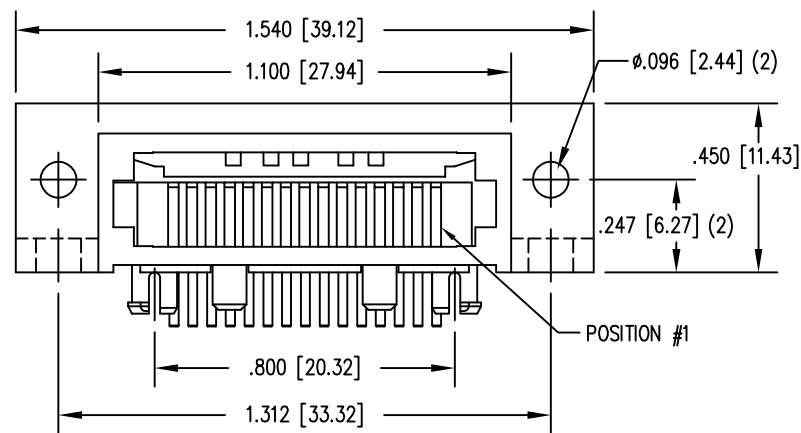


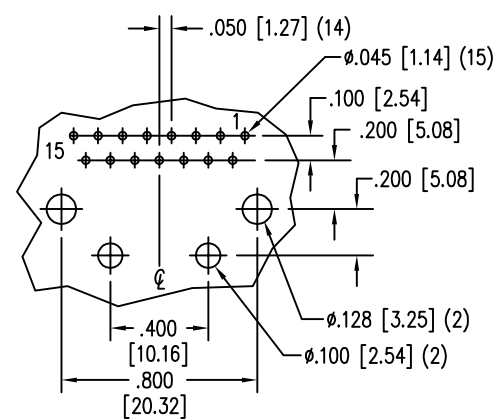
DATE	REV	ECN	APP'D. BY
9/28/15	A7	10429	SMN
3-28-16	A8	10634	TRM



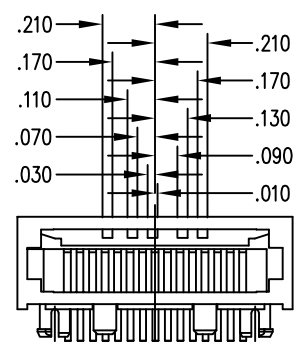
NOTES:

- CONNECTOR MATERIALS:
HOUSING: THERMOPLASTIC UL94 V-0
CONTACTS/SHIELD: COPPER ALLOY
SHIELD PLATING: NICKEL OR TIN
CONTACT PLATING: SELECTIVE GOLD IN CONTACT AREA
SEE CHART FOR PART NUMBER
- FOR PRODUCT SPECIFICATIONS SEE PR026-01.

	SS-61150-005
	ROI PART NUMBER
30 MICRO-INCHES [0.76um]	SS-611515-TLF-P-26-4/6
CONTACT PLATING IN MATING AREA	LONG PART NUMBER

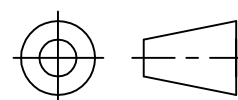


PC BOARD TOP VIEW



DIMENSIONS FOR KEY-26

THIRD ANGLE PROJECTION



DO NOT SCALE DRAWING
DRAWING IS SUBJECT TO
CHANGE WITHOUT NOTICE

DIMENSIONS: INCHES [METRIC]
UNLESS OTHERWISE SPECIFIED
TOLERANCES ARE ±.005 [0.13]
ANGLES ARE ± 1°

SHEET NO. 1 OF 1



1118 Susquehanna Trail South
Glen Rock, PA 17327-9199
(717) 235-7512

<http://www.stewartconnector.com>

TITLE: 15X15 COMPU-SHIELD JACK FINAL ASSY, FLANGED, KEYED,
#4-40 TAP ON Ø .096 HOLES AND #6-32 ON Ø .120 HOLES.

THIS DRAWING AND THE SUBJECT MATTER SHOWN THEREON
ARE CONFIDENTIAL AND THE PROPRIETARY PROPERTY OF
STEWART CONNECTOR AND SHALL NOT BE REPRODUCED,
COPIED, OR USED IN ANY MANNER WITHOUT PRIOR WRITTEN
CONSENT OF STEWART CONNECTOR. ONE OR MORE U.S. PATENTS
MAY APPLY TO THIS PRODUCT. FOR DETAILS, PLEASE
VISIT: [HTTP://BELFUSE.COM/STEWART/STEWART_PATENTS/](http://BELFUSE.COM/STEWART/STEWART_PATENTS/)

DRN BY:	B.K.	DATE	6-19-95
APPD BY:	J.W.	DATE	6-23-95
DWG NO.	CT610028	REV.	A8

