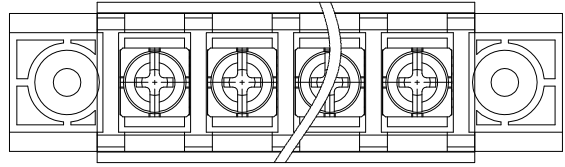
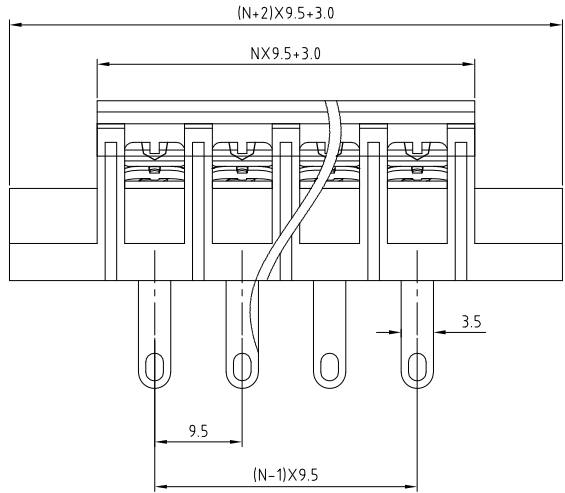


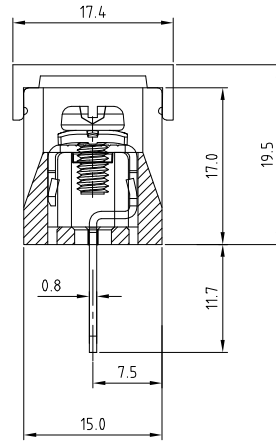
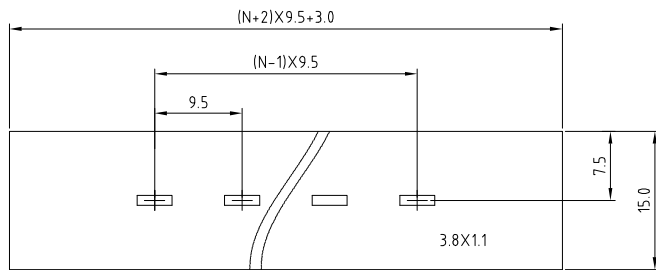
Transfer or duplication of this document as well as the utilisation or communication of its content are not permitted unless express consent is granted. Violations give rise to claims for damages. All rights reserved in case of patent, utility model or design patent registrations.



N=Number of contacts



P.C.B LAYOUT



Technical Data:

Electrical

- Pitch: 9.5mm
- Voltage rating: 300 V
- Current rating: 20 Amps
- Contact resistance: 20mΩ(max)
- Withstanding Voltage: 2500VAC(1min) Test time=60sec/1pcs
- Wire range: 14-22 AWG

Mechanical:

- Torque: 12kgf.cm/M3.5
- Operating temperature: -40°C to +105°C
- Soldering temperature
- Temperature: 250°C±10°C /5 seconds max
- Safety approval (pending):
- RoHS Compliance

Part No.: **OSTYK505XX130**

- No. of Poles
- 02 2 Poles
 - 03 3 Poles
 -
 - 24 24 Poles

| 4 | Cover | PC | | | 1 |
|------|--------------|--|---------------|------------|-----|
| 3 | Screw | Steel / M3.5 | Ni plated | | 1xN |
| 2 | Terminal | Copper Alloy | Tin plated | | 1xN |
| 1 | Body | PBT+15%GF | | | 1 |
| ITEM | NAME OF PART | MATERIAL | NOTES | Q'TY | |
| DWG. | DATE | UNITS: MM | SHEET: 1 OF 1 | Tolerance | |
| CHK. | DATE | SCALE: NONE 1:1 (:) | REV.: A | X.X ±0.50 | |
| APP. | DATE | TITLE: OSTYK-505 SERIES 9.5MM WITH FLANGE & WITH COVER | | X.XX ±0.30 | |
| | | PART NO. OSTYK505XX130 | | X* ±1° | |
| | | DWG NO. OSTYK505XX130.DWG | | | |

| REV | SIGN | DESCRIPTION | CHK. | DATE |
|-----|------|-------------|------|------|
| | | | | |



ON-SHORE TECHNOLOGY, INC.