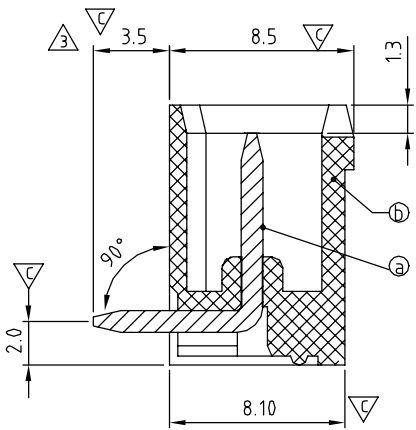


RECOMMENDED PCB LAYOUT



N = Number of poles
 Dim A = $N \times 5.0 + 2.0$
 Dim B = $(N - 1) \times 5.0$

Poles	Dim A	Dim B
2-6p	± 0.20	± 0.15
7-12p	± 0.25	± 0.20
13-18p	± 0.30	± 0.25
19-24p	± 0.35	± 0.30

SIGN	DATE	DESCRIPTION	APPROVER
△	8/16'06	Added VDE and TUV standard	Steady
△	8/16'06	Current rating (cULus) changed from 10A to 20A	Steady
△	1/19'07	Dimension changed from 4.0 to 3.5	Tony
△	1/19'07	Soldering temperature changed from 245° to 250°	Tony
△	12/17'08	Add the tolerance table	Jacke
△	2009.10.21	The material is changed from Brass to Copper	Jacke
△	2009.10.21	The operating temperature is changed	Jacke
△	2010.05.29	The design is changed	Jacke
△	2012.12.03	Update the drawing	Chen Bo

THIS IS CAD DRAWING, DO NOT REVISE MANUALLY!!!

Material:

- Item ⑥ Male contact pin: Copper Tin plated
- Item ⑥ Terminal(housing): Thermoplastic (UL94V-0)

- ① Electrical: cULus /VDE /TUV
- Voltage rating: 300V/300V/300V
- ② ● Current rating: 20A/20A/20A
- Withstanding Voltage: 1.6 KV/2.5KV/2.5KV
- ⑦ ● Operating temperature: -40°C to +115°C
- ⑨/④ ● Soldering temperature: 260°C±5°C/5 Sec
- Safety Approval:
- Critical dimension:

OQ xx 7 1 x 1 xxxx G

- No. OF POLES
- 02: 2 POLES
- :
- 24: 24 POLES
- ⑨
- G RoHS compliant (lead<4%) In copper Alloy
- 0000: "@ " Logo (Standard)
- 000A: "ANYTEK" Mark
- Any special item by customer request. please contact sales department.
- 0 Black (RAL9005)
- 2 Red (RAL3001/D)
- 3 Orange(RAL2011/P)
- 4 Yellow(RAL1018/A)
- 5 Green(RAL6018/T)
- 6 Blue (RAL5015/A)
- 8 Grey(RAL7035/D)
- 9 White(RAL1102)
- C Green(RAL6018/U)

ANYTEK				CUSTOMER COPY					
ALL RIGHTS RESERVED. REPRODUCTION OR ISSUE TO THIRD PARTIES IN ANY FORM WHATEVER IS NOT PERMITTED WITHOUT WRITTEN AUTHORITY FROM THE PROPRIETOR. PROPERTY OF ANYTEK TECHNOLOGY CO., LTD									
TITLE		OQ 5.0mm 90° /Close Series 2p-24p				DWG NO.		80Q0504	
PART NO.		OQxx71x1xxxxG				CUST NO.			
APPROVED		CHECKED		DESIGNED		DRAWN		Tolerance	
				Chen Bo 12/03'12		Chen Bo 12/03'12		X. ±0.50	
								X.X ±0.30	
								X.XX ±0.10	
								X° ±1°	
						SHEET: 01/01		REV.: J	