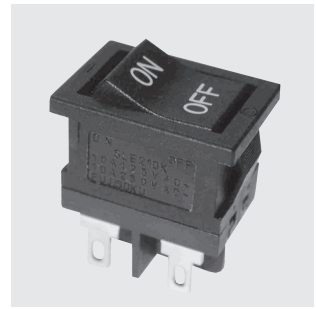


# SLE210K

Dust Proof



## Miniature Power Rocker Switches

C-US UL SEMKO

RoHS Compliant

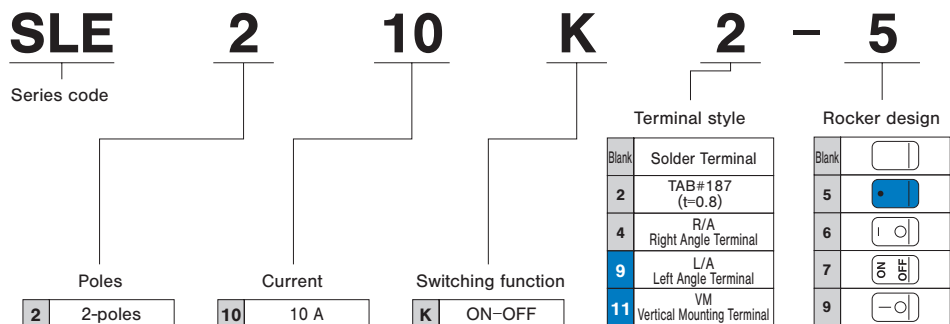
### Features

1. C-US UL and SEMKO approved products
2. Snap-in panel mounting
3. Compact size is suited for space-saving design.
4. Best suited for power supply of equipment.
5. Dust-proof type
6. 100 A rush current type.
7. Breaking distance is 3 mm or over.

### Specifications

Rating	Load	Inductive load				Resistive load
		125VAC		250VAC		
Inrush current (p.f.=0.6)	Break current (p.f.=0.9)	100A	60A	100A	60A	10A 125VAC 10A 250VAC (p.f.=1.0)
		10A	10A	10A	10A	
Min.		10mA 5VAC/DC				(Resistive load)
C-US UL		125VAC 6A /250VAC 6A				(Resistive load)
Initial contact resistance		20mΩ max.				(1A 1~2VDC)
Initial dielectric strength		1500VAC 1 minute				
Initial insulation resistance		100MΩ min.				(500VDC)
Electrical life (cycles)		5,000	10,000	5,000	10,000	10,000
Operating force		3.92~12.7N				
Operating temperature range		-25~+85°C				
Storage temperature range		-40~+85°C				

### Part Numbering



### Marking Color

Frame color•Rocker color	Making color
Black	White

### Handling Precautions

#### 1. Soldering Specifications

##### (1) Manual Soldering

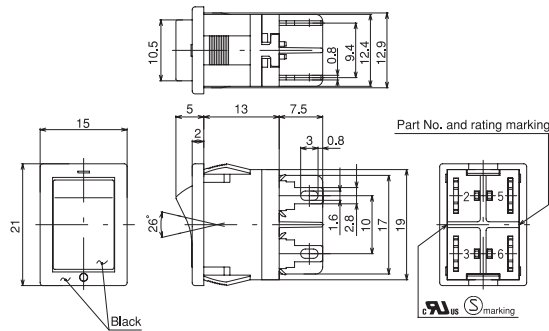
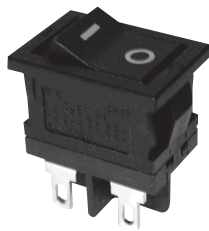
Device : Soldering iron  
380°C, Max.; 3 seconds, Max.

※The tab terminals cannot be soldered.

Table of Part Numbers

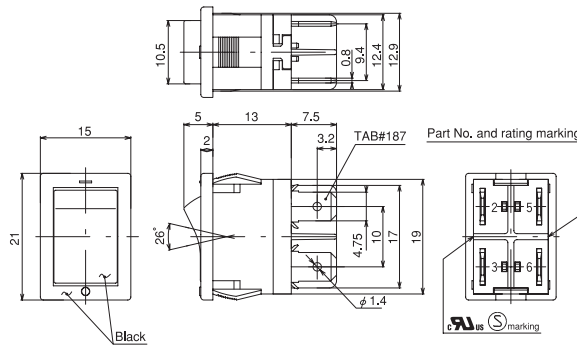
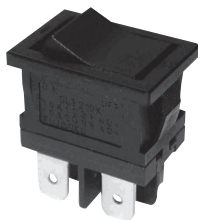
Frame color and rocker color	Marking color	Switching function	Terminal styles	Part number and rating marking side				
Black	White	ON-OFF	Solder terminal	☆SLE210K	★SLE210K-5	SLE210K-6	★SLE210K-7	SLE210K-9
			#187 TAB	SLE210K2	SLE210K2-5	SLE210K2-6	SLE210K2-7	SLE210K2-9
			Right Angle Terminal	★SLE210K4	-	☆SLE210K4-6	★SLE210K4-7	-
			Left Angle Terminal	-	★SLE210K9-5	-	★SLE210K9-7	★SLE210K9-9
			Vertical Mounting Terminal	-	-	★SLE210K11-6	-	-

Solder terminal

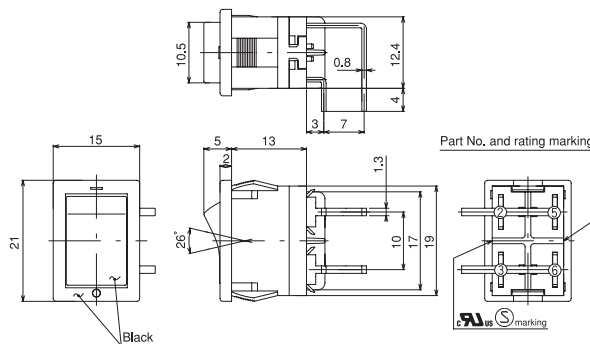
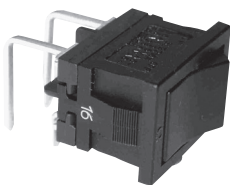


Part No.	Switching function	
	Viewed from part No. & rating marking side	
Part No.		
Switching function	ON	OFF
Connecting terminals	2-3 5-6	-

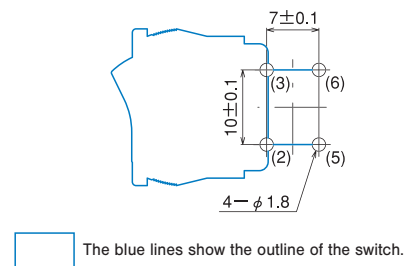
TAB#187 Terminal



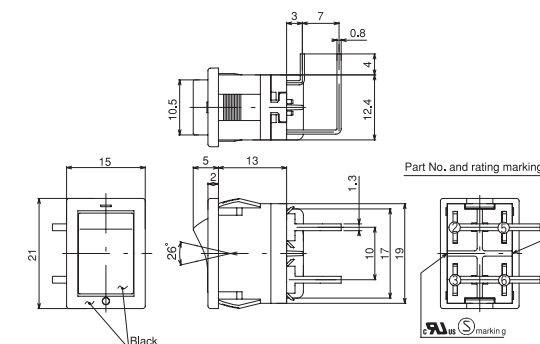
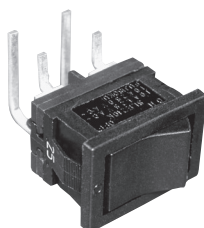
Right Angle Terminal



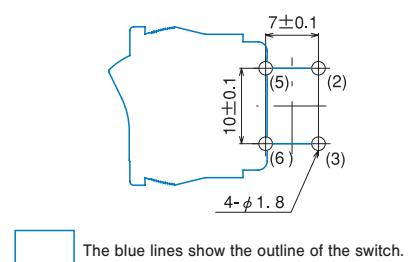
PC Hole Layouts (Top view)



Left Angle Terminal



PC Hole Layouts (Top view)



☆ : Semi-standard products.

★ : Made to order products.

● Terminal numbers are shown on the bottom of the switch.



**■ Precautions for Panel**

The edges on the back of the cut-out panel should be squared so that the switch box bites the panel firmly. When the panel is coated, pay attention that the coating will not retain around the edge. Do not reuse the switch that was once mounted on a panel.

