



UHF Female Connector Solder Attachment 4 Hole Flange
Mount Solder Cup Terminal, .718 inch Hole Spacing

RF Connectors
Technical Data Sheet

PE45478

Configuration

- UHF Female Connector
- 50 Ohms
- Straight Body Geometry
- Connector Interface Types: Solder Cup
- 4 Hole Flange

Features

- Gold Plated Brass Contact

Applications

- General Purpose Test
- Rack and Panel Mount Applications

Description

Pasternack's PE45478 UHF female 4 hole flange mount connector with Solder Cup terminal (.718 inch hole spacing) is part of our full line of RF components available for same-day shipping. This UHF 4 hole flange connector allows designers to create external connections on their product enclosures, and can be used in a variety of other rack mount and panel mount applications.

Our UHF female 4 hole flange connector PE45478 datasheet specifications and drawing with dimensions are shown below in this PDF. Pasternack's broad catalog of RF, microwave and millimeter wave connectors allows designers to configure and customize their signal connections however they like. Whether the need is to provide an I/O for a board design, or simply create a custom cable assembly configuration, Pasternack has the right connector for the job. Pasternack can also expertly build your custom cable assemblies for you and ship same-day.

Mechanical Specifications

Size

Length	1.036 in [26.31 mm]
Width/Dia.	1 in [25.40 mm]
Height	1 in [25.4 mm]
Weight	0.034 lbs [15.42 g]

Material Specifications

Description	Material	Plating
Contact	Brass	Gold
Insulation	POM	
Body	Zinc	Nickel

Click the following link (or enter part number in "SEARCH" on website) to obtain additional part information including price, inventory and certifications: [UHF Female Connector Solder Attachment 4 Hole Flange Mount Solder Cup Terminal, .718 inch Hole Spacing PE45478](#)



UHF Female Connector Solder Attachment 4 Hole Flange Mount Solder Cup Terminal, .718 inch Hole Spacing

RF Connectors Technical Data Sheet

PE45478

Environmental Specifications

Compliance Certifications (see [product page](#) for current document)

Plotted and Other Data

Notes:

UHF Female Connector Solder Attachment 4 Hole Flange Mount Solder Cup Terminal, .718 inch Hole Spacing from Pasternack Enterprises has same day shipment for domestic and International orders. Our RF, microwave and millimeter wave products maintain a 99.4% availability and are part of the broadest selection in the industry.

Click the following link (or enter part number in "SEARCH" on website) to obtain additional part information including price, inventory and certifications: [UHF Female Connector Solder Attachment 4 Hole Flange Mount Solder Cup Terminal, .718 inch Hole Spacing PE45478](#)

URL: <https://www.pasternack.com/uhf-female-solder-cup-terminal-connector-pe45478-p.aspx>

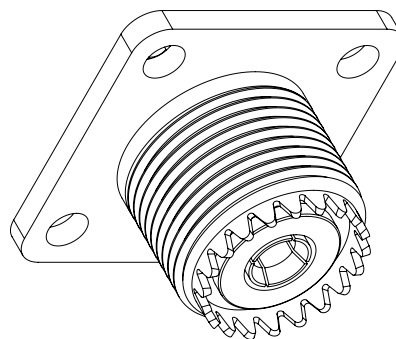
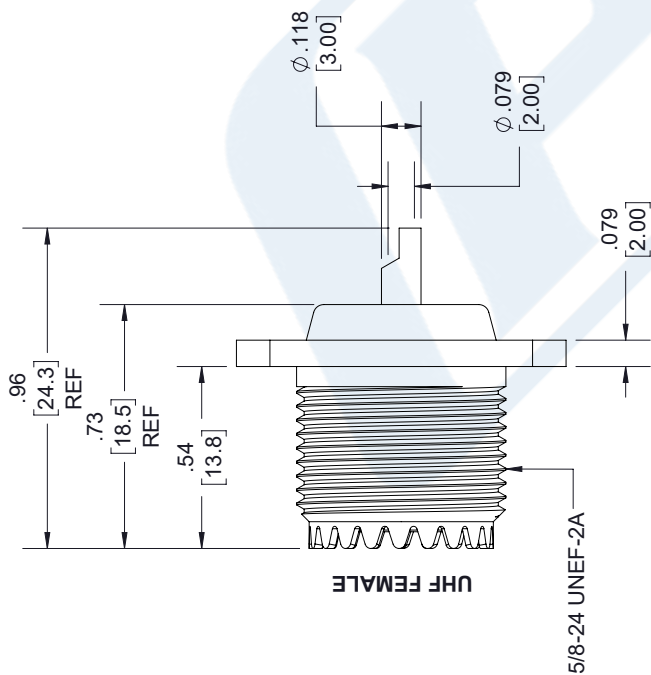
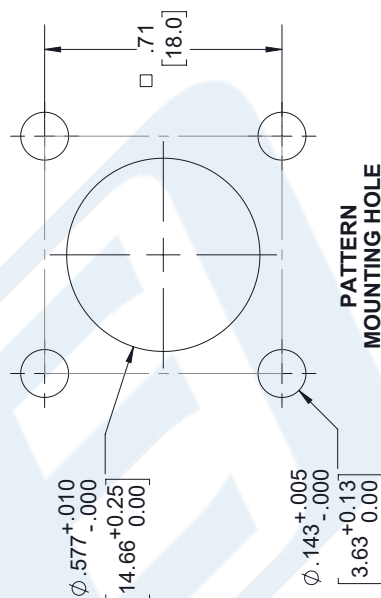
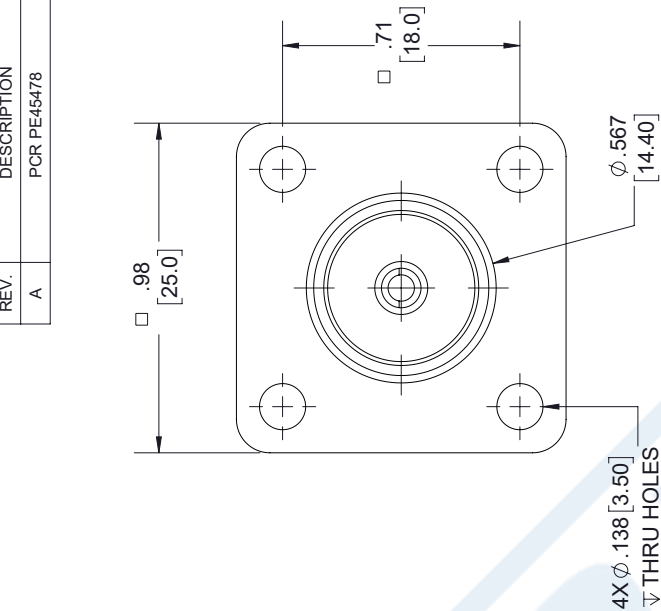
The information contained in this document is accurate to the best of our knowledge and representative of the part described herein. It may be necessary to make modifications to the part and/or the documentation of the part, in order to implement improvements. Pasternack reserves the right to make such changes as required. Unless otherwise stated, all specifications are nominal. Pasternack does not make any representation or warranty regarding the suitability of the part described herein for any particular purpose, and Pasternack does not assume any liability arising out of the use of any part or documentation.

PE45478 CAD Drawing

UHF Female Connector Solder Attachment 4 Hole Flange
Mount Solder Cup Terminal, .718 inch Hole Spacing

REVISIONS

REV.	DESCRIPTION	DATE	APPROVED
A	PCR PE45478	5/17/2021	S.ELLIS



UNLESS OTHERWISE SPECIFIED
LEADING DIMENSIONS ARE INCHES
DIMENSIONS IN [] ARE MILLIMETERS

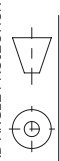
DECIMALS: .X = ±.2 [5.08]
.XX = ±.02 [.51]
.XXX = ±.005 [.13]

FRACTIONS: ± 1/32
ANGLES ± 1°
CABLE LENGTH (L) TOLERANCES:
L ≤ 12 [305] = +1 [25] / -0
12 [305] < L ≤ 60 [1524] = +2 [51] / -0
60 [1524] < L ≤ 120 [3048] = +4 [102] / -0
120 [3048] < L ≤ 300 [7620] = +6 [152] / -0
300 [7620] < L = +5% L / -0

TOLERANCES:

ALL DIMENSIONS SHOWN
ARE FOR REFERENCE ONLY.

THIRD-ANGLE PROJECTION



THE INFORMATION AND
DESIGN IN THIS DOCUMENT
IS THE PROPERTY OF
PASTERNAK CORPORATION
ALL RIGHTS RESERVED.

SHEET 1 OF 1

SCALE N/A

REV A



Pasternack Enterprises, Inc.
P. O. Box 16759, Irvine, CA 92623.
Phone: 1.949.261.1920 | 1.866.727.8376
Fax: 1.949.261.7451
Website: www.pasternack.com
E-mail: sales@pasternack.com

ITEM NO. PE45478

SIZE A

CAGE CODE 53919

DRAWN BY K.DANG

REV A

THESE COMMODITIES, TECHNOLOGY OR SOFTWARE WERE EXPORTED FROM THE UNITED STATES IN ACCORDANCE WITH THE EXPORT ADMINISTRATION REGULATIONS. DIVERSION CONTRARY TO U.S. LAW PROHIBITED.