

Relay socket base PRS, for miniature power relay with 1 CO contact, Screw connection, Plug-in option for input/suppression modules, Mounting type: Mounting rail TS 35

### Kaufmännische Daten

|  |   |
|--|---|
| Artikelnummer                              | <u>15135.2</u>                          |
| Artikelbezeichnung                         | PRS 1                                   |
| GTIN (EAN)                                 | 4044211046187                           |
| Packaging unit                             | 1                                       |
| Quantity unit                              | PC                                      |
| Weight per piece (not including packaging) | 33.7 g                                  |
| Weight per piece (including packaging)     | 38.2 g                                  |
| Unit of weight                             | G                                       |
| Customs number                             | 85366990                                |
| Country of origin                          | CN                                      |
| Product description                        | Relay socket base with screw connection |

### Technische Daten

#### Dimensions

|                            |         |
|----------------------------|---------|
| Length                     | 76 mm   |
| Width                      | 15.8 mm |
| Height TS 35 / 7.5 with BA | 46 mm   |

#### Ratings

|                      |     |
|----------------------|-----|
| Overvoltage category | III |
| Contamination degree | 2   |

#### Connection data

|  |                     |
|--|---------------------|
| Connection principle                                     | Screw connection    |
| Wire cross-section single core (rigid), min.             | 0.2 mm <sup>2</sup> |
| Wire cross-section single-core (rigid), max.             | 2.5 mm <sup>2</sup> |
| Wire cross-section stranded, min.                        | 0.2 mm <sup>2</sup> |
| Wire cross-section stranded, max.                        | 2.5 mm <sup>2</sup> |
| Wire cross-section stranded with wire-end ferrules, min. | 0.2 mm <sup>2</sup> |
| Wire cross-section stranded with wire-end ferrules, max. | 2.5 mm <sup>2</sup> |
| Stripping length   | 8 mm                |
| Torque   | 0.8 Nm              |

#### Output data

|   |               |
|---|---------------|
| Switching voltage / switching voltage max.    | 230 / 400 VAC |
| Continuous current max. / Inrush current max. | 12 A          |
| Contact configuration                         | 1 CO contact  |

#### Materials

|                           |        |
|---------------------------|--------|
| Flammability class UL 94  | V-0    |
| Working temperature, min. | -25 °C |
| Working temperature, max. | 80 °C  |

#### Further technical data

|                                    |        |
|------------------------------------|--------|
| Degree of protection               | IP20   |
| Insulation voltage coil/contact    | 4 kV   |
| Insulation voltage contact/contact | 1 kV   |
| Pinning                            | 3.5 mm |

---

### Technische Daten

---

#### Environmental Product Compliance

---

|                                |            |
|--------------------------------|------------|
| REACH Conform                  | yes        |
| REACH Reference date           | 2023-06-14 |
| REACH Candidate Substance Note | No         |
| RoHS Conform                   | yes        |

---

---

### Zulassungen

---

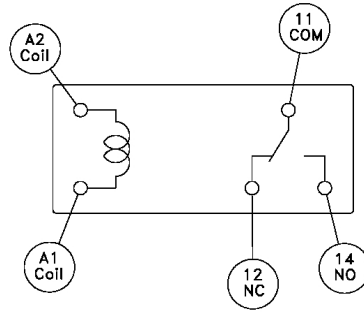
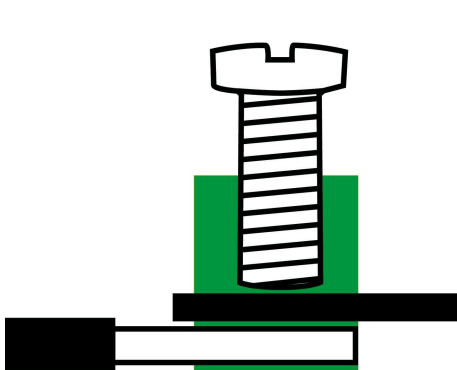
#### Standards and regulations

---

|              |     |
|--------------|-----|
| CE compliant | yes |
|--------------|-----|

---

### Medien



### Zubehör

#### Holding clamp



Relay holding clip, With eject, Suitable for relay socket base PRS 1 and PRS 2, for miniature power relays

| Artikelnummer  | Artikelbezeichnung | GTIN (EAN)    | VPE  |
|----------------|--------------------|---------------|------|
| <u>15138.2</u> | PRS C1/2           | 4044211046217 | 1 ST |



Relay holding clip, With eject, Suitable for relay socket base PRS 1 and PRS 2, for industrial relay XT

| Artikelnummer  | Artikelbezeichnung | GTIN (EAN)    | VPE   |
|----------------|--------------------|---------------|-------|
| <u>16016.2</u> | PRSXT C1/2         | 4044211145217 | 20 ST |

#### Insert modules



Insertion module, Suitable for relay socket base PRS, LED red status display, With free-wheel diode

| Artikelnummer  | Artikelbezeichnung | GTIN (EAN)    | VPE  |
|----------------|--------------------|---------------|------|
| <u>15141.2</u> | PRS LED(RD) 24V DC | 4044211046231 | 1 ST |



Insertion module, Suitable for relay socket base PRS, LED red status display

| Artikelnummer  | Artikelbezeichnung  | GTIN (EAN)    | VPE  |
|----------------|---------------------|---------------|------|
| <u>15142.2</u> | PRS LED(RD) 230V AC | 4044211046255 | 1 ST |



Insertion module, Suitable for relay socket base PRS, LED red status display

| Artikelnummer  | Artikelbezeichnung | GTIN (EAN)    | VPE  |
|----------------|--------------------|---------------|------|
| <u>15175.2</u> | PRS LED(RD) 24V UC | 4044211046521 | 1 ST |



Insertion module, Suitable for relay socket base PRS, LED red status display, With free-wheel diode

| Artikelnummer  | Artikelbezeichnung  | GTIN (EAN)    | VPE  |
|----------------|---------------------|---------------|------|
| <u>15422.2</u> | PRS LED(RD)/110V DC | 4044211104306 | 1 ST |

### Insert modules

Plug-in module, Suitable for relay socket base PRS, RC element, Input voltage: 24 VAC

| Artikelnummer           | Artikelbezeichnung | GTIN (EAN)    | VPE  |
|-------------------------|--------------------|---------------|------|
| <a href="#">15808.2</a> | PRS RC 24V AC      | 4044211135201 | 1 ST |

Plug-in module, Suitable for relay socket base PRS, RC element, Input voltage: 240 VAC

| Artikelnummer           | Artikelbezeichnung | GTIN (EAN)    | VPE  |
|-------------------------|--------------------|---------------|------|
| <a href="#">15809.2</a> | PRS RC 240V AC     | 4044211135218 | 1 ST |



Insertion module, Suitable for relay socket base PRS, LED red status display, With varistor

| Artikelnummer           | Artikelbezeichnung       | GTIN (EAN)    | VPE  |
|-------------------------|--------------------------|---------------|------|
| <a href="#">15810.2</a> | PRS LED(RD) 230V UC Var. | 4044211135225 | 1 ST |



Insertion module, Suitable for relay socket base PRS, LED red status display, With varistor

| Artikelnummer           | Artikelbezeichnung      | GTIN (EAN)    | VPE  |
|-------------------------|-------------------------|---------------|------|
| <a href="#">16070.2</a> | PRS LED(GN) 24V UC Var. | 4044211146078 | 1 ST |

### Cross-connector



External cross-connector insulated, for relay socket base PRS 1 and PRS 2/6-pole, can be shortened, Voltage: 250 V, Current 10 A

| Artikelnummer           | Artikelbezeichnung | GTIN (EAN)    | VPE   |
|-------------------------|--------------------|---------------|-------|
| <a href="#">15779.2</a> | AQI/PRS/8 BK       | 4044211134006 | 20 ST |

### Screwdriver



Screwdriver with bare blade, Colour: Black-grey

| Artikelnummer          | Artikelbezeichnung | GTIN (EAN)    | VPE  |
|------------------------|--------------------|---------------|------|
| <a href="#">1086.0</a> | SDB 0,6x3,5        | 4044211014797 | 1 ST |

### Relays



Plug-in miniature power relay, Encapsulated design with power contact, 1 CO contact, Input voltage: 115 VAC

| Artikelnummer  | Artikelbezeichnung | GTIN (EAN)    | VPE  |
|----------------|--------------------|---------------|------|
| <u>15228.2</u> | PRS 1/115V AC      | 4044211046705 | 1 ST |



Plug-in miniature power relay, Encapsulated design with power contact, 1 CO contact, Input voltage: 60 VDC

| Artikelnummer  | Artikelbezeichnung | GTIN (EAN)    | VPE  |
|----------------|--------------------|---------------|------|
| <u>15539.2</u> | PRS 1/60V DC       | 4044211117900 | 1 ST |



Plug-in miniature power relay, Encapsulated design with power contact, 1 CO contact, Input voltage: 5 VDC

| Artikelnummer  | Artikelbezeichnung | GTIN (EAN)    | VPE  |
|----------------|--------------------|---------------|------|
| <u>16076.2</u> | PRS 1/5V DC        | 4044211171179 | 1 ST |



Plug-in industrial relays with power contacts, 1 CO contact, Test button, Status LED, Mechanical switching position indicator, Input voltage: 230 VAC

| Artikelnummer  | Artikelbezeichnung | GTIN (EAN)    | VPE   |
|----------------|--------------------|---------------|-------|
| <u>16085.2</u> | PRSXT 1/230V AC    | 4044211171544 | 10 ST |



Plug-in miniature power relay, Encapsulated design with power contact, 1 CO contact, Input voltage: 24 VDC

| Artikelnummer | Artikelbezeichnung | GTIN (EAN)    | VPE  |
|---------------|--------------------|---------------|------|
| <u>6804.0</u> | PRS 1/24V DC       | 4044211076009 | 1 ST |



Plug-in miniature power relay, Encapsulated design with power contact, 1 CO contact, Input voltage: 110 VDC

| Artikelnummer  | Artikelbezeichnung | GTIN (EAN)    | VPE  |
|----------------|--------------------|---------------|------|
| <u>15540.2</u> | PRS 1/110V DC      | 4044211117917 | 1 ST |



Plug-in industrial relays with power contacts, 1 CO contact, Test button, Status LED, Free-wheel diode, Mechanical switching position indicator, Polarity A1+, A2-, Input voltage: 24 VDC

| Artikelnummer  | Artikelbezeichnung | GTIN (EAN)    | VPE   |
|----------------|--------------------|---------------|-------|
| <u>16083.2</u> | PRSXT 1/24V DC     | 4044211171520 | 10 ST |





Plug-in industrial relays with power contacts, 1 CO contact, Test button, Status LED, Mechanical switching position indicator, Input voltage: 24 VAC

| Artikelnummer  | Artikelbezeichnung | GTIN (EAN)    | VPE   |
|----------------|--------------------|---------------|-------|
| <u>16084.2</u> | PRSXT 1/24V AC     | 4044211171537 | 10 ST |



Plug-in miniature power relay, Encapsulated design with power contact, 1 CO contact, Input voltage: 24 VAC

| Artikelnummer | Artikelbezeichnung | GTIN (EAN)    | VPE  |
|---------------|--------------------|---------------|------|
| <u>6480.2</u> | PRS 1/24V AC       | 4044211074197 | 1 ST |



Plug-in miniature power relay, Encapsulated design with power contact, 1 CO contact, Input voltage: 230 VAC

| Artikelnummer | Artikelbezeichnung | GTIN (EAN)    | VPE  |
|---------------|--------------------|---------------|------|
| <u>6481.2</u> | PRS 1/230V AC      | 4044211074203 | 1 ST |