

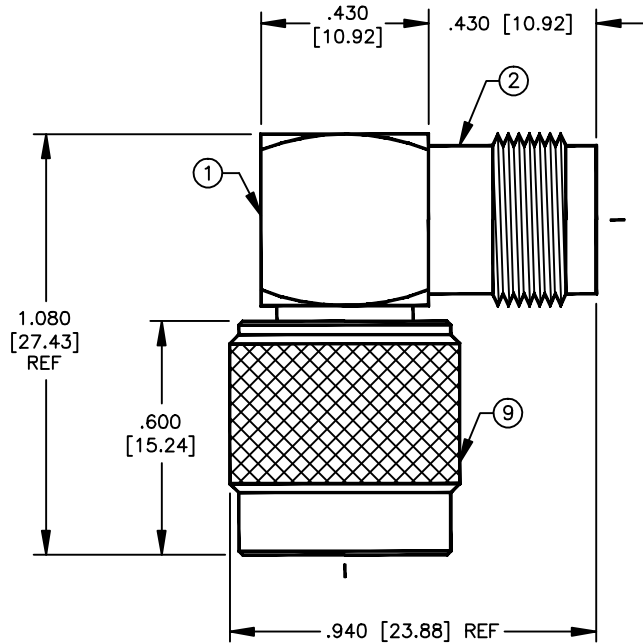
# SPECIFICATION CONTROL DRAWING

THIS DRAWING CONTAINS INFORMATION PROPRIETARY TO RF INDUSTRIES, LTD. ANY UNAUTHORIZED USE OF THIS DRAWING IS EXPRESSLY PROHIBITED. ANY VIOLATION IS PUNISHABLE UNDER U.S. COPYRIGHT LAWS.

REV	DESCRIPTION	DWN	DATE	APPROVED
A	ENGINEERING RELEASE	PB	10/8/92	J. BENZ
B	CREATE SECTION DRAWING	KMM	6/30/94	R. RICE
C	CHANGE & ADD PIN, CONTACT, BODY & PRESS-FIT BODY DIMS	CZS	9/21/98	R. RICE

ALL DIMENSIONS ARE REFERENCE ONLY

000000



## SPECIFICATIONS:

IMPEDANCE: 50 OHMS  
 WORKING VOLTAGE: 500 VRMS @ SEA LEVEL  
 FREQUENCY RANGE: 0-7 GHz

DIMENSIONS ARE IN INCHES AND [MILLIMETERS]

UNLESS OTHERWISE NOTED TOLERANCES ARE:  
 DECIMALS DIAMETER

ITEM	DESCRIPTION	QTY	MATERIAL	FINISH
9	SHELL	1	BRASS	NICKEL
8	RETAINING RING	1	BRASS	NONE
7	GASKET	1	S.I. RUBBER	RED
6	DIELECTRIC	1	PTFE	NONE
5	DIELECTRIC	1	PTFE	NONE
4	PIN	1	BRASS	GOLD
3	CONTACT	1	BRASS	GOLD
2	PRESS FIT BODY	1	BRASS	NICKEL
1	BODY	1	BRASS	NICKEL

DRAWN C. ZUNIGA	9/21/98
CHECKED	
ORJ DRAWN P. BREAUX	10/8/92
APPROVALS	DATE

*RFconnectors*

DIVISION OF RF INDUSTRIES, LTD.

7610 MIRAMAR RD  
 SAN DIEGO, CA 92126  
 (619)549-6340  
 (619)549-6345 FAX

## RFT-1227

TNC MALE TO TNC FEMALE R/A

SIZE A	CABLE GROUP N/A	DWG NO. 7729	REV C
SCALE: 2:1		CAD FILE 13ARC B	SHEET 1 OF 1