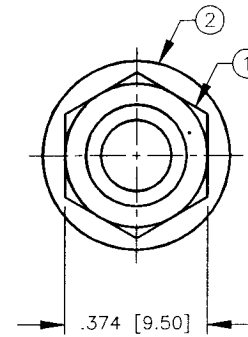
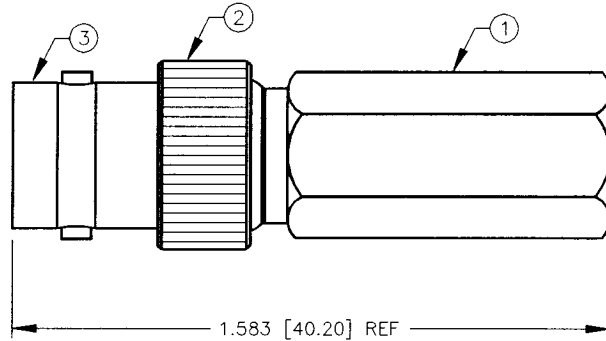


ENVELOPE / ASSEMBLY DRAWING

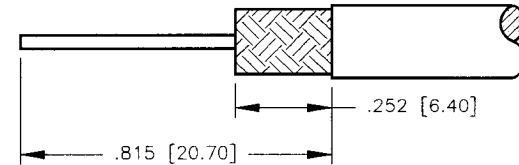
008974

SPECIFICATION CONTROL DRAWING		REV	DESCRIPTION	DWN	DATE	APPROVED
THIS DRAWING CONTAINS INFORMATION PROPRIETARY TO RF INDUSTRIES, LTD. ANY UNAUTHORIZED USE OF THIS DRAWING IS EXPRESSLY PROHIBITED. ANY VIOLATION IS PUNISHABLE UNDER U.S. COPYRIGHT LAWS.		A	ENGINEERING RELEASE	CZS	12/8/97	R. RICE

ALL DIMENSIONS ARE REFERENCE ONLY



SCREW CONNECTOR ONTO CABLE IN A CLOCKWISE DIRECTION UNTIL IT STOPS



SPECIFICATIONS:

IMPEDANCE: 75 OHMS
 WORKING VOLTAGE: 500 VRMS @ SEA LEVEL
 FREQUENCY RANGE: 0-1 GHz
 FOR RG-59, 59A, 59B, 62, 62A, 62C 71, 140 & 210/U,
 BELDEN 8221, 8241, 8241A, 8254, 8255, 8263, 9169,
 9204, 9228, 9244, 9269 & 9862 CABLE

DIMENSIONS ARE IN INCHES AND [MILLIMETERS]

UNLESS OTHERWISE NOTED TOLERANCES ARE:

DECIMALS DIAMETER

DRAWN
C. ZUNIGA 12/8/97
 CHECKED
C. Zuniga 12/8/97
 ORG DRAWN
C. ZUNIGA 12/8/97

RF connectors
 DIVISION OF RF INDUSTRIES, LTD.

7610 MIRAMAR RD
 SAN DIEGO, CA 92126
 (619)549-6340
 (619)549-6345 FAX

RFB-1722

BNC FEMALE TWIST-ON JACK

ITEM	DESCRIPTION	QTY	MATERIAL	FINISH
6	DIELECTRIC	1	DELRIN	NONE
5	DIELECTRIC	1	DELRIN	NONE
4	PIN	1	BRASS	SILVER
3	BNC PRESS FIT BODY	1	BRASS	NICKEL
2	BODY	1	BRASS	NICKEL
1	HEX BODY	1	BRASS	NICKEL

ITEM	DESCRIPTION	QTY	MATERIAL	FINISH	APPROVALS	DATE	SCALE:	CAD FILE	SHEET	OF	REV
							2:1	13ARC B	1	1	A

SIZE	CABLE GROUP	DWG NO.	REV
A	D	8816	A