

SIGN	DATE	DESCRIPTION	APPROVER
△	11/21'09	The normal grey No. changed from RAL7004/P to RAL7035/D	Kind
△	04/06'10	Add the 2P mark & Wire strip length is changed	RUNNER

THIS IS CAD DRAWING, DO NOT REVISE MANUALLY!!!

Material

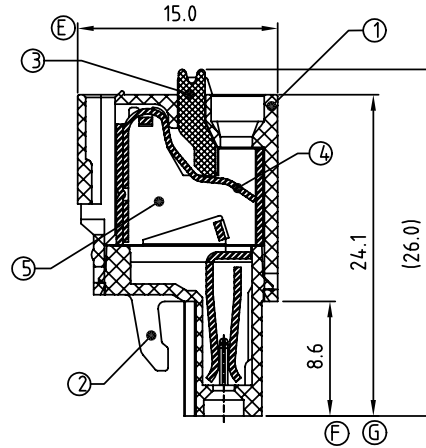
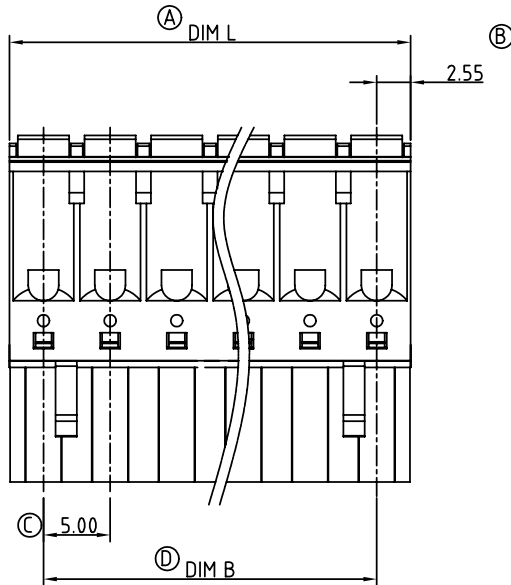
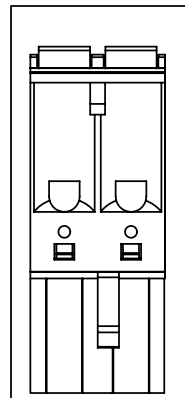
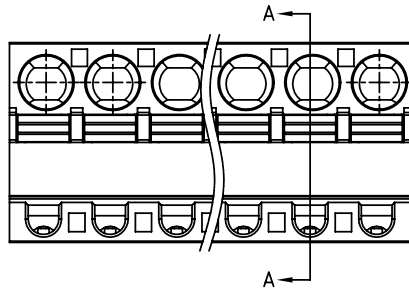
- Item 1 Terminal top body:Thermoplastic (UL94V-0)
- Item 2 Terminal down body:Thermoplastic (UL94V-0)
- Item 3 Terminal lever:Thermoplastic (UL94V-0)
- Item 4 Wire guard:Stainless Steel
- Ltem 5 Female contact:PhBz (CuSn) Tin plated

Electrical cULus

- Voltage rating:300V
- Current rating:10A
- Solid wire(AWG):12-26
- Stranded wire(AWG):12-26
- △ Wire strip length:8-9mm
- Withstanding Voltage:1.6KV
- Operating temperature:-40°C to +115°C

HW xx 7 0 x 0 xxxx G

02	2 CONTACTS	0 Black	0000 Standard @ Logo	RoHS
03	3 CONTACTS	5 Green	000A Standard ANY Logo	Pb<40,000ppm
...	...	(RAL 6018/T)	Any special item by customer request,	
24	24 CONTACTS	6 Blue	please contact sales department.	
		△8 Grey		
		(RAL 7035/D)		



SECTION A-A

Poles	02	03	04	05	06	07	08	09	10	11	12	13	
Dim L	10.10	15.10	20.10	25.10	30.10	35.10	40.10	45.10	50.10	55.10	60.10	65.10	
Dim B	5.00	10.00	15.00	20.00	25.00	30.00	35.00	40.00	45.00	50.00	55.00	60.00	
TOL	±0.15						±0.20					±0.25	
Poles	14	15	16	17	18	19	20	21	22	23	24		
Dim L	70.10	75.10	80.10	85.10	90.10	95.10	100.10	105.10	110.10	115.10	120.10		
Dim B	65.00	70.00	75.00	80.00	85.00	90.00	95.00	100.0	105.0	110.0	115.0		
TOL	±0.25						±0.30						

ANYTEK

CUSTOMER COPY

ALL RIGHTS RESERVED. REPRODUCTION OR ISSUE TO THIRD PARTIES IN ANY FORM WHATSOEVER IS NOT PERMITTED WITHOUT WRITTEN AUTHORITY FROM THE PROPRIETOR. PROPERTY OF ANYTEK TECHNOLOGY CO., LTD

TITLE	HW 5.0 Series (W/O) contact on down side						
PART NO.	HWxx70x0xxxxG			DWG NO.	8HW0802		
APPROVED	CHECKED	DESIGNED	DRAWN	CUST NO.	Tolerance		
		Runner	Runner				
		2010.04.06	2010.04.06				
					UNIT: mm	X.	±0.50
					SCALE: NONE	X.X	±0.30
						X.XX	±0.10
						X°	±1°

UNIT: mm
SCALE: NONE
SHEET: 01/01
REV.: D