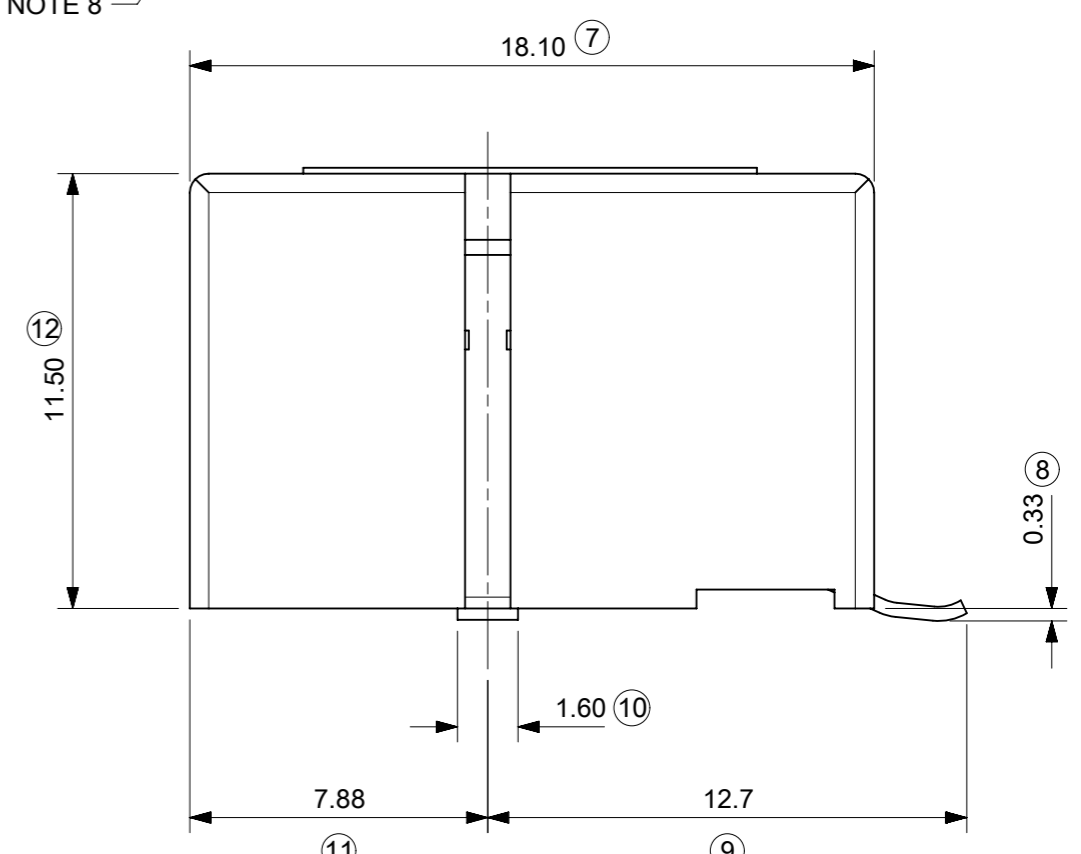
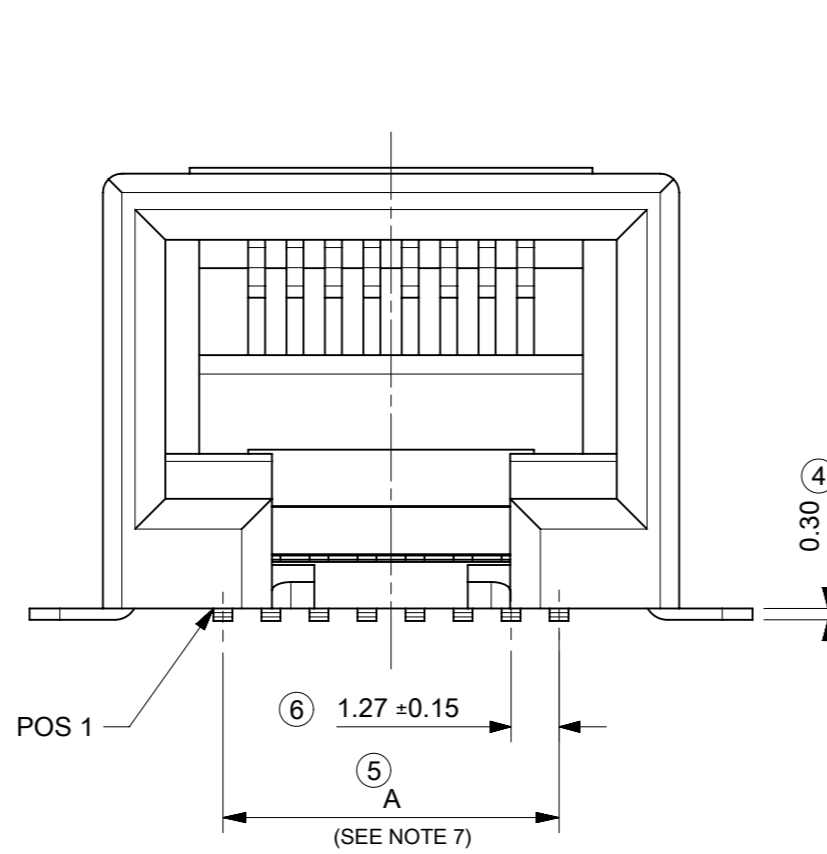
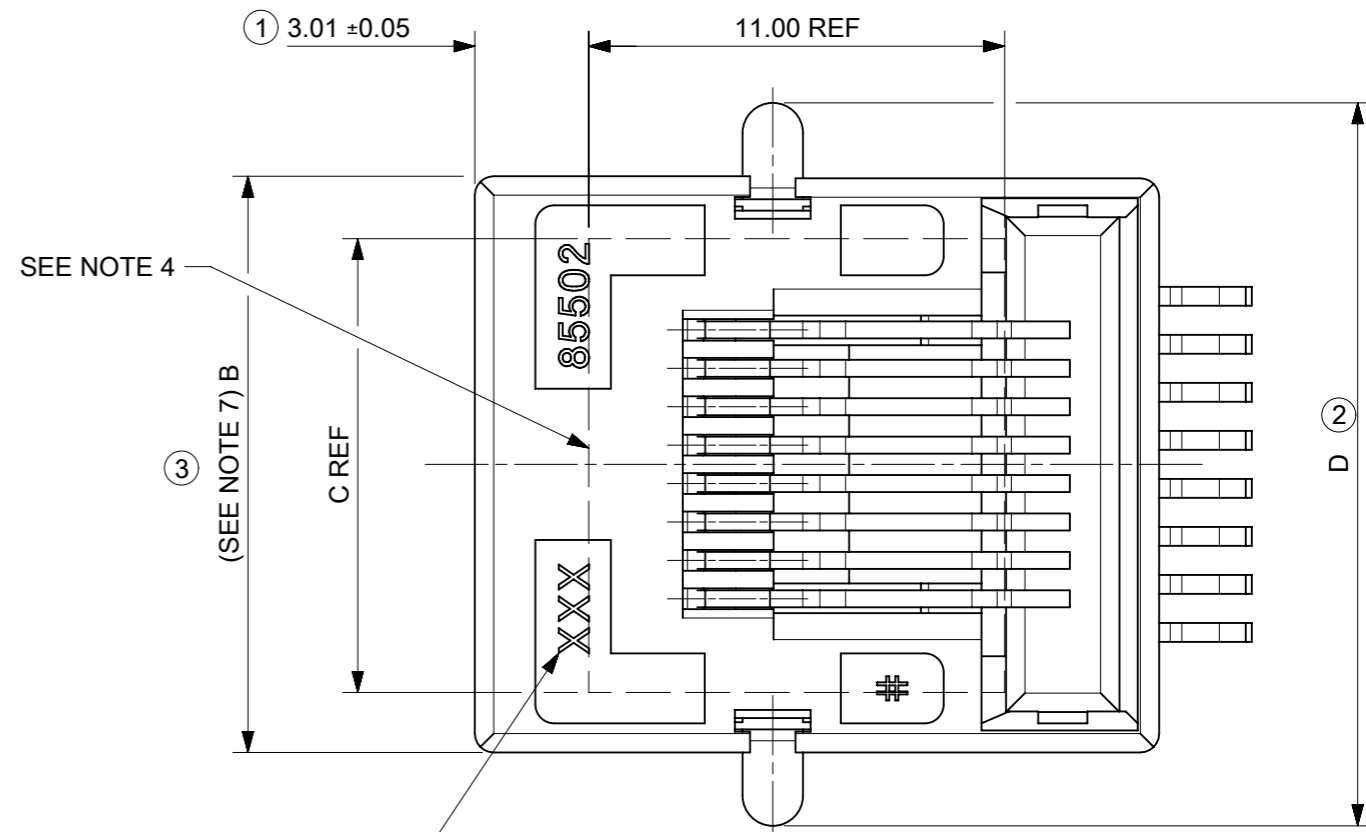


**NOTES:**

1. **MATERIAL:**  
HOUSING: LCP GLASS FILLED UL 94-V0 COLOUR: BLACK  
  
TERMINAL: COPPER ALLOY PLATED WITH:  
BASE FINISH: NICKEL  
CONTACT SURFACE FINISH:  
GOLD  
OR  
GOLD FLASH OVER PALLADIUM NICKEL.  
EXCEEDS PRODUCT REQUIREMENTS BASED ON PS-95501  
SOLDER TABS: BRASS PLATED WITH 0.0020 MIN TIN.
2. JACK FOR MATING WITH IEC 60603-7 AND TIA-1096-A PLUGS (MOLEX 90075 SERIES)
3. PRODUCT SPECIFICATION: MOLEX PS-95501
4. POLYIMIDE ADHESIVE TAPE FOR PICK & PLACE SURFACE. THICKNESS: 125µm
5. PACKAGING SPECIFICATION: MOLEX PK-85502. (BLISTER PACKAGING).
6. COPLANARITY OF SIGNAL LEADS: 0.10
7. SEE DIMENSIONS IN CHART ON SHEET 2.
8. MANUFACTURING I.D. MAY BE EITHER MG, MXF, MXI OR MXCH.
9. APPLICATION SPECIFICATION: AS-85513-001

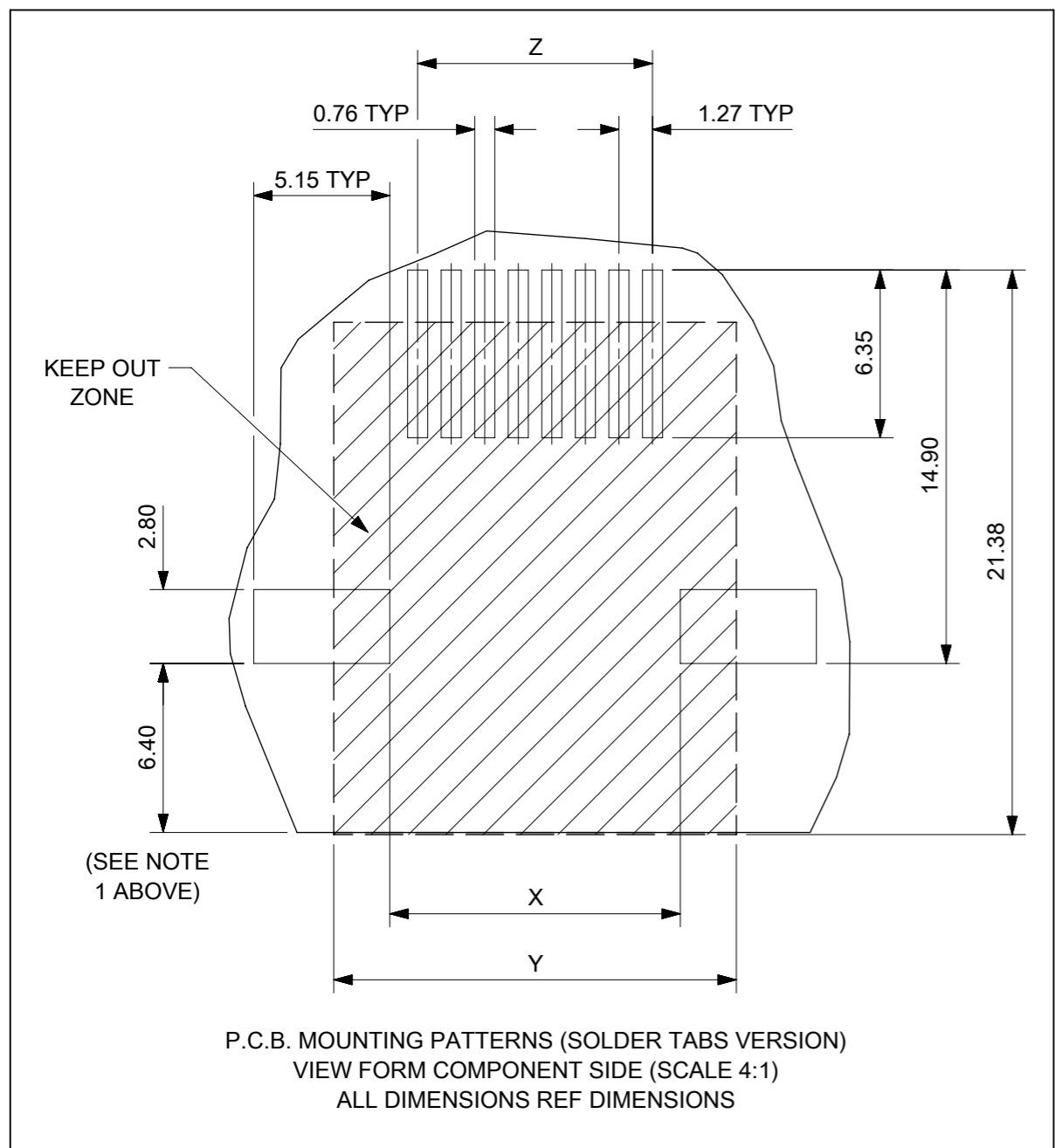
LAST INSPECTION NO.: 13

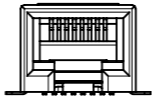


THIS DRAWING CONTAINS INFORMATION THAT IS PROPRIETARY TO MOLEX ELECTRONIC TECHNOLOGIES, LLC AND SHOULD NOT BE USED WITHOUT WRITTEN PERMISSION												
DIMENSION UNITS	SCALE	CURRENT REV DESC: REMASTERED USING 3D MODELS										
mm	5:1	<div style="text-align: center;"><b>molex</b></div> R/A LOW PROFILE TRUE SMT 4,6 & 8 CONTACTS PC JACK WITH SIDE SOLDER TABS										
GENERAL TOLERANCES (UNLESS SPECIFIED)												
ANGULAR TOL	± 2.0 °	PRODUCT CUSTOMER DRAWING										
4 PLACES	±	EC NO: 686808	2021/07/30	DOCUMENT NUMBER						DOC TYPE	DOC PART	REVISION
3 PLACES	±	DRWN: AKUMAR19	2022/01/10	SD-85502-101						PSD	001	E2
2 PLACES	± 0.25	CHK'D: KLANG	2022/01/10	MATERIAL NUMBER						CUSTOMER		
1 PLACE	± 0.35	APPR: KLANG	2022/01/10	SEE TABLE						GENERAL MARKET		
0 PLACES	±	INITIAL REVISION:		SHEET NUMBER								
DRAFT WHERE APPLICABLE MUST REMAIN WITHIN DIMENSIONS		DRWN: DBYRNES APPR: EOMAHONY 2006/07/04 2006/07/07		THIRD ANGLE PROJECTION	DRAWING	SERIES	MATERIAL NUMBER		CUSTOMER			
					A3-SIZE	85502	SEE TABLE		GENERAL MARKET			
							1 OF 2					


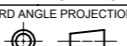
NOTES:

1. RECOMMENDED DISTANCE FROM THE PCB'S EDGE
2. PLATING SEE SHEET 1



PART NUMBERS FOR TRUE SMT JACK WITH SOLDER TABS									
	HOUSING COLOR	POS 4	TOOLED	POS 6	TOOLED	POS 6	TOOLED	POS 8	TOOLED
		4 CKTS		4 CKTS		6 CKTS		8 CKTS	
STANDARD VERSION	BLACK	85502-5005	X	85502-5006	X	85502-5007	X	85502-5008	X

DIM	TYP	POS 4	POS 6		POS 8
		4 CKTS	4 CKTS	6 CKTS	8 CKTS
A ± 0.15		3.81	3.81	6.35	8.89
B		11.18	13.21	13.21	15.24
C (REF)		8.50	8.50	8.50	12.00
D ± 0.35		14.13	16.16	16.16	18.19
X ± 0.10		6.94	8.97	8.97	11.00
Y (REF)		11.18	13.21	13.21	15.24
Z ± 0.05		3.81	3.81	6.35	8.89

THIS DRAWING CONTAINS INFORMATION THAT IS PROPRIETARY TO MOLEX ELECTRONIC TECHNOLOGIES, LLC AND SHOULD NOT BE USED WITHOUT WRITTEN PERMISSION									
DIMENSION UNITS	SCALE	CURRENT REV DESC: REMASTERED USING 3D MODELS							
mm	1:1	 R/A LOW PROFILE TRUE SMT 4,6 & 8 CONTACTS PC JACK WITH SIDE SOLDER TABS PRODUCT CUSTOMER DRAWING							
GENERAL TOLERANCES (UNLESS SPECIFIED)									
ANGULAR TOL	± 2.0 °	EC NO: 686808		2021/07/30		DOCUMENT NUMBER		DOC TYPE	DOC PART
4 PLACES	±	DRWN: AKUMAR19		2022/01/10		SD-85502-101		PSD	001
3 PLACES	±	CHK'D: KLANG		2022/01/10		REVISION		E2	
2 PLACES	± 0.25	APPR: KLANG		2022/01/10		MATERIAL NUMBER		CUSTOMER	
1 PLACE	± 0.35	INITIAL REVISION:		2006/07/04		SEE TABLE		GENERAL MARKET	
0 PLACES	±	DRWN: DBYRNES		2006/07/07		SHEET NUMBER		2 OF 2	
DRAFT WHERE APPLICABLE MUST REMAIN WITHIN DIMENSIONS		THIRD ANGLE PROJECTION	DRAWING	SERIES	MATERIAL NUMBER	CUSTOMER		SHEET NUMBER	
			A3-SIZE	85502	SEE TABLE	GENERAL MARKET		2 OF 2	