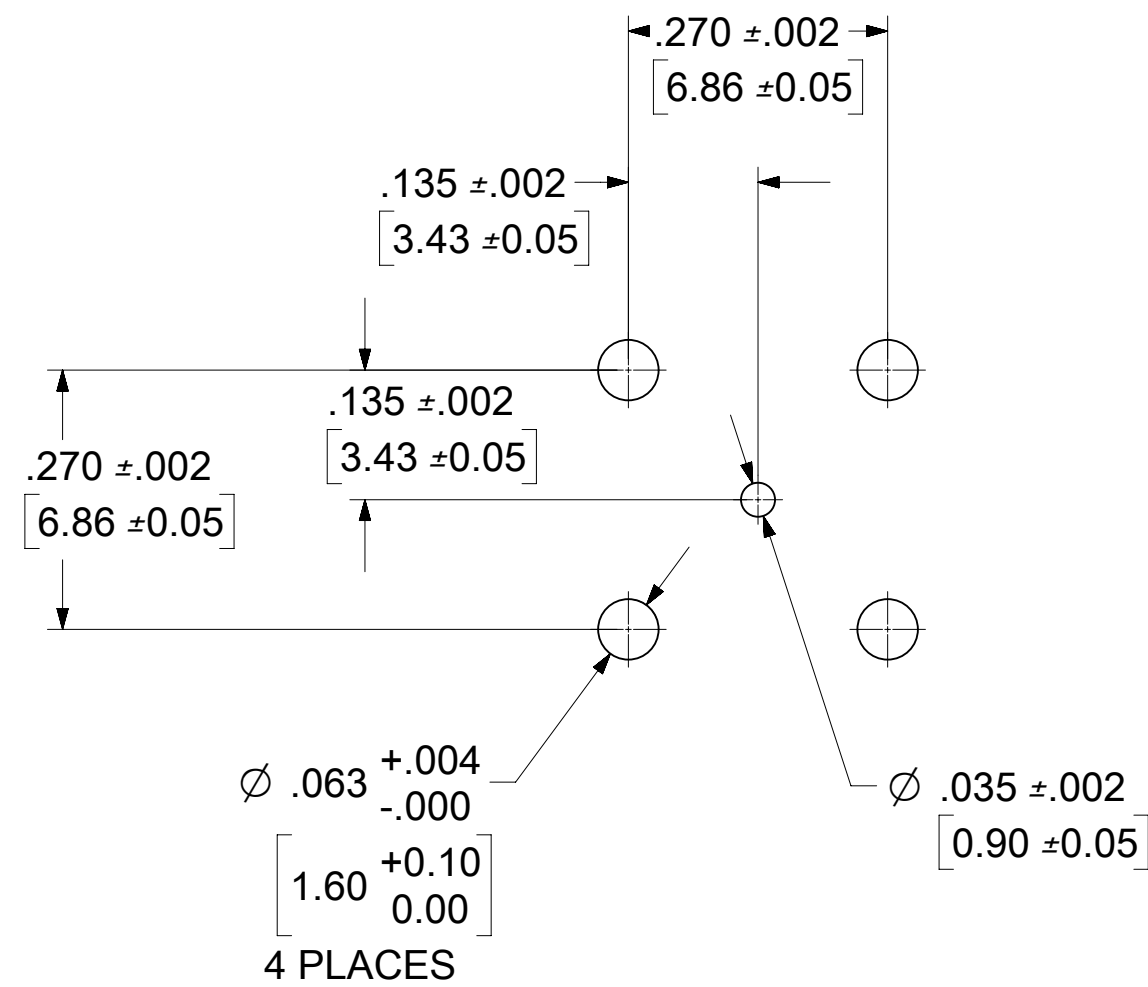
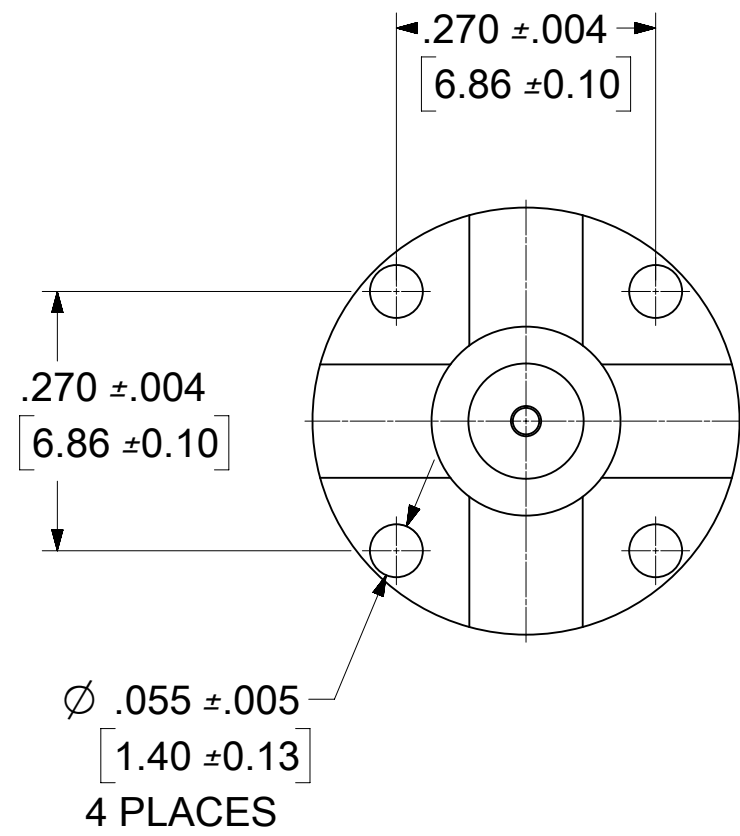
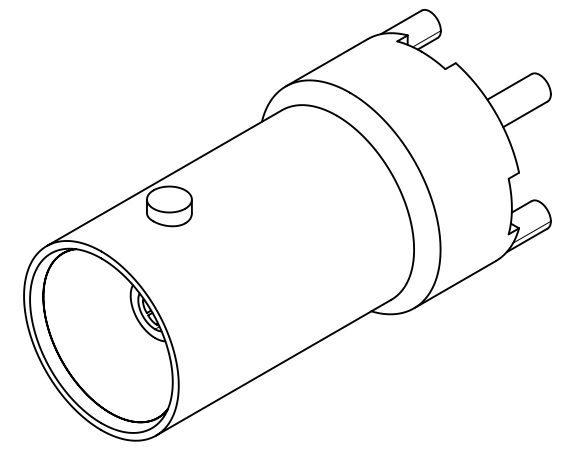


**MATERIALS AND FINISHES**

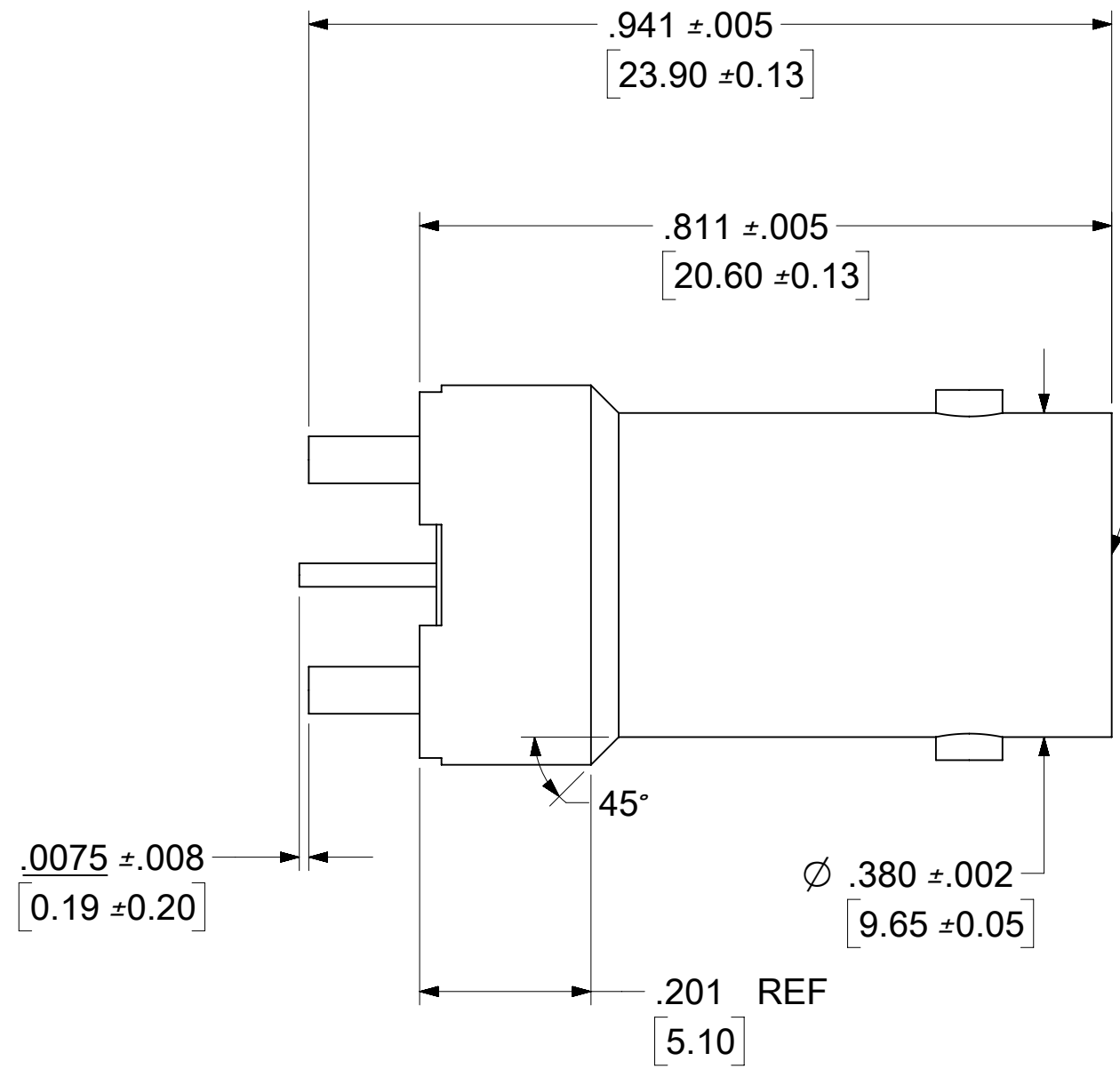
BODY ZINC ALLOY  
PLATED NICKEL 70u" MIN

CENTER CONTACT  
PHOSPHOR BRONZE  
PLATED GOLD 30u" MIN

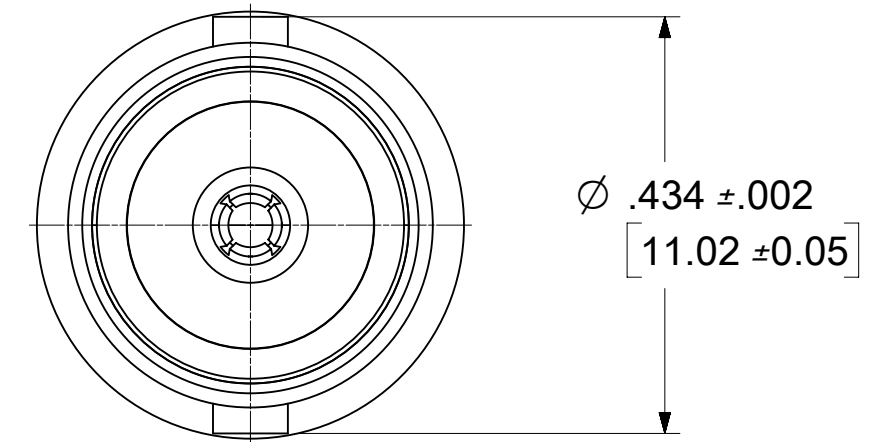
INSULATOR TEFLON



PCB HOLE CONFIGURATION



INTERFACE PER MOLEX  
STANDARD ES-73599-0000



REV.	DATE	DESCRIPTION
C2	2018/04/26	MIGRATED TO ECTR ANGLE 45° WAS RADIUS ADD DIM 11.02±0.05; 9.62±0.05; DIM 5.10 REF PER EWR12043

THIS DRAWING CONTAINS INFORMATION THAT IS PROPRIETARY TO MOLEX ELECTRONIC TECHNOLOGIES, LLC AND SHOULD NOT BE USED WITHOUT WRITTEN PERMISSION									
DIMENSION UNITS: HYBRID		SCALE:		CURRENT REV DESC:				<b>molex</b>	
GENERAL TOLERANCES (UNLESS SPECIFIED)		ANGULAR TOL ± 2.0°		EC NO: 176019 DRWN: CWEI02 2018/04/26 CHK'D: YCHENG 2018/05/16 APPR: YCHENG 2018/05/16					
4 PLACES ±		3 PLACES ±		2 PLACES ±		INITIAL REVISION:		PRODUCT CUSTOMER DRAWING	
1 PLACE ±		0 PLACES ±		DRWN: CLLI 2002/05/07 APPR: MHUANG 2002/05/07		DOCUMENT NUMBER		DOC TYPE   DOC PART   REVISION	
DRAFT WHERE APPLICABLE MUST REMAIN WITHIN DIMENSIONS		THIRD ANGLE PROJECTION		DRAWING: C-SIZE		SERIES: 73101		MATERIAL NUMBER: 731010360	
CUSTOMER: GENERAL MARKET		SHEET NUMBER: 1 OF 1		SD-73101-036		PSD		001   C2	