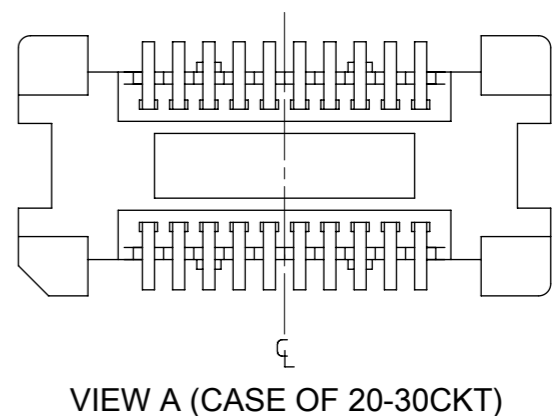
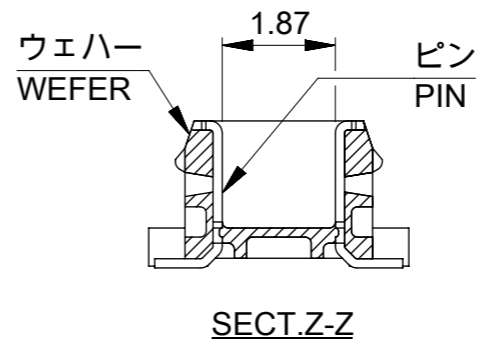


参考基板レイアウト (マウント面)  
P.C. BOARD PATTERN  
DIMENSION. (REF.)  
(MOUNTING AREA)



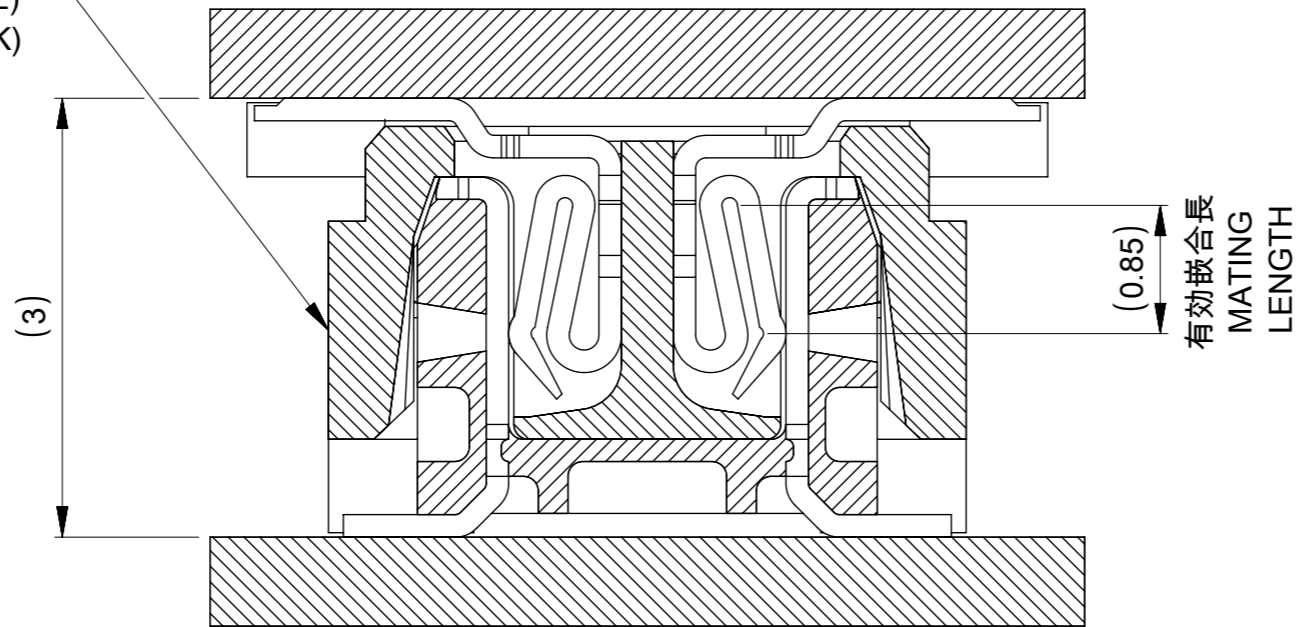
23.8	20.24	19.5	53748-0808	80
21.3	17.74	17	53748-0708	70
18.8	15.24	14.5	53748-0608	60
16.3	12.74	12	53748-0508	50
13.8	10.24	9.5	53748-0408	40
11.3	7.74	7	53748-0308	30
8.8	5.24	4.5	53748-0208	20
C	B	A	EMBOSSED TAPE ORDER NO.	極数 CIRCUIT
CONNECTOR SERIES NO.			53748-***0	

- 注記 NOTES:
1. 使用材料 MATERIAL  
ハウジング : LCPガラス入り (白), UL94V-0  
HOUSING : LCP(G.F.)(COLOR:WHITE), UL94V0  
ターミナル : 黄銅 (t=0.15)  
TERMINAL: BRASS (t=0.15)
  2. メッキ仕様 PLATING  
全体仕上げ : 金メッキ 0.1 MICROMETER MIN.  
ALL OVER : GOLD 0.1 MICROMETER MIN.  
下地メッキ : ニッケルメッキ 1.5 MICROMETER MIN.  
UNDER PLATING : NICKEL 1.5 MICROMETER MIN.
  3. 基準面 X からのソルダーテールの半田付け面のズレ量は、上方向 0 下方向 0.15MAX. とする。  
MISALIGNMENT OF SOLDER TAIL FROM X  
△ (全極数/2) = 偶数の場合に適用。  
APPLY FOR (CIRCUIT/2)=EVEN.
  4. 4 (全極数/2) = 偶数の場合に適用。  
APPLY FOR (CIRCUIT/2)=EVEN.
  5. 嵌合相手 : 52991シリーズ (嵌合高さ = 3mm)、54167シリーズ (嵌合高さ = 3mm)  
MATE WITH: 52991 SERIES (HEIGHT = 3mm), AND 54167 SERIES (HEIGHT = 3mm)
  6. テール平坦度は、0.1MAX.  
TAIL COPLANARITY TO BE 0.1MAX.
  7. ELV及びRoHS適合品  
ELV AND RoHS COMPLIANT



THIS DRAWING CONTAINS INFORMATION THAT IS PROPRIETARY TO MOLEX ELECTRONIC TECHNOLOGIES, LLC AND SHOULD NOT BE USED WITHOUT WRITTEN PERMISSION		CURRENT REV DESC:		<b>molex</b>	
DIMENSION UNITS	SCALE	EC NO: 739518			
mm	8:1	DRWN: TNAKAGAWA01		0.5 MM PITCH B-TO-B CONN. HEIGHT = 3 PLUG	
GENERAL TOLERANCES (UNLESS SPECIFIED)		CHK'D: SMARUYAMA		PRODUCT CUSTOMER DRAWING	
ANGULAR TOL ± 30°		APPR: YNAITO		DOCUMENT NUMBER	
4 PLACES ± 0.2		INITIAL REVISION:		DOC TYPE	
3 PLACES ± 0.25		DRWN: NAKAMURAA		DOC PART	
2 PLACES ± 0.3		APPR: NUKITA		REVISION	
1 PLACE ±		2008/12/08		SD-53748-002	
0 PLACES ±		2009/01/09		PSD 001 F	
DRAFT WHERE APPLICABLE MUST REMAIN WITHIN DIMENSIONS		THIRD ANGLE PROJECTION		MATERIAL NUMBER	
DRAFT WHERE APPLICABLE MUST REMAIN WITHIN DIMENSIONS		DRAWING		CUSTOMER	
DRAFT WHERE APPLICABLE MUST REMAIN WITHIN DIMENSIONS		SERIES		SHEET NUMBER	
DRAFT WHERE APPLICABLE MUST REMAIN WITHIN DIMENSIONS		A3-SIZE		SEE TABLE	
DRAFT WHERE APPLICABLE MUST REMAIN WITHIN DIMENSIONS		53748		GENERAL	

嵌合相手 MATE WITH  
 52991-\*\*\*8 (白 WHITE)  
 52991-\*\*\*2 (白 WHITE)  
 54167-\*\*\*8 (黒 BLACK)



嵌合断面図 (参考)  
 MATED DRAWING (REF.)

THIS DRAWING CONTAINS INFORMATION THAT IS PROPRIETARY TO MOLEX ELECTRONIC TECHNOLOGIES, LLC AND SHOULD NOT BE USED WITHOUT WRITTEN PERMISSION

DIMENSION UNITS SCALE  
 mm 20:1

GENERAL TOLERANCES (UNLESS SPECIFIED)

ANGULAR TOL	± 30°
4 PLACES	± 0.2
3 PLACES	± 0.25
2 PLACES	± 0.3
1 PLACE	±
0 PLACES	±

GENERAL TOLERANCES (UNLESS SPECIFIED)	
10 <sup>UNDER</sup>	±0.2
10 <sup>OVER</sup> 30 <sup>UNDER</sup>	±0.25
30 <sup>OVER</sup>	±0.3
ANGULAR ±3°	

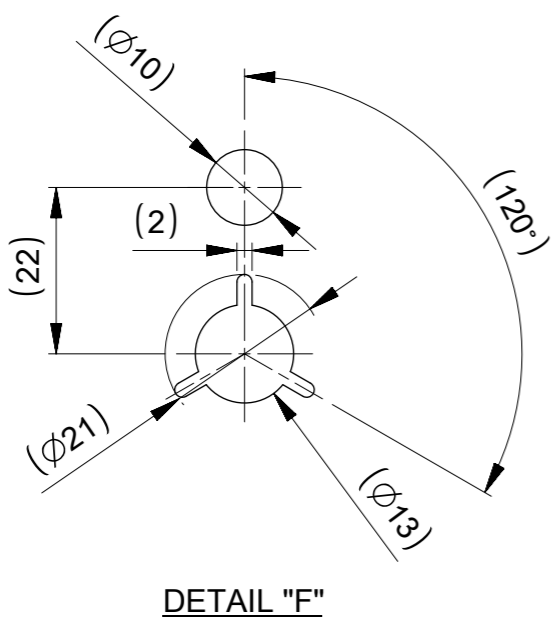
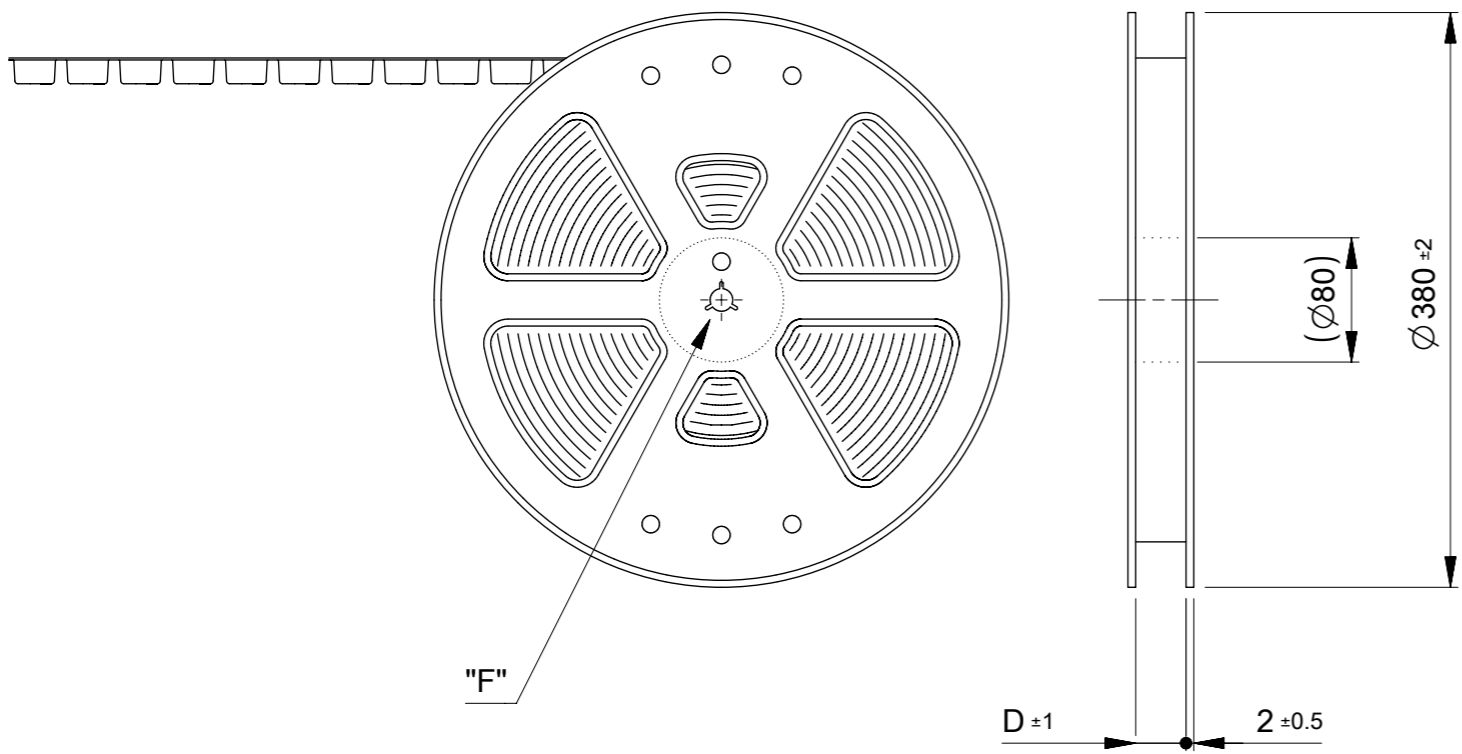
DRAFT WHERE APPLICABLE MUST REMAIN WITHIN DIMENSIONS

DRAFT WHERE APPLICABLE MUST REMAIN WITHIN DIMENSIONS

CURRENT REV DESC:  
 EC NO: 739518  
 DRWN: TNAKAGAWA01 2023/02/21  
 CHK'D: SMARUYAMA 2023/06/02  
 APPR: YNAITO 2023/06/02  
 INITIAL REVISION:  
 DRWN: NAKAMURAA 2008/12/08  
 APPR: NUKITA 2009/01/09

<b>molex</b>			
0.5 MM PITCH B-TO-B CONN. HEIGHT = 3 PLUG			
PRODUCT CUSTOMER DRAWING			
DOCUMENT NUMBER	DOC TYPE	DOC PART	REVISION
SD-53748-002	PSD	001	F

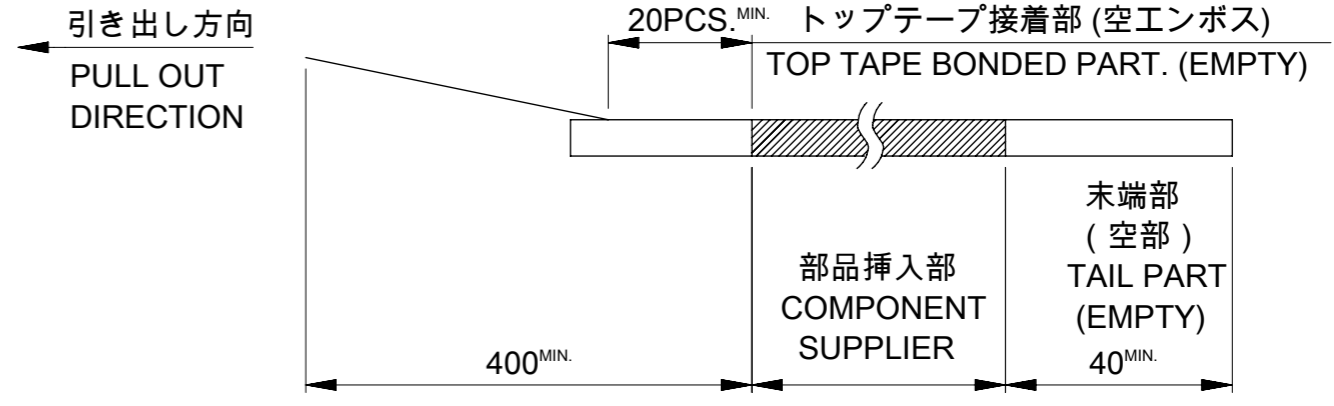
引き出し方向  
PULL OUT  
DIRECTION



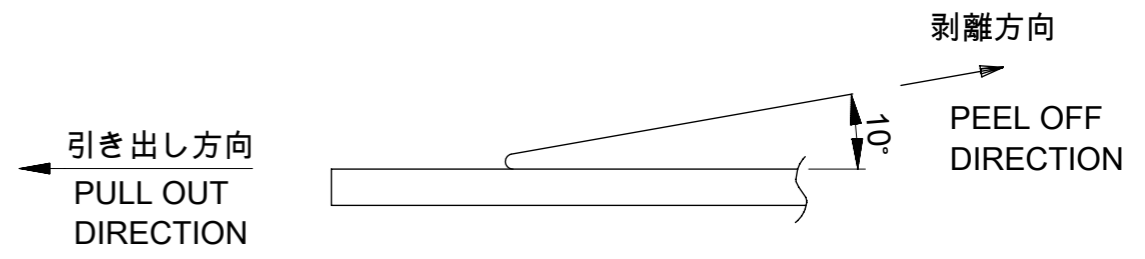
DETAIL "F"

NOTES

- 製品詳細寸法については図面 SD-53748-002を参照下さい。  
DETAIL DIMENSION, SEE SD-53748-002
- 梱包数量 : 3000個 / リール  
NUMBER OF CONNECTORS : 3000PCS/REEL
- リードテープ長さ LEAD TAPE LENGTH



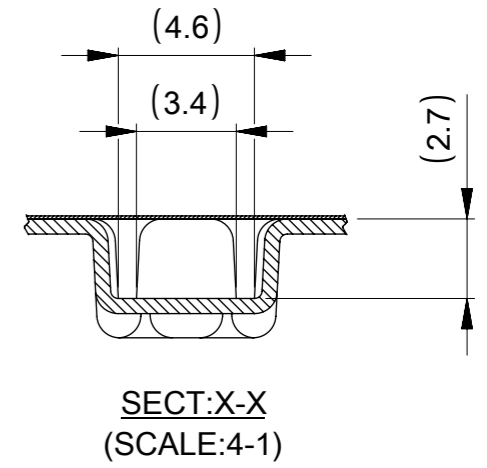
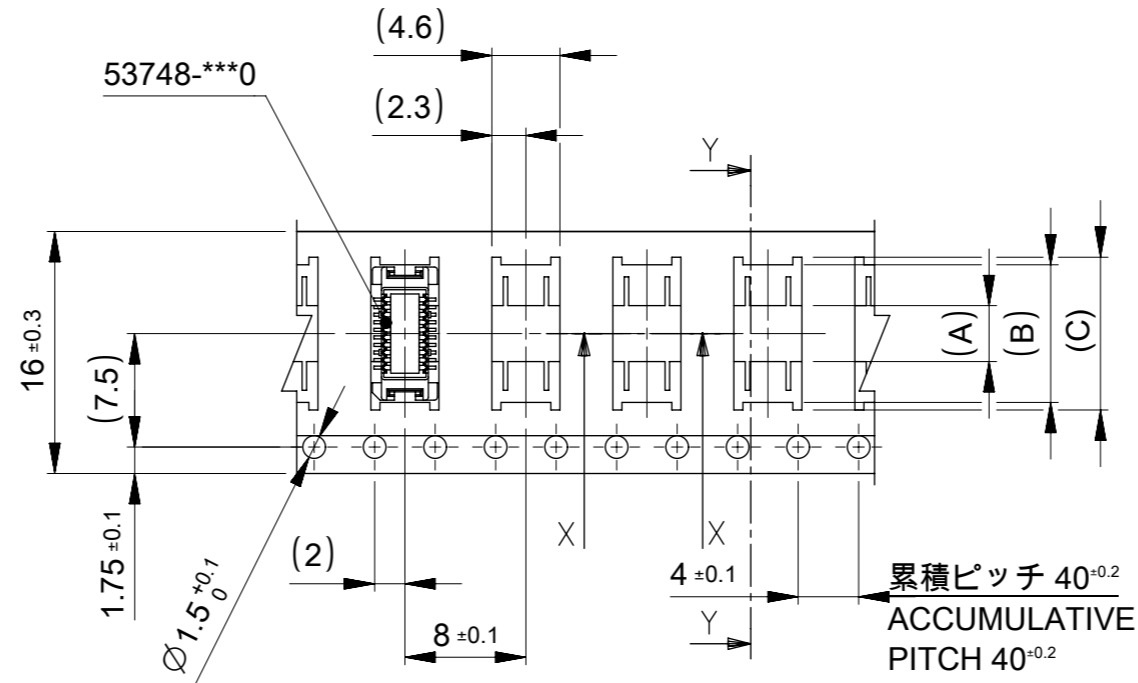
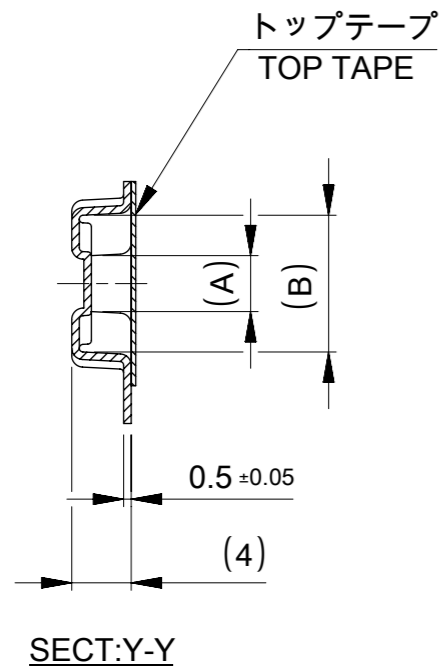
- トップテープの剥離強度 : 0.1N ~ 0.7N(10.2gf ~ 71.4gf)  
(剥離方向は下図参照)  
尚、本規格値は出荷時に適用。(但し、輸送時に剥離が発生しないこと。)  
PEELING OFF FORCE OF TOP TAPE: 0.1N ~ 0.7N(10.2gf ~ 71.4gf)  
(PEELING DIRECTION AS SHOWN IN FOLLOWING FIG.)  
THIS REQUIREMENT SHOULD BE APPLIED AT SHIPMENT.  
PEEL OFF SHOULD NOT BE ALLOWED, DURING TRANSPORTATION.



- 材料 ( MATERIAL )  
キャリアテープ ( CARRIER TAPE ) : ポリプロピレン ( POLYPROPYLENE )  
トップテープ ( TOPTAPE ) : PET , PE , PEF  
リール(REEL) : ポリスチレン ( PS ) <リサイクル材を含む>  
POLYSTYREN(PS) <RECYCLE MATERIAL CONTANED>

THIS DRAWING CONTAINS INFORMATION THAT IS PROPRIETARY TO MOLEX ELECTRONIC TECHNOLOGIES, LLC AND SHOULD NOT BE USED WITHOUT WRITTEN PERMISSION		CURRENT REV DESC:		<b>molex</b>	
DIMENSION UNITS	SCALE				
mm	NTS			0.5 MM PITCH B-TO-B CONN. HEIGHT = 3 PLUG EMBOSS TAPE PACKAGE	
GENERAL TOLERANCES (UNLESS SPECIFIED)		GENERAL TOLERANCES (UNLESS SPECIFIED)		PRODUCT CUSTOMER DRAWING	
ANGULAR TOL ± 30°		ANGULAR TOL ± 30°		DOCUMENT NUMBER	
4 PLACES ± 0.2		4 PLACES ± 0.2		SD-53748-005	
3 PLACES ± 0.25		3 PLACES ± 0.25		DOC TYPE	
2 PLACES ± 0.3		2 PLACES ± 0.3		PSD	
1 PLACE ±		1 PLACE ±		DOC PART	
0 PLACES ±		0 PLACES ±		001	
ANGULAR+3°		ANGULAR+3°		REVISION	
DRAFT WHERE APPLICABLE MUST REMAIN WITHIN DIMENSIONS		DRAFT WHERE APPLICABLE MUST REMAIN WITHIN DIMENSIONS		F	
THIRD ANGLE PROJECTION		DRAWING		MATERIAL NUMBER	
A3-SIZE		SERIES		CUSTOMER	
53748		SEE SHEET 2-5		GENERAL	
SHEET NUMBER		1 OF 5			

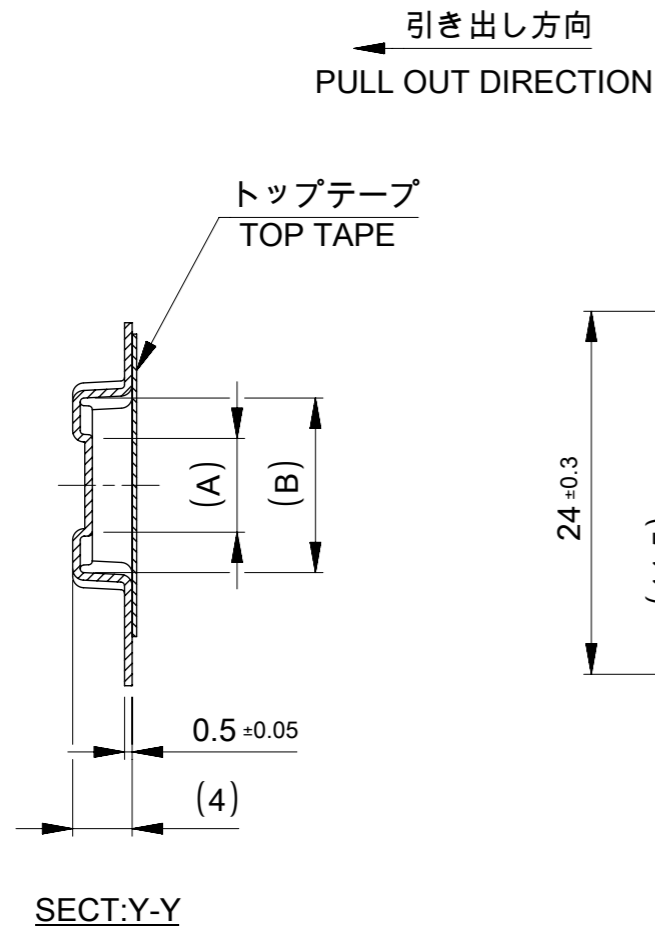
引き出し方向  
PULL OUT DIRECTION



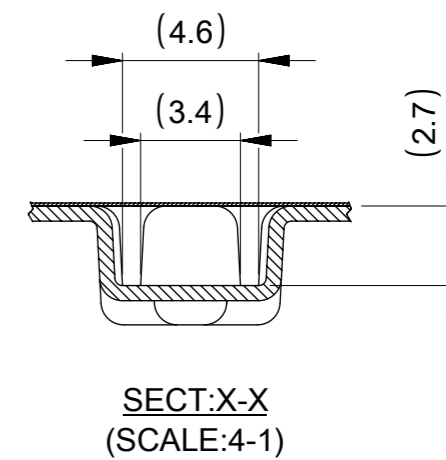
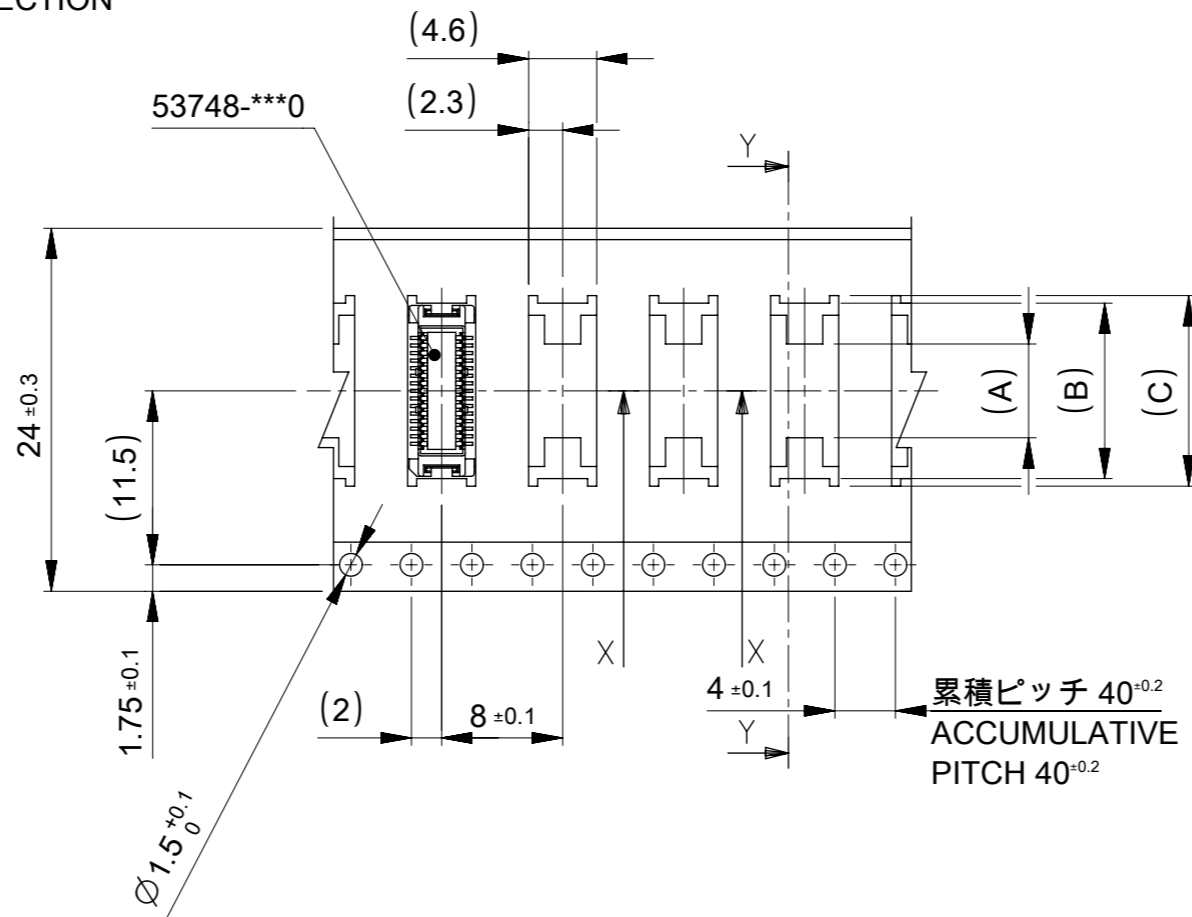
16mm 幅キャリアテープ  
16mm WIDTH CARRIER TAPE

16	17.5	10.1	9.1	3.7	53748-0208	20
キャリアテープ幅 CARRIER TAPE WIDTH		D	(C)	(B)	(A)	MATERIAL NO. 極数 CKT.

THIS DRAWING CONTAINS INFORMATION THAT IS PROPRIETARY TO MOLEX ELECTRONIC TECHNOLOGIES, LLC AND SHOULD NOT BE USED WITHOUT WRITTEN PERMISSION		CURRENT REV DESC:		<b>molex</b>			
DIMENSION UNITS	SCALE	EC NO: 739518					
mm	NTS	DRWN: TNAKAGAWA01		PRODUCT CUSTOMER DRAWING			
GENERAL TOLERANCES (UNLESS SPECIFIED)		CHK'D: SMARUYAMA		DOCUMENT NUMBER			
ANGULAR TOL ± 30°		APPR: YNAITO		SD-53748-005		DOC TYPE	DOC PART
4 PLACES ± 0.2		INITIAL REVISION:		2008/12/08		REVISION	
3 PLACES ± 0.25		DRWN: NAKAMURAA		2009/01/09		001	F
2 PLACES ± 0.3		APPR: NUKITA		MATERIAL NUMBER		GENERAL	
1 PLACE ±		THIRD ANGLE PROJECTION		SEE TABLE			
0 PLACES ±		DRAWING		SERIES			
DRAFT WHERE APPLICABLE MUST REMAIN WITHIN DIMENSIONS		A3-SIZE		53748			



引き出し方向  
PULL OUT DIRECTION

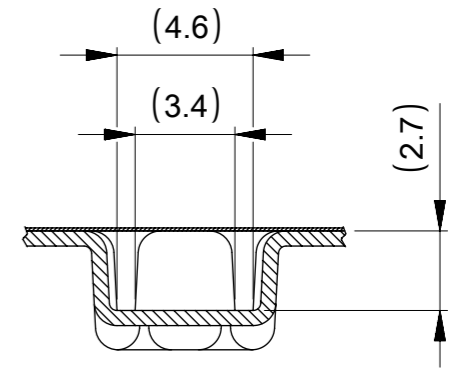
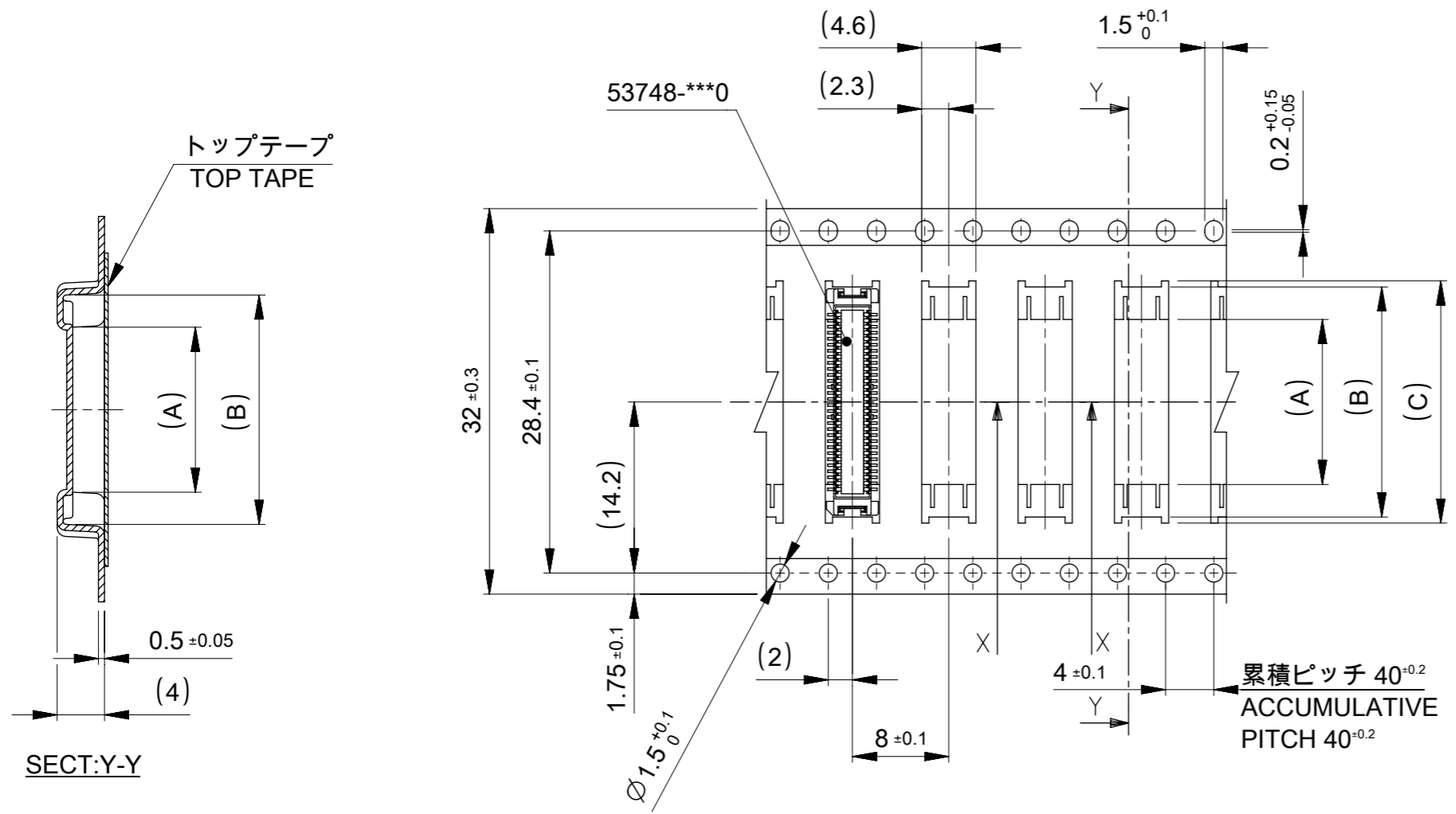


24mm 幅キャリアテープ  
24mm WIDTH CARRIER TAPE

24	25.5	15.1	14.1	7.4	53748-0408	40
		12.6	11.6	4.9	53748-0308	30
キャリアテープ幅 CARRIER TAPE WIDTH		D	(C)	(B)	(A)	MATERIAL NO. 極数 CKT.

THIS DRAWING CONTAINS INFORMATION THAT IS PROPRIETARY TO MOLEX ELECTRONIC TECHNOLOGIES, LLC AND SHOULD NOT BE USED WITHOUT WRITTEN PERMISSION		CURRENT REV DESC:		<b>molex</b>		
DIMENSION UNITS	SCALE	EC NO: 739518				
mm	NTS	DRWN: TNAKAGAWA01		PRODUCT CUSTOMER DRAWING		
GENERAL TOLERANCES (UNLESS SPECIFIED)		CHK'D: SMARUYAMA		DOCUMENT NUMBER		
ANGULAR TOL ± 30°		APPR: YNAITO		SD-53748-005		
4 PLACES ± 0.2		INITIAL REVISION:		DOC TYPE		
3 PLACES ± 0.25		DRWN: NAKAMURAA		PSD		
2 PLACES ± 0.3		APPR: NUKITA		DOC PART		
1 PLACE ±		2008/12/08		001		
0 PLACES ±		2009/01/09		F		
DRAFT WHERE APPLICABLE MUST REMAIN WITHIN DIMENSIONS		THIRD ANGLE PROJECTION	DRAWING	SERIES	MATERIAL NUMBER	CUSTOMER
DRAFT WHERE APPLICABLE MUST REMAIN WITHIN DIMENSIONS			A3-SIZE	53748	SEE TABLE	GENERAL
						SHEET NUMBER
						3 OF 5

引き出し方向  
PULL OUT DIRECTION



32mm 幅キャリアテープ  
32mm WIDTH CARRIER TAPE

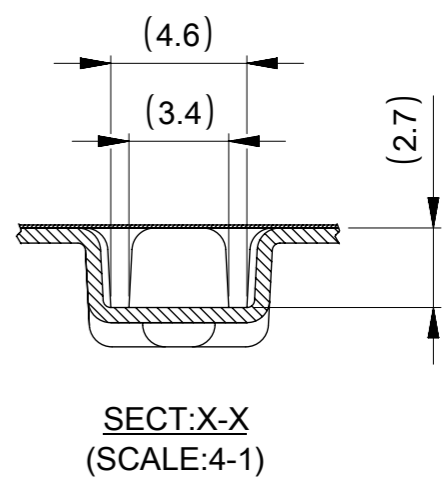
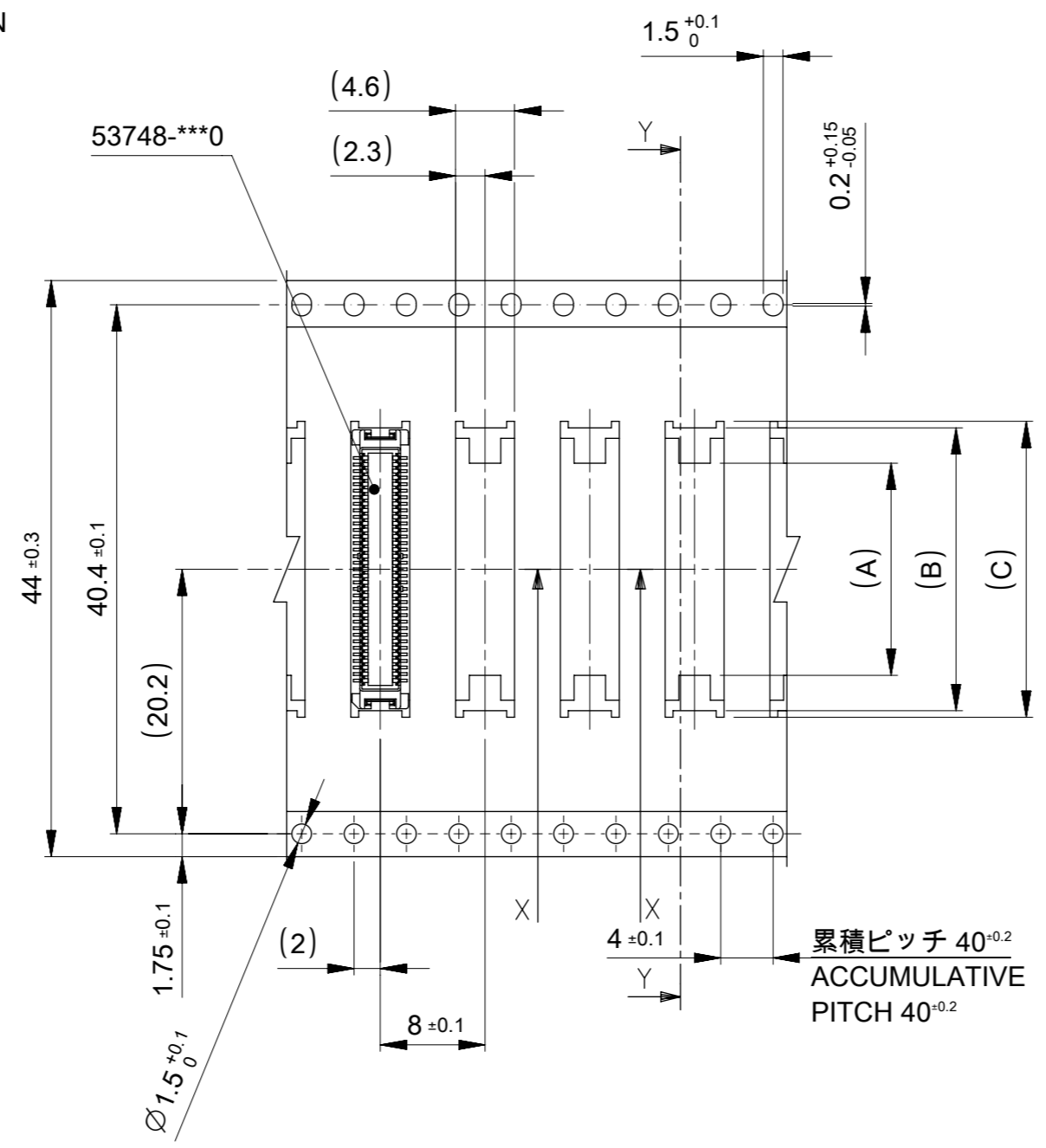
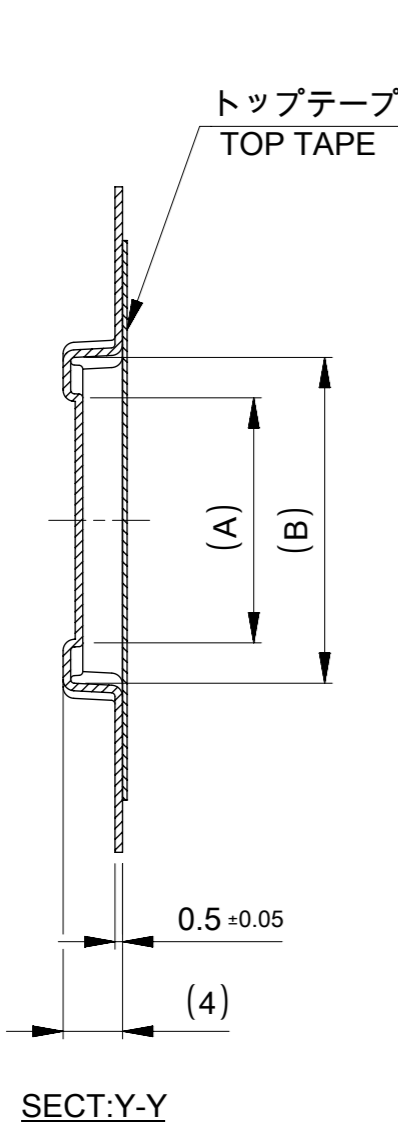
累積ピッチ 40<sup>+0.2</sup>  
ACCUMULATIVE PITCH 40<sup>+0.2</sup>

32	33.5	20.1	19.1	13.7	53748-0608	60
		17.6	16.6	11.2	53748-0508	50
キャリアテープ幅 CARRIER TAPE WIDTH	D	(C)	(B)	(A)	MATERIAL NO.	極数 CKT.

THIS DRAWING CONTAINS INFORMATION THAT IS PROPRIETARY TO MOLEX ELECTRONIC TECHNOLOGIES, LLC AND SHOULD NOT BE USED WITHOUT WRITTEN PERMISSION

DIMENSION UNITS	SCALE	CURRENT REV DESC:	
mm	NTS		
GENERAL TOLERANCES (UNLESS SPECIFIED)		molex	
ANGULAR TOL ± 30°		0.5 MM PITCH B-TO-B CONN. HEIGHT = 3 PLUG EMBOSS TAPE PACKAGE	
4 PLACES ± 0.2		EC NO: 739518	
3 PLACES ± 0.25		DRWN: TNAKAGAWA01 2023/02/21	
2 PLACES ± 0.3		CHK'D: SMARUYAMA 2023/06/02	
1 PLACE ±		APPR: YNAITO 2023/06/02	
0 PLACES ±		INITIAL REVISION:	
DRAFT WHERE APPLICABLE MUST REMAIN WITHIN DIMENSIONS		DRWN: NAKAMURAA 2008/12/08	
		APPR: NUKITA 2009/01/09	
THIRD ANGLE PROJECTION		DRAWING	SERIES
DRAFT WHERE APPLICABLE MUST REMAIN WITHIN DIMENSIONS		A3-SIZE	53748
		MATERIAL NUMBER	CUSTOMER
		SEE TABLE	GENERAL
		DOCUMENT NUMBER	DOC TYPE DOC PART REVISION
		SD-53748-005	PSD 001 F
		SHEET NUMBER	
		4 OF 5	

引き出し方向  
PULL OUT DIRECTION



44mm 幅キャリアテープ  
44mm WIDTH CARRIER TAPE

44	45.5	25.1	24.1	18.7	53748-0808	80
		22.6	21.6	16.2	53748-0708	70
キャリアテープ幅 CARRIER TAPE WIDTH		D	(C)	(B)	(A)	MATERIAL NO. 極数 CKT.

THIS DRAWING CONTAINS INFORMATION THAT IS PROPRIETARY TO MOLEX ELECTRONIC TECHNOLOGIES, LLC AND SHOULD NOT BE USED WITHOUT WRITTEN PERMISSION

DIMENSION UNITS	SCALE	CURRENT REV DESC:			
mm	NTS	<b>molex</b> 0.5 MM PITCH B-TO-B CONN. HEIGHT = 3 PLUG EMBOSS TAPE PACKAGE PRODUCT CUSTOMER DRAWING			
GENERAL TOLERANCES (UNLESS SPECIFIED)					
GENERAL TOLERANCES (UNLESS SPECIFIED)	ANGULAR TOL ± 30°	EC NO: 739518	2023/02/21	DOCUMENT NUMBER	
4 PLACES ± 0.2	3 PLACES ± 0.25	DRWN: TNAKAGAWA01	2023/06/02	SD-53748-005	DOC TYPE
10 <sup>UNDER</sup> ± 0.2	2 PLACES ± 0.3	CHK'D: SMARUYAMA	2023/06/02	PSD	DOC PART
10 <sup>OVER</sup> ± 0.25	1 PLACE ±	APPR: YNAITO	2023/06/02	001	REVISION
30 <sup>OVER</sup> ± 0.3	0 PLACES ±	INITIAL REVISION:	2008/12/08	F	
ANGULAR ± 3°		DRWN: NAKAMURAA	2009/01/09	SHEET NUMBER	
DRAFT WHERE APPLICABLE MUST REMAIN WITHIN DIMENSIONS	DRAFT WHERE APPLICABLE MUST REMAIN WITHIN DIMENSIONS	THIRD ANGLE PROJECTION	DRAWING	SERIES	MATERIAL NUMBER
		⊕	A3-SIZE	53748	CUSTOMER
					GENERAL
					SEE TABLE
					5 OF 5