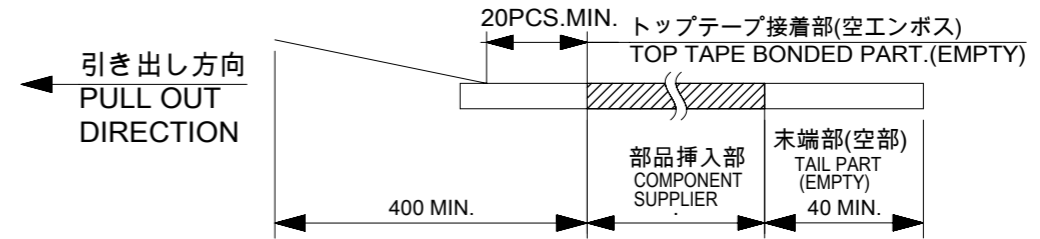
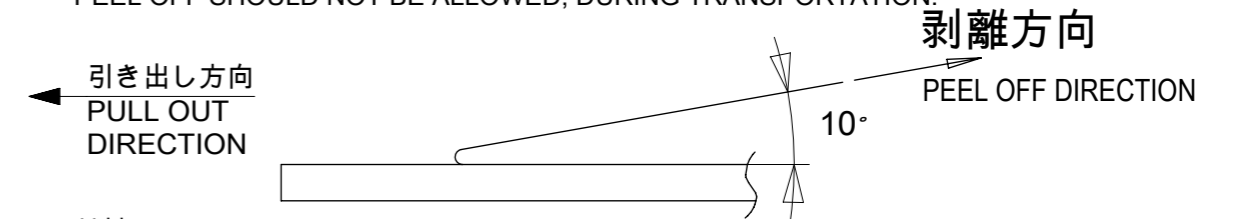


NOTES

1. 製品詳細寸法については、527931000 DOC PART 000図面を参照下さい。
RE DETAILED DIMENSION, SEE 527931000 DOC PART 000
2. 梱包数量 : 1000個 / リール
NUMBER OF CONNECTORS : 1000 PCS/REEL
3. リードテープ長さ LEAD TAPE LENGTH

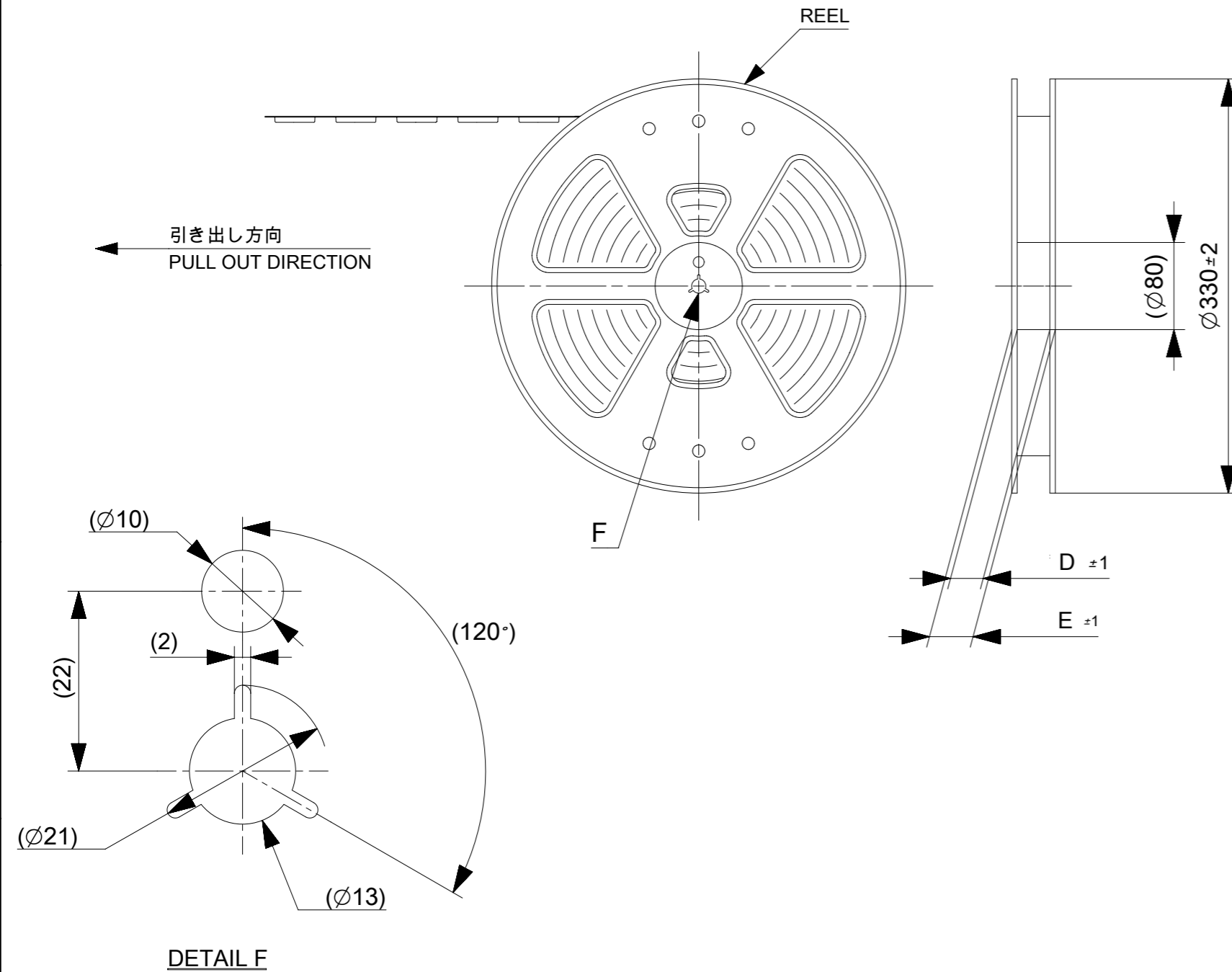


4. トップテープの剥離強度 : 0.1N-1.3N(10-130gf)(剥離方向は下図参照) 尚、本規格値は出荷時に適用。(但し、輸送時に剥離が発生しないこと。)
PEELING OFF FORCE OF TOP TAPE : 0.1N-1.3N(10-130gf)
(PEELING DIRECTION AS SHOWN IN FOLLOWING FIG.)
THIS REQUIREMENT SHOULD BE APPLIED AT SHIPMENT.
PEEL OFF SHOULD NOT BE ALLOWED, DURING TRANSPORTATION.



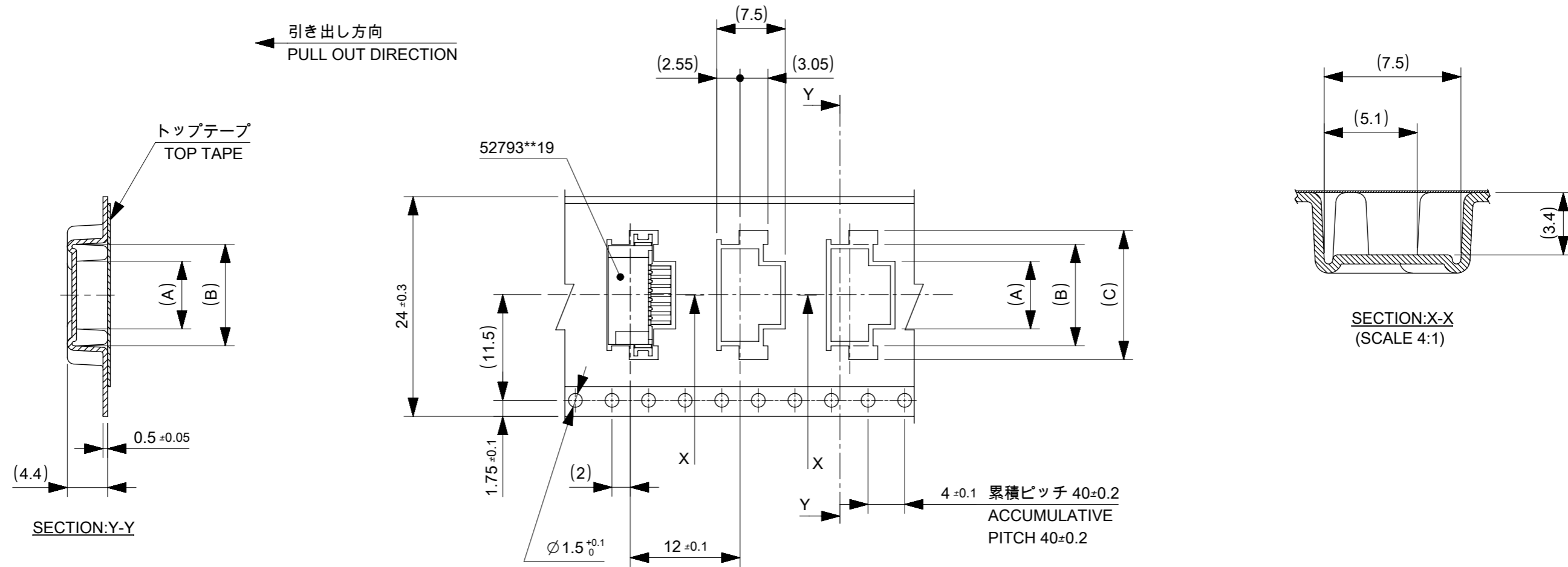
5. 材料(MATERIAL)
キャリアテープ(CARRIER TAPE) : ポリプロピレン(POLYPROPYLENE)
トップテープ(TOP TAPE) : PET, PE, PEF
リール(REEL) : ポリスチレン(PS) <リサイクル材を含む>
POLYSTYRENE(PS) <RECYCLE MATERIAL CONTAINED>

6. 本製品は 52793**90 の鉛フリー品である。
THIS PRODUCT IS LEAD FREE OF 52793**90.



52793**70 MODEL NO.

THIS DRAWING CONTAINS INFORMATION THAT IS PROPRIETARY TO MOLEX ELECTRONIC TECHNOLOGIES, LLC AND SHOULD NOT BE USED WITHOUT WRITTEN PERMISSION										
EC NO: 108819 DRWN: RLALSANGI CHK'D: KTAKAHASHI REV APPR: TKUSUHARA01	GENERAL TOLERANCES (UNLESS SPECIFIED)				DIMENSION UNITS	SCALE				
	ANGULAR TOL ± 3.0 °				MM	NTS				
	4 PLACES	±	0.2		DRWN BY	DATE	1.0 FFC CONN ASSY NON ZIF SMT RA UPPER CONTACT EMBSTP PKG -LEAD FREE-			
	3 PLACES	±	0.2		CHK'D BY	DATE				
	2 PLACES	±	0.25		KTAKAHASHI	2016/09/28				
1 PLACE	±	0.3		APPR BY	DATE	PRODUCT CUSTOMER DRAWING				
0 PLACES	±	0.3		TKUSUHARA01	2016/09/29					
DRAFT WHERE APPLICABLE MUST REMAIN WITHIN DIMENSIONS				DRAWING SIZE	THIRD ANGLE PROJECTION	SERIES	MATERIAL NUMBER	CUSTOMER		
				A3		52793		GENERAL		
						DOCUMENT NUMBER	DOC TYPE	DOC PART	SHEET NUMBER	
						527930000	PSD	000	1 OF 5	



24mm幅キャリアテープ
24mm WIDTH CARRIER TAPE

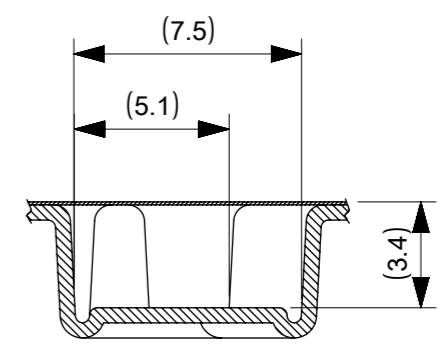
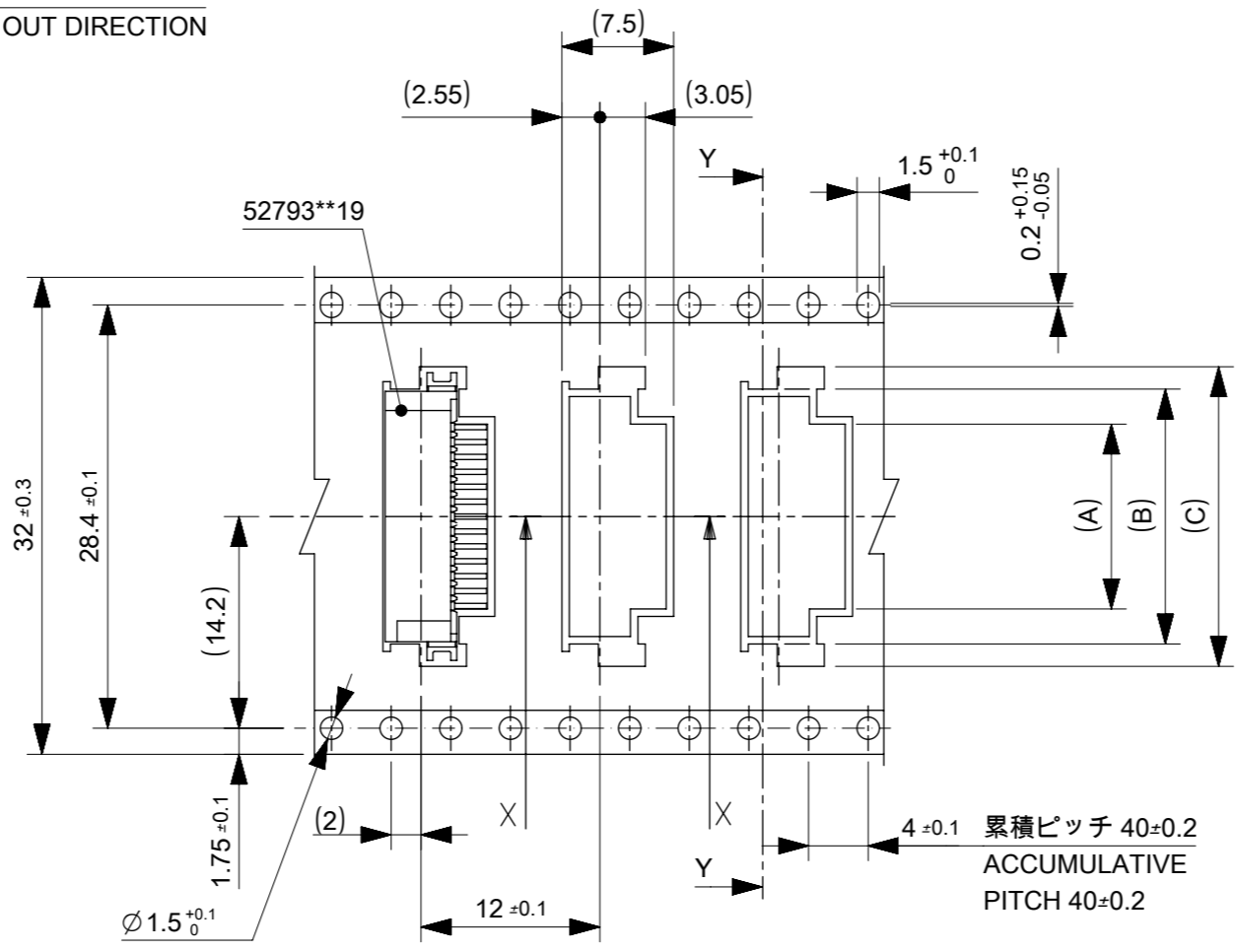
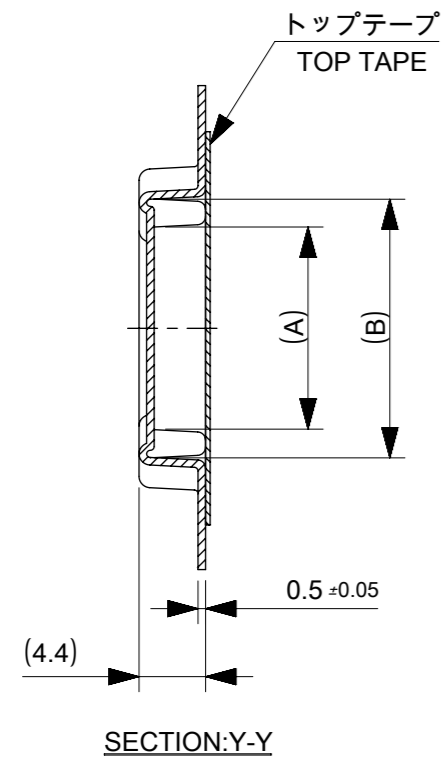
24	29.4	25.4	18.1	15.1	11.4	527931170	11	
			17.1	14.1	10.4	527931070	10	
			16.1	13.1	9.4	527930970	9	
			15.1	12.1	8.4	527930870	8	
			14.1	11.1	7.4	527930770	7	
			13.1	10.1	6.4	527930670	6	
			12.1	9.1	5.4	527930570	5	
			11.1	8.1	4.4	527930470	4	
キャリアテープ幅 CARRIER TAPE WIDTH		E	D	(C)	(B)	(A)	MATERIAL NO.	極数 CIRCUIT

52793**70 MODEL NO.

THIS DRAWING CONTAINS INFORMATION THAT IS PROPRIETARY TO MOLEX ELECTRONIC TECHNOLOGIES, LLC AND SHOULD NOT BE USED WITHOUT WRITTEN PERMISSION

EC NO: 108819 DRWN: RLALSANGI CHK'D: KTAKAHASHI APPR: TKUSUHARA01	2016/02/03	GENERAL TOLERANCES (UNLESS SPECIFIED)		DIMENSION UNITS	SCALE				
	2016/09/28	ANGULAR TOL ± 3.0 °		MM	NTS				
	2016/09/29	4 PLACES	± 0.2	DRWN BY	DATE	1.0 FFC CONN ASSY NON ZIF SMT RA UPPER CONTACT EMBSTP PKG -LEAD FREE-			
	RLALSANGI KTAKAHASHI TKUSUHARA01	3 PLACES	± 0.2	CHK'D BY	DATE				
		2 PLACES	± 0.25	KTAKAHASHI	2016/09/28				
		1 PLACE	± 0.3	APPR BY	DATE				
0 PLACES		± 0.3	TKUSUHARA01	2016/09/29					
DRAFT WHERE APPLICABLE MUST REMAIN WITHIN DIMENSIONS		DRAWING SIZE	THIRD ANGLE PROJECTION	PRODUCT CUSTOMER DRAWING					
A	REV	A3		SERIES	MATERIAL NUMBER	CUSTOMER			
				52793		GENERAL			
				DOCUMENT NUMBER	DOC TYPE	DOC PART	SHEET NUMBER		
				527930000	PSD	000	2 OF 5		

引き出し方向
PULL OUT DIRECTION



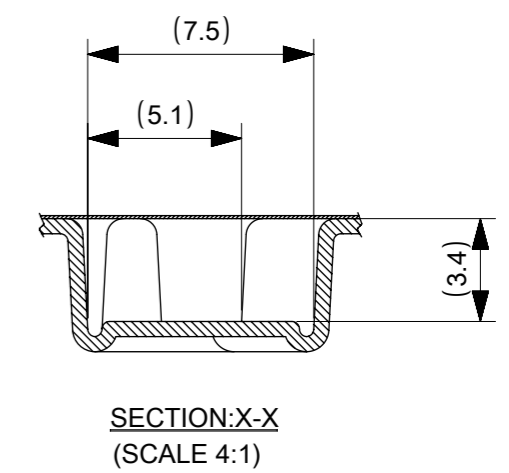
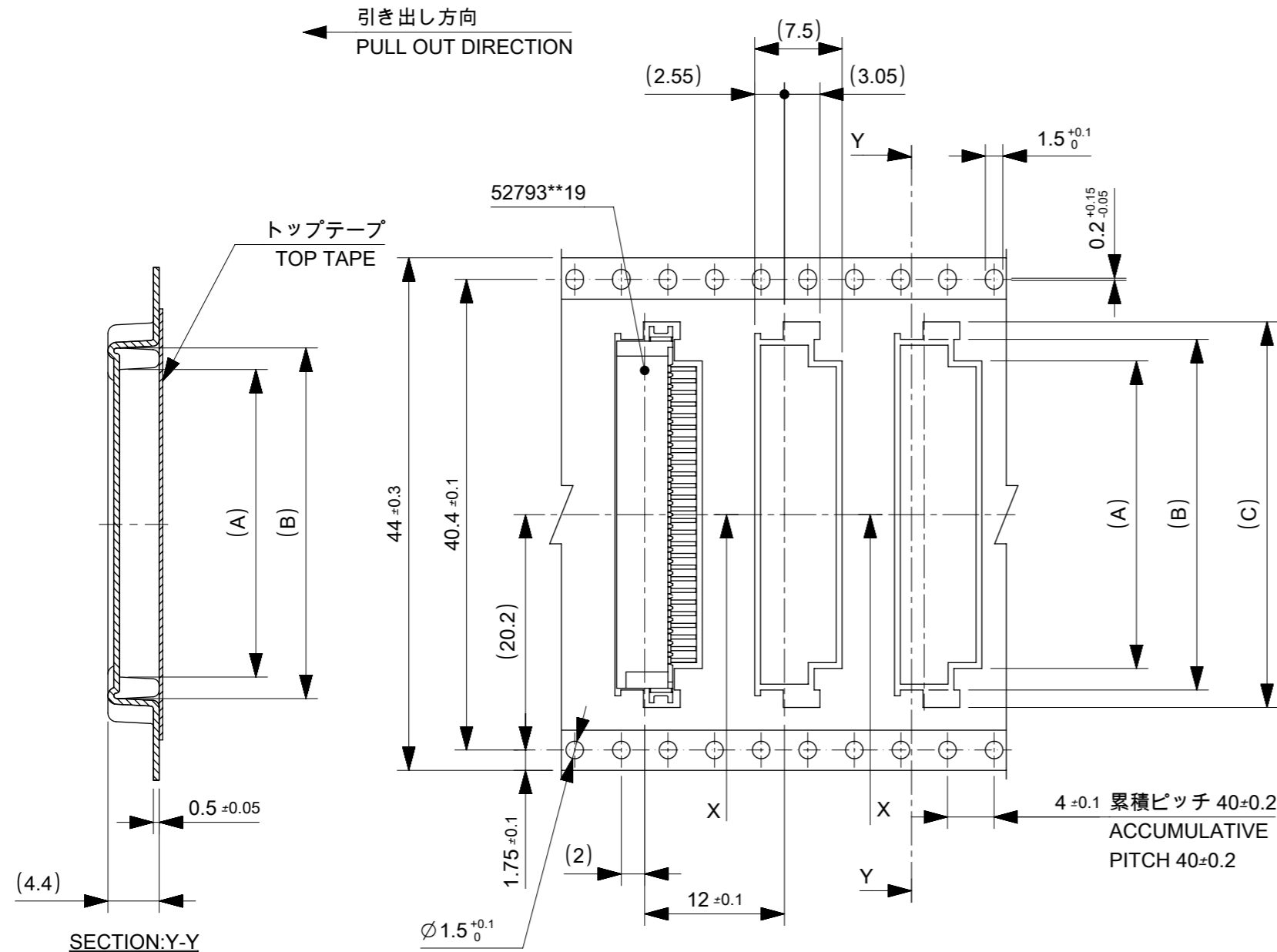
32mm 幅キャリアテープ
32mm WIDTH CARRIER TAPE

32	37.4	33.4	23.1	20.1	16.4	527931670	16
			22.1	19.1	15.4	527931570	15
			21.1	18.1	14.4	527931470	14
			20.1	17.1	13.4	527931370	13
			19.1	16.1	12.4	527931270	12
キャリアテープ幅 CARRIER TAPE WIDTH	E	D	(C)	(B)	(A)	MATERIAL NO.	極数 CIRCUIT

52793**70 MODEL NO.

THIS DRAWING CONTAINS INFORMATION THAT IS PROPRIETARY TO MOLEX ELECTRONIC TECHNOLOGIES, LLC AND SHOULD NOT BE USED WITHOUT WRITTEN PERMISSION

EC NO: 108819 DRWN: RLALSANGI CHK'D: KTAKAHASHI APPR: TKUSUHARA01	2016/02/03	GENERAL TOLERANCES (UNLESS SPECIFIED)	DIMENSION UNITS	SCALE				
	2016/09/28	ANGULAR TOL ± 3.0 °	MM	NTS				
	2016/09/29	4 PLACES ± 0.2	DRWN BY	DATE				
		3 PLACES ± 0.2	RLALSANGI	2016/02/03				
		2 PLACES ± 0.25	CHK'D BY	DATE				
	1 PLACE ± 0.3	KTAKAHASHI	2016/09/28		1.0 FFC CONN ASSY NON ZIF SMT RA UPPER CONTACT EMBSTP PKG -LEAD FREE-			
	0 PLACES ± 0.3	APPR BY	DATE					
	DRAFT WHERE APPLICABLE MUST REMAIN WITHIN DIMENSIONS	TKUSUHARA01	2016/09/29					
		DRAWING SIZE	THIRD ANGLE PROJECTION		PRODUCT CUSTOMER DRAWING			
		A3			SERIES	MATERIAL NUMBER	CUSTOMER	
					52793		GENERAL	
					DOCUMENT NUMBER	DOC TYPE	DOC PART	SHEET NUMBER
					527930000	PSD	000	3 OF 5

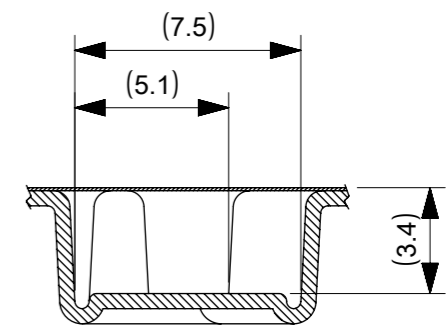
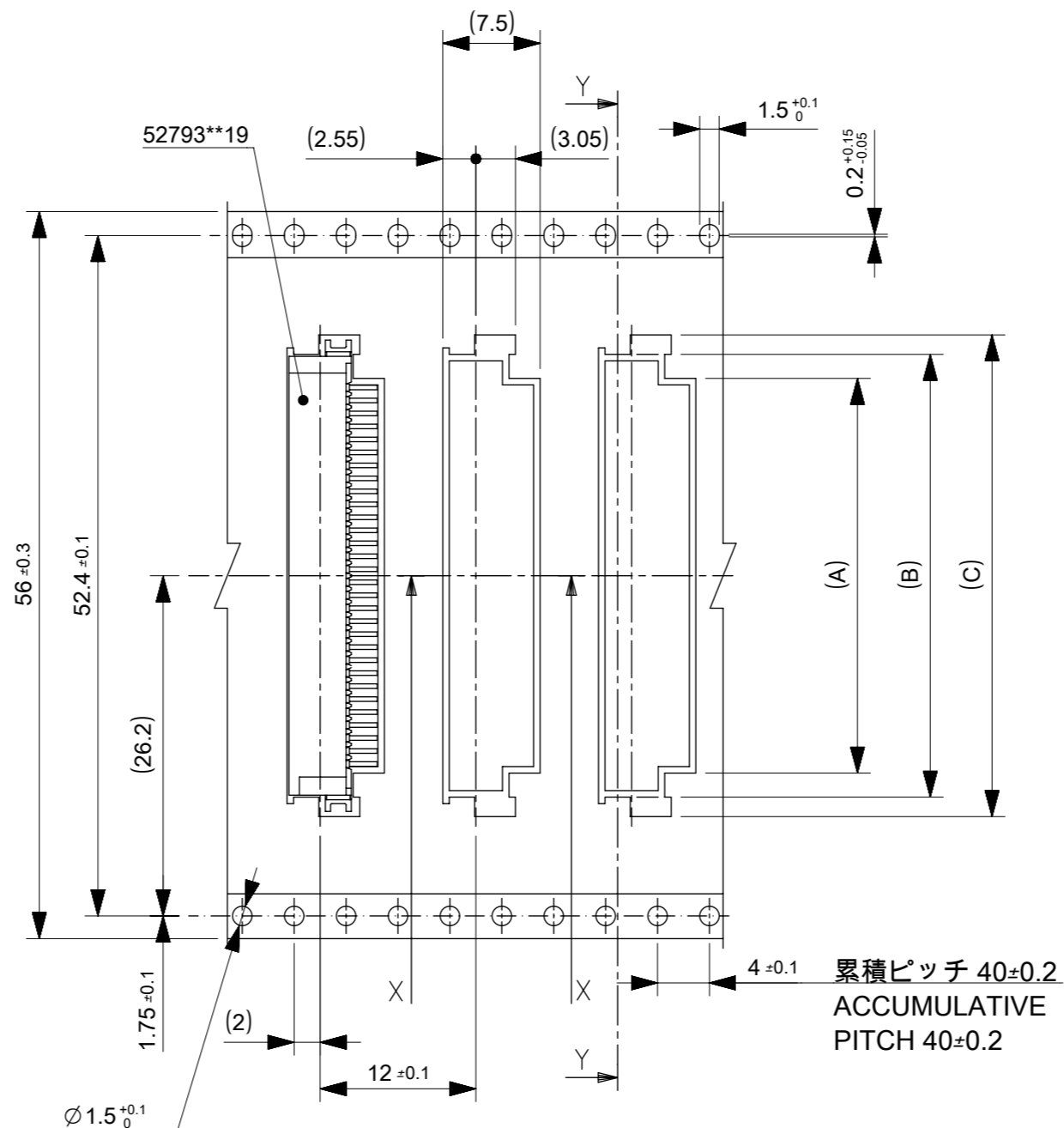
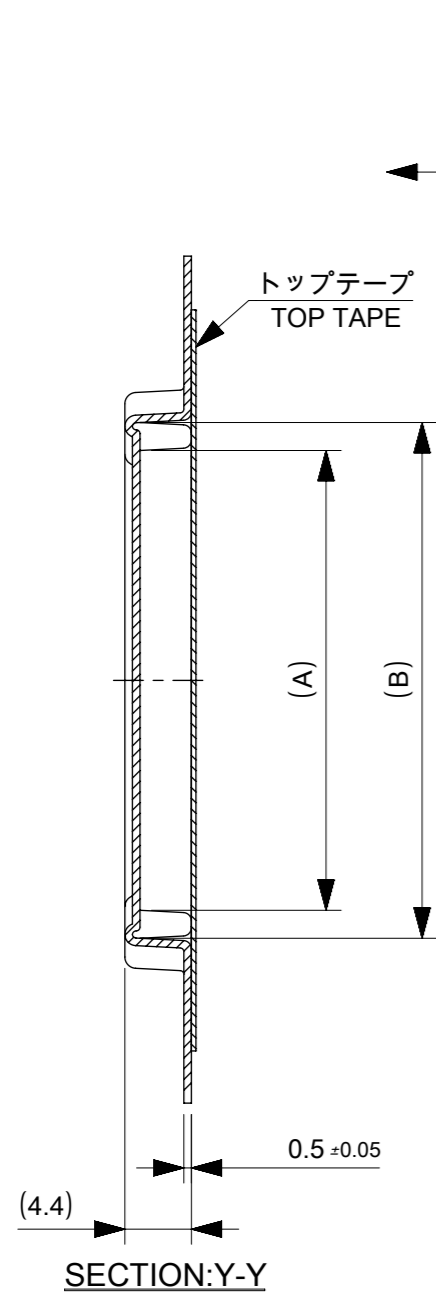


44	49.4	45.4	34.1	31.1	27.4	527932770	27		
			33.1	30.1	26.4	527932670	26		
			32.1	29.1	25.4	527932570	25		
			31.1	28.1	24.4	527932470	24		
			30.1	27.1	23.4	527932370	23		
			29.1	26.1	22.4	527932270	22		
			28.1	25.1	21.4	527932170	21		
			27.1	24.1	20.4	527932070	20		
			26.1	23.1	19.4	527931970	19		
			25.1	22.1	18.4	527931870	18		
			24.1	21.1	17.4	527931770	17		
			キャリアテープ幅 CARRIER TAPE WIDTH			E	D	(C)	(B)
							52793**70	MODEL NO.	

44mm幅キャリアテープ
44mm WIDTH CARRIER TAPE

THIS DRAWING CONTAINS INFORMATION THAT IS PROPRIETARY TO MOLEX ELECTRONIC TECHNOLOGIES, LLC AND SHOULD NOT BE USED WITHOUT WRITTEN PERMISSION

EC NO: 108819 DRWN: RLALSANGI CHK'D: KTAKAHASHI APPR: TKUSUHARA01	2016/02/03	GENERAL TOLERANCES (UNLESS SPECIFIED)		DIMENSION UNITS	SCALE				
	2016/09/28	ANGULAR TOL ± 3.0 °		MM	NTS				
	2016/09/29	4 PLACES	± 0.2	DRWN BY	DATE				
		3 PLACES	± 0.2	RLALSANGI	2016/02/03				
		2 PLACES	± 0.25	CHK'D BY	DATE				
	1 PLACE	± 0.3	KTAKAHASHI	2016/09/28					
	0 PLACES	± 0.3	APPR BY	DATE					
			TKUSUHARA01	2016/09/29					
DRAFT WHERE APPLICABLE MUST REMAIN WITHIN DIMENSIONS			DRAWING SIZE	THIRD ANGLE PROJECTION		PRODUCT CUSTOMER DRAWING			
			A3			SERIES	MATERIAL NUMBER	CUSTOMER	
						52793		GENERAL	
						DOCUMENT NUMBER	DOC TYPE	DOC PART	SHEET NUMBER
						527930000	PSD	000	4 OF 5



SECTION:X-X
(SCALE 4:1)

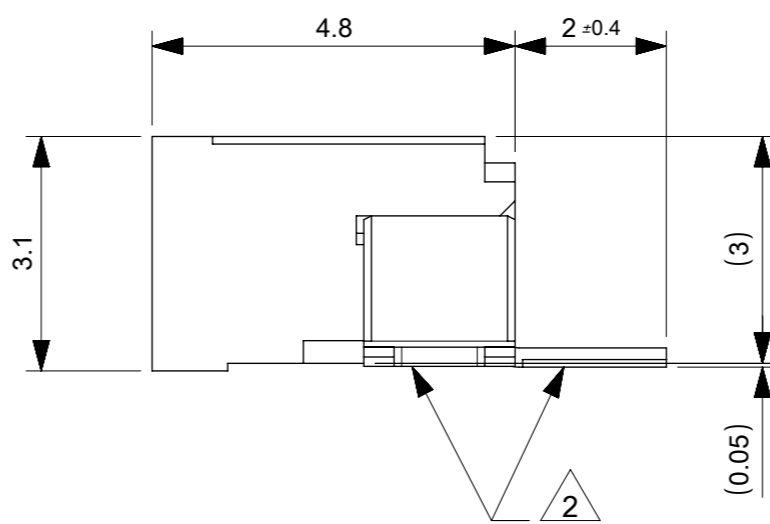
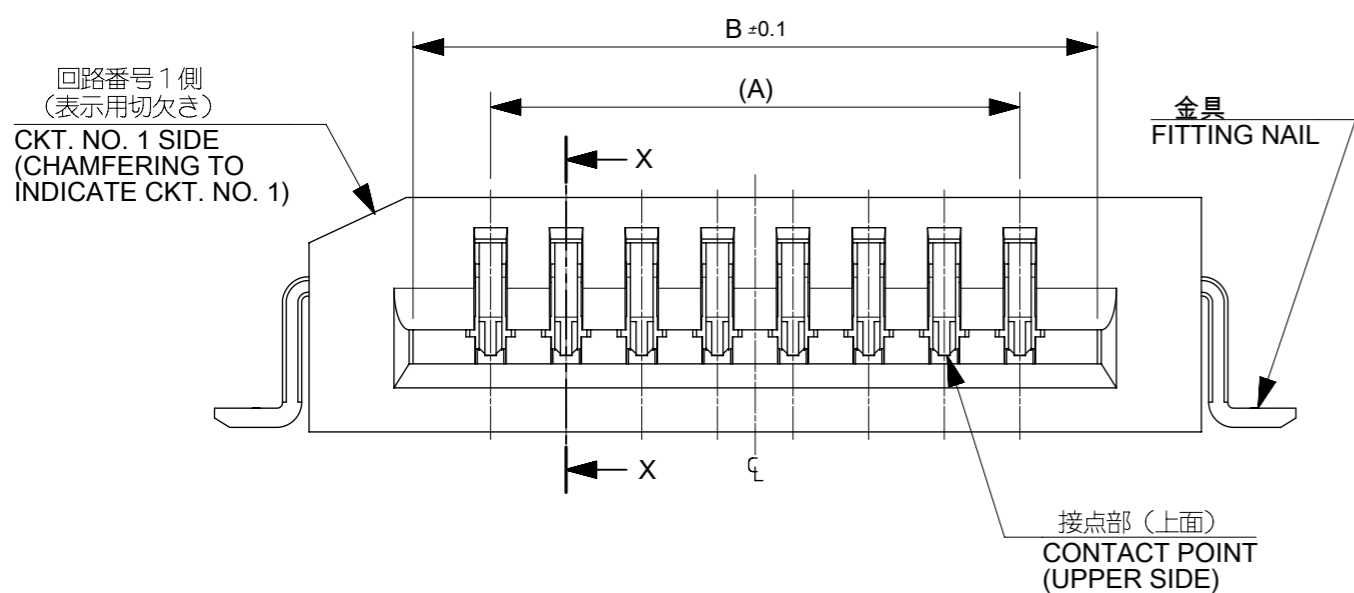
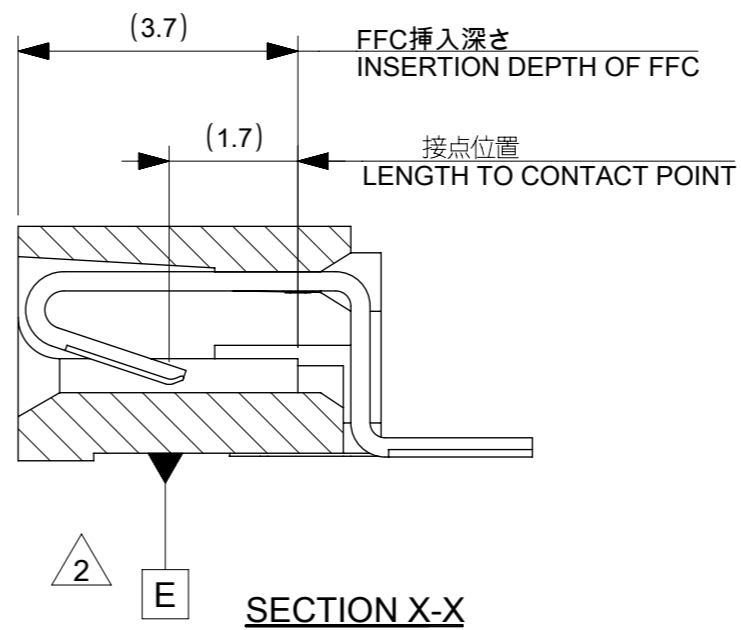
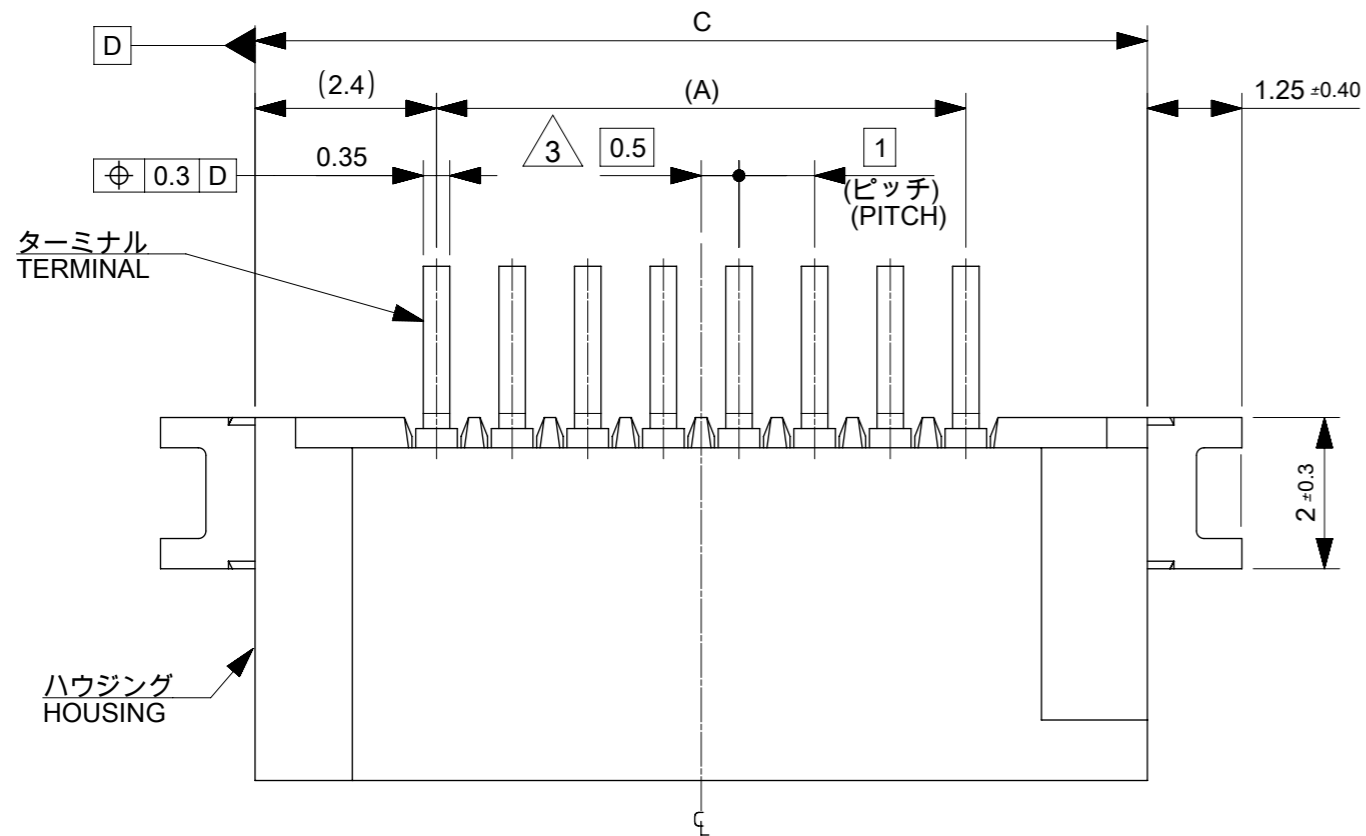
56mm 幅キャリアテープ
56mm WIDTH CARRIER TAPE

56	61.4	57.4	37.1	34.1	30.4	527933070	30
			36.1	33.1	29.4	527932970	29
			35.1	32.1	28.4	527932870	28
キャリアテープ幅 CARRIER TAPE WIDTH	E	D	(C)	(B)	(A)	MATERIAL NO.	極数 CIRCUIT

52793**70 MODEL NO.

THIS DRAWING CONTAINS INFORMATION THAT IS PROPRIETARY TO MOLEX ELECTRONIC TECHNOLOGIES, LLC AND SHOULD NOT BE USED WITHOUT WRITTEN PERMISSION

EC NO: 108819 DRWN: RLALSANGI CHK'D: KTAKAHASHI APPR: TKUSUHARA01	2016/02/03	GENERAL TOLERANCES (UNLESS SPECIFIED)		DIMENSION UNITS	SCALE	
	2016/09/28	ANGULAR TOL ± 3.0 °		MM	NTS	
	2016/09/29	4 PLACES	± 0.2	DRWN BY	DATE	
		3 PLACES	± 0.2	RLALSANGI	2016/02/03	
		2 PLACES	± 0.25	CHK'D BY	DATE	
	1 PLACE	± 0.3	KTAKAHASHI	2016/09/28		
	0 PLACES	± 0.3	APPR BY	DATE		
			TKUSUHARA01	2016/09/29		
			DRAFT WHERE APPLICABLE MUST REMAIN WITHIN DIMENSIONS	DRAWING SIZE	THIRD ANGLE PROJECTION	1.0 FFC CONN ASSY NON ZIF SMT RA UPPER CONTACT EMBSTP PKG -LEAD FREE-
				A3		PRODUCT CUSTOMER DRAWING
						SERIES: 52793
						MATERIAL NUMBER
						CUSTOMER: GENERAL
						DOCUMENT NUMBER: 527930000
						DOC TYPE: PSD
						DOC PART: 000
						SHEET NUMBER: 5 OF 5

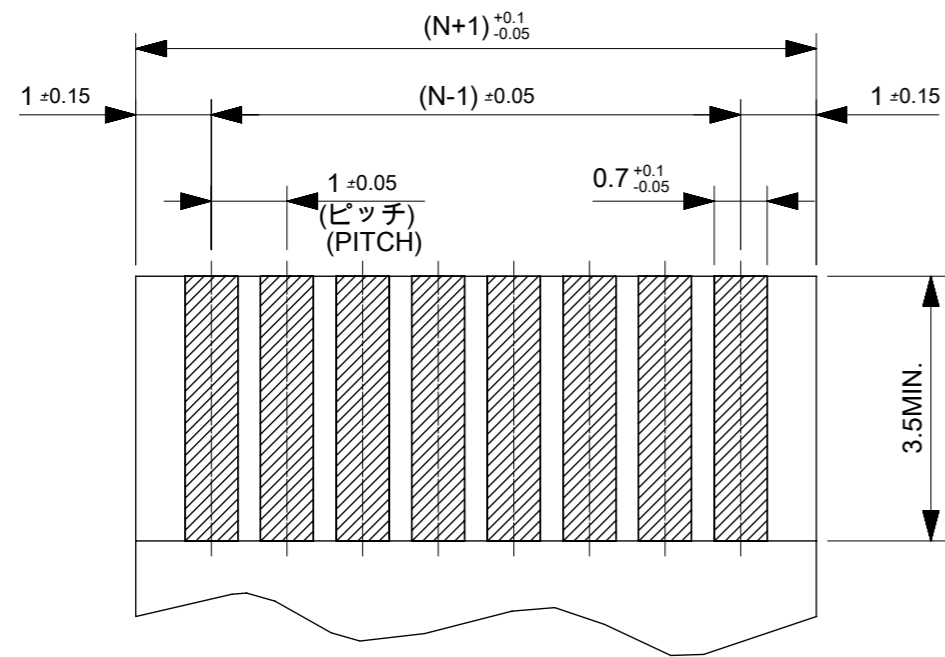


33.8	31.05	29	527933019	30
32.8	30.05	28	527932919	29
31.8	29.05	27	527932819	28
30.8	28.05	26	527932719	27
29.8	27.05	25	527932619	26
28.8	26.05	24	527932519	25
27.8	25.05	23	527932419	24
26.8	24.05	22	527932319	23
25.8	23.05	21	527932219	22
24.8	22.05	20	527932119	21
23.8	21.05	19	527932019	20
22.8	20.05	18	527931919	19
21.8	19.05	17	527931819	18
20.8	18.05	16	527931719	17
19.8	17.05	15	527931619	16
18.8	16.05	14	527931519	15
17.8	15.05	13	527931419	14
16.8	14.05	12	527931319	13
15.8	13.05	11	527931219	12
14.8	12.05	10	527931119	11
13.8	11.05	9	527931019	10
12.8	10.05	8	527930919	9
11.8	9.05	7	527930819	8
10.8	8.05	6	527930719	7
9.8	7.05	5	527930619	6
8.8	6.05	4	527930519	5
7.8	5.05	3	527930419	4
6.8	4.05	2	527930319	3
C	B	A	MATERIAL NO.	極数 CIRCUIT

THIS DRAWING CONTAINS INFORMATION THAT IS PROPRIETARY TO MOLEX ELECTRONIC TECHNOLOGIES, LLC AND SHOULD NOT BE USED WITHOUT WRITTEN PERMISSION

EC NO: 108819 DRWN: GB CHK'D: KTAKAHASHI APPR: TKUSUHARA01	2016/01/19	GENERAL TOLERANCES (UNLESS SPECIFIED)	DIMENSION UNITS	SCALE
	2016/09/28	ANGULAR TOL ± 3.0 °	MM	10:1
	2016/09/29	4 PLACES ± 0.2	DRWN BY	DATE
		3 PLACES ± 0.2	GB	2016/01/19
		2 PLACES ± 0.25	CHK'D BY	DATE
	1 PLACE ± 0.3	KTAKAHASHI	2016/09/28	
	0 PLACES ± 0.3	APPR BY	DATE	
		TKUSUHARA01	2016/09/29	
		DRAFT WHERE APPLICABLE MUST REMAIN WITHIN DIMENSIONS	DRAWING SIZE	THIRD ANGLE PROJECTION
			A3	

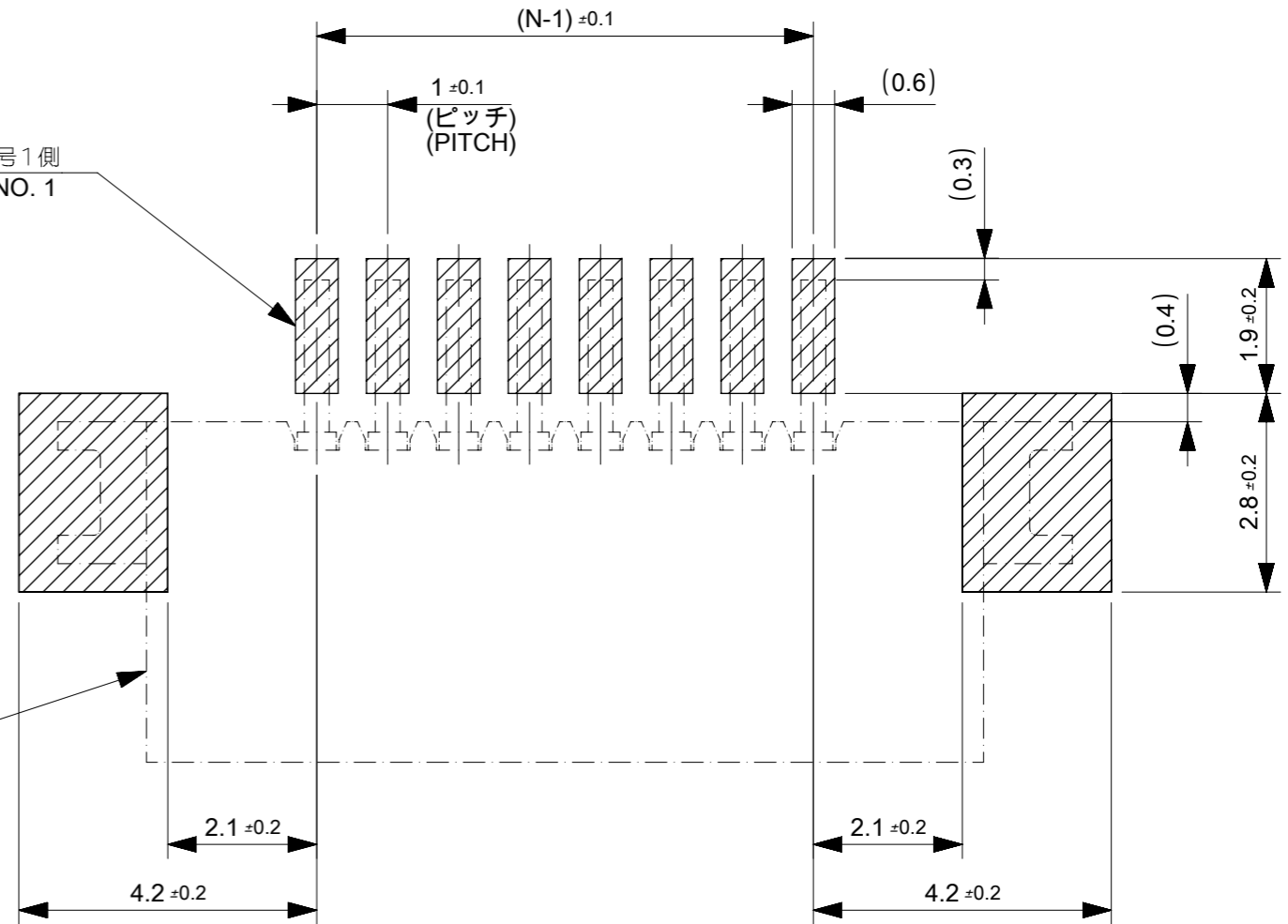
molex [®]			
1.0 FFC CONN NON ZIF SMT R/A (UPPER CONTACT) -LEAD FREE-			
PRODUCT CUSTOMER DRAWING			
SERIES	MATERIAL NUMBER	CUSTOMER	
52793		GENERAL	
DOCUMENT NUMBER	DOC TYPE	DOC PART	SHEET NUMBER
527931000	PSD	000	1 OF 2



(仕上がり厚さ0.3 ±0.03)
THICKNESS
適合FPC推奨寸法
APPLICABLE FPC
RECOMMENDED DIMENSION

回路番号1側
CKT. NO. 1
SIDE

コネクタ位置
CONNECTOR
POSITION



参考基板レイアウト (マウント面)
RECOMMENDED P.C. BOARD
PATTERN DIMENSION. (REF.)
(MOUNTING AREA)

注記 NOTES:

1. 使用材料 MATERIAL

ハウジング: PPS, UL94V-0	HOUSING: PPS, UL94V-0
ターミナル: リン青銅 (t=0.25)	TERMINAL: PHOSPHOR BRONZE
メッキ: ニッケル下地錫ピスマスメッキ	PLATING: Sn-Bi OVER Ni
金具: リン青銅 (t=0.25)	FITTING NAIL: PHOSPHOR BRONZE
メッキ: ニッケル下地純錫メッキ	PLATING: Sn OVER Ni
2. 基準面 [E] からの溶剤テールとフィッティングネイルの半田付け面のズレ量は、上方向に0.1 MAX.、下方向0.15 MAX.とする。
MISALIGNMENT OF SOLDER TAIL AND FITTING NAIL FROM [E]
: UPPER DIRECTION 0.1 MAX., LOWER DIRECTION 0.15 MAX..
3. 偶数極に適用。
APPLY FOR EVEN CKT..
4. 本製品は 52793 **10 の鉛フリー品である。
THIS PRODUCT IS LEAD FREE OF 52793**10.

THIS DRAWING CONTAINS INFORMATION THAT IS PROPRIETARY TO MOLEX ELECTRONIC TECHNOLOGIES, LLC AND SHOULD NOT BE USED WITHOUT WRITTEN PERMISSION

EC NO: 108819 DRWN: GB CHK'D: KTAKAHASHI APPR: TKUSUHARA01	GENERAL TOLERANCES (UNLESS SPECIFIED)		DIMENSION UNITS MM	SCALE 1:1							
	ANGULAR TOL ± 3.0 °		DRWN BY GB	DATE 2016/01/19					1.0 FFC CONN NON ZIF SMT R/A (UPPER CONTACT) -LEAD FREE-		
	4 PLACES ± 0.2	3 PLACES ± 0.2	2 PLACES ± 0.25	1 PLACE ± 0.3	0 PLACES ± 0.3	CHK'D BY KTAKAHASHI	DATE 2016/09/28	PRODUCT CUSTOMER DRAWING			
	DRAFT WHERE APPLICABLE MUST REMAIN WITHIN DIMENSIONS					APPR BY TKUSUHARA01	DATE 2016/09/29	SERIES 52793	MATERIAL NUMBER	CUSTOMER GENERAL	
	A	REV	A3	DRAWING SIZE	THIRD ANGLE PROJECTION	DOCUMENT NUMBER 527931000	DOC TYPE PSD	DOC PART 000	SHEET NUMBER 2 OF 2		