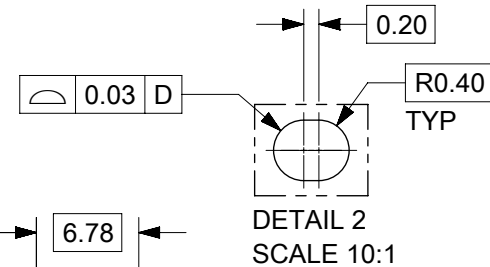
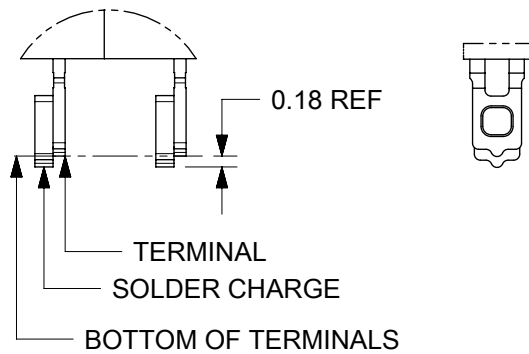
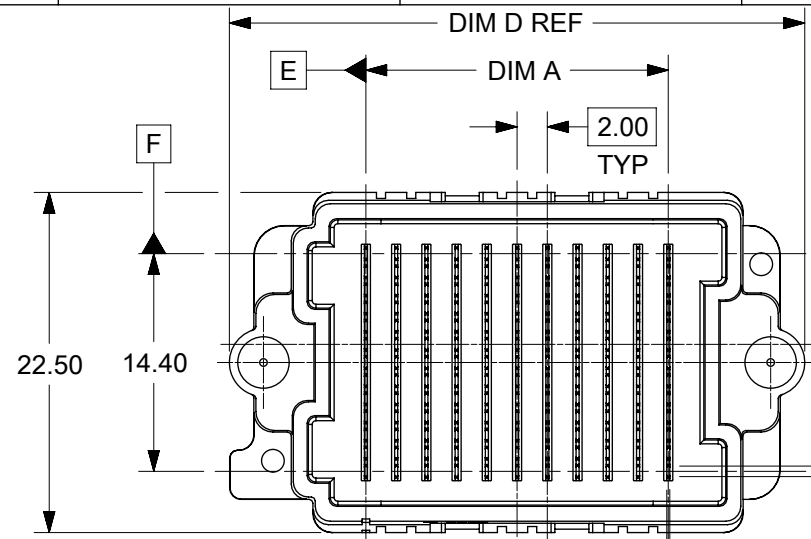


NOTES:

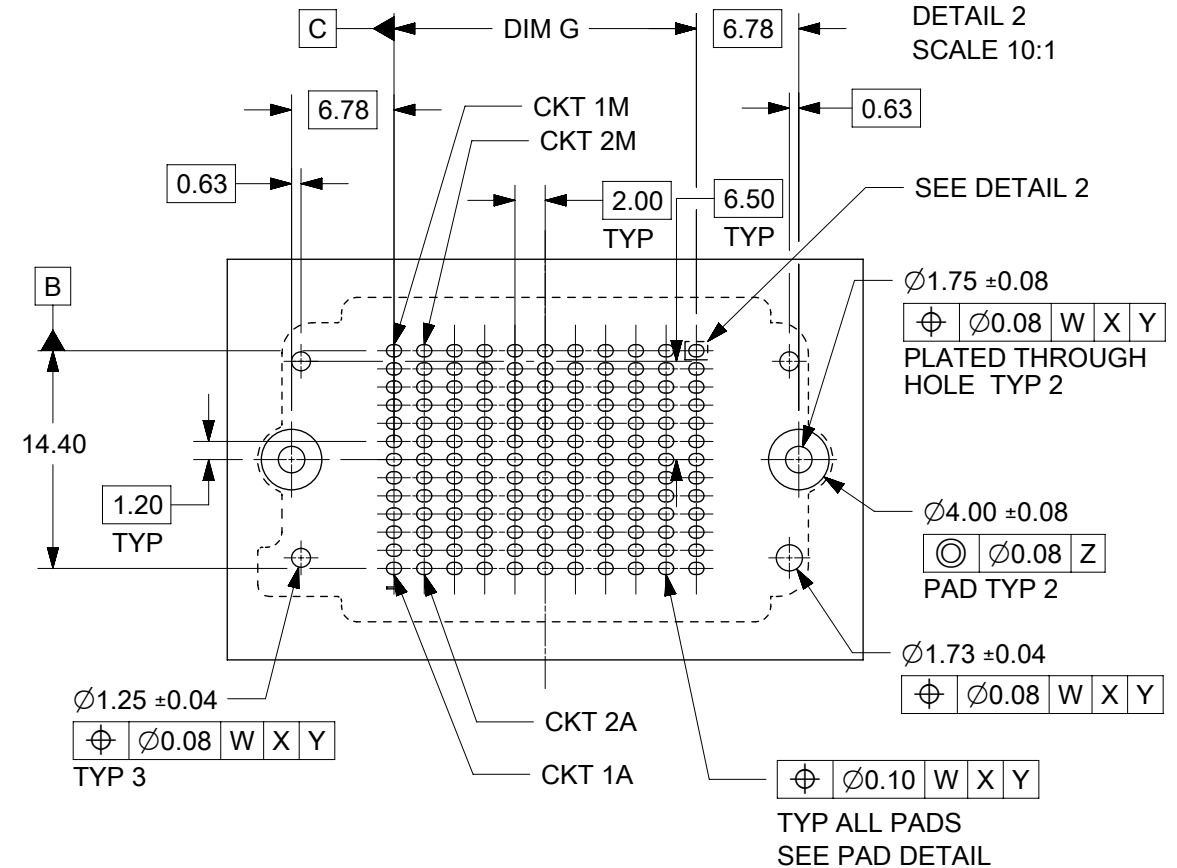
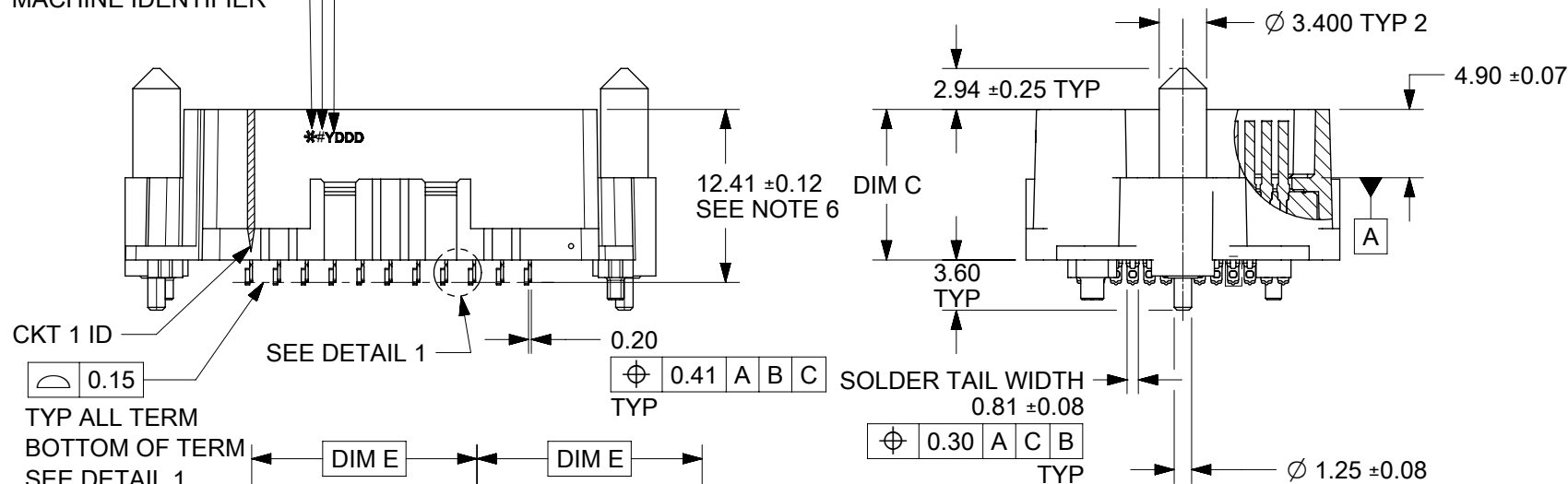
- HOUSING MATERIAL: LCP, GLASS FILLED, UL94V-0, BLACK
CONTACT MATERIAL: HIGH PERFORMANCE ALLOY
GUIDE PIN MATERIAL: STAINLESS STEEL
SOLDER CHARGE MATERIAL: TIN OR TIN/LEAD SEE TABLE
- CONTACT FINISH: SELECT GOLD: 30 MICRO-INCHES MINIMUM IN CONTACT AREA
SELECT TIN: 100 MICRO-INCHES MINIMUM IN TAIL AREA BOTH OVER NICKEL
- PRODUCT SPECIFICATION: PS-45802-001
- COSMETIC SPECIFICATION: PS-45499-002 CLASS B
- PACKAGING SPECIFICATION: PK-45830-001 OR PK-45830-0002 SEE TABLES
- DIM B (TYP) TO BE MEASURED AT TWO END COLUMNS ONLY.



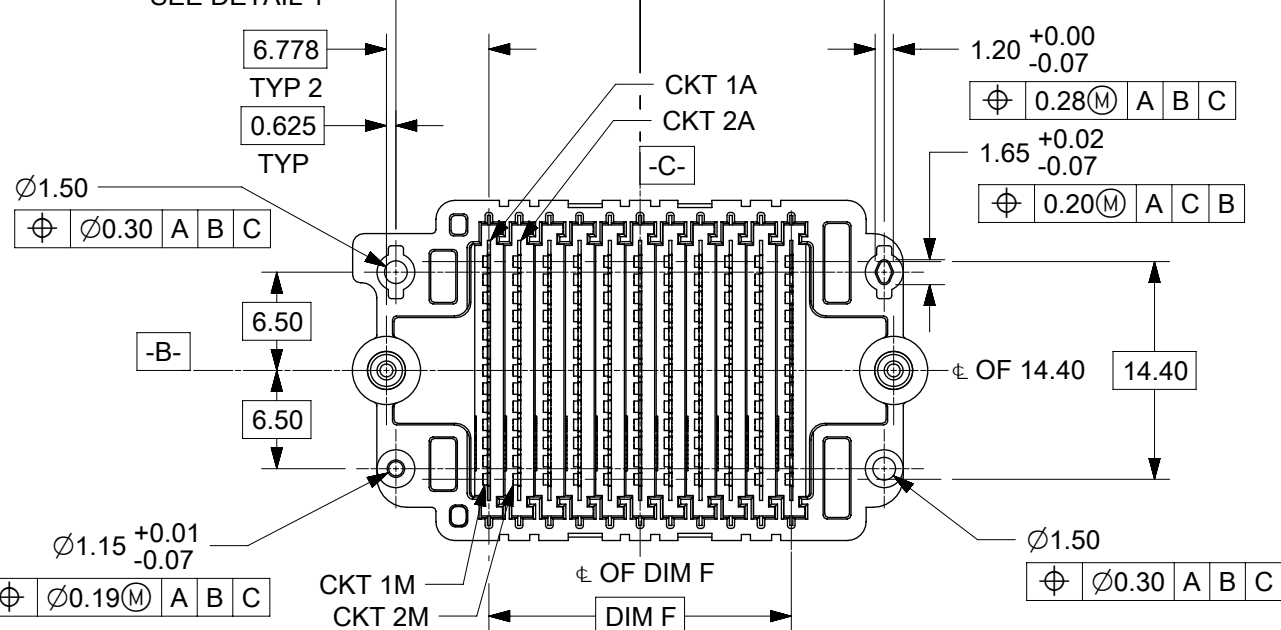
DATE CODE
YEAR-DAY OF YEAR
LOCATED APPROX AS SHOWN

LEAD CODE
0= TIN LEAD (Sn63/Pb37)
2= TIN (Sn95.5/aG3.8/cU0.7)

ASSY MACHINE IDENTIFIER

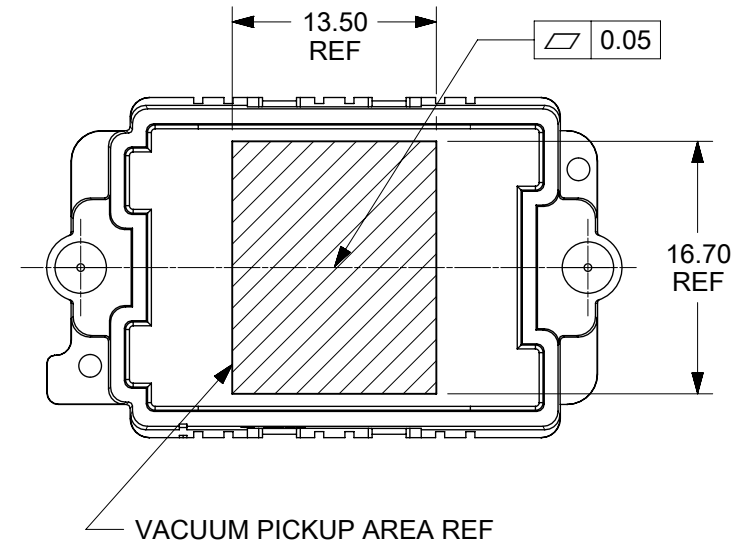


RECOMMENDED PCB LAYOUT: COMPONENT SIDE
PCB THICKNESS: NA



THIS DRAWING CONTAINS INFORMATION THAT IS PROPRIETARY TO MOLEX ELECTRONIC TECHNOLOGIES, LLC AND SHOULD NOT BE USED WITHOUT WRITTEN PERMISSION																										
DIMENSION UNITS: mm		SCALE: NTS		CURRENT REV DESC: DRAWING UPDATE ON DATUM, NOTE AND FEATURE FRAME. NO CHANGE IN FORM, FIT & FUNCTION.																						
GENERAL TOLERANCES (UNLESS SPECIFIED)				<table border="1"> <tr> <td colspan="3">molex</td> </tr> <tr> <td colspan="3">HDMEZZ PLUG ASSEMBLY WITH LONG GUIDE PINS</td> </tr> <tr> <td colspan="3">PRODUCT CUSTOMER DRAWING</td> </tr> <tr> <td>DOCUMENT NUMBER</td> <td>DOC TYPE</td> <td>DOC PART</td> <td>REVISION</td> </tr> <tr> <td>SD-45830-0001</td> <td>PSD</td> <td>001</td> <td>J4</td> </tr> </table>						molex			HDMEZZ PLUG ASSEMBLY WITH LONG GUIDE PINS			PRODUCT CUSTOMER DRAWING			DOCUMENT NUMBER	DOC TYPE	DOC PART	REVISION	SD-45830-0001	PSD	001	J4
molex																										
HDMEZZ PLUG ASSEMBLY WITH LONG GUIDE PINS																										
PRODUCT CUSTOMER DRAWING																										
DOCUMENT NUMBER	DOC TYPE	DOC PART	REVISION																							
SD-45830-0001	PSD	001	J4																							
ANGULAR TOL ± 0.5°																										
4 PLACES ±																										
3 PLACES ± 0.05																										
2 PLACES ± 0.15																										
1 PLACE ± 0.3																										
0 PLACES ±																										
DRAFT WHERE APPLICABLE MUST REMAIN WITHIN DIMENSIONS		THIRD ANGLE PROJECTION		DRAWING: B-SIZE		SERIES: 45830		MATERIAL NUMBER: SEE TABLE																		
CUSTOMER: GENERAL MARKET		SHEET NUMBER: 1 OF 3		DATE: 2021/04/14		TIME: 15:41:44		DATE: 2020/01/14																		

TIN PARTS LEAD CODE = "2"	STACK HEIGHT:						8mm	10mm	14mm	15mm	17mm	18mm
	DIM B						10.41	12.41	16.41	17.41	19.41	20.41
	DIM C						8.80	10.80	14.80	15.80	17.80	18.80
	ROWS	DIM A	DIM D	DIM E	DIM F	DIM G	MATERIAL NO	MATERIAL NO	MATERIAL NO	MATERIAL NO	MATERIAL NO	MATERIAL NO
11	20.00	38.06	16.15	20.00	20.00		45830-2211				45830-1211	
15	28.00	46.06	20.15	28.00	28.00	45830-0215						
23	44.00	62.06	28.15	44.00	44.00	45830-0223	45830-2223	45830-6223	45830-7223	45830-5223		



ALL PARTS ON THIS SHEET ARE
PACKED IN STANDARD MOLEX TRAYS
PER PK-48030-001


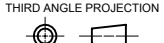
NOTE:
1. SOLDER CHARGE COMPOSITION
TIN/LEAD: Sn 63/Pb 37
TIN: Sn 95.5/ Ag 3.8/ Cu 0.7

THIS DRAWING CONTAINS INFORMATION THAT IS PROPRIETARY TO MOLEX ELECTRONIC TECHNOLOGIES, LLC AND SHOULD NOT BE USED WITHOUT WRITTEN PERMISSION												
DIMENSION UNITS	SCALE	CURRENT REV DESC: DRAWING UPDATE ON DATUM, NOTE AND FEATURE FRAME. NO CHANGE IN FORM, FIT & FUNCTION.						molex				
mm	NTS											
GENERAL TOLERANCES (UNLESS SPECIFIED)		EC NO: 660572						HDMEZZ PLUG ASSEMBLY WITH LONG GUIDE PINS				
ANGULAR TOL ± 0.5°		DRWN: HLG0H 2021/04/12						PRODUCT CUSTOMER DRAWING				
4 PLACES ±		CHK'D: YLLIM 2021/04/13						DOCUMENT NUMBER				
3 PLACES ± 0.05		APPR: DWLEE01 2021/04/14						SD-45830-0001		DOC TYPE	DOC PART	REVISION
2 PLACES ± 0.15		INITIAL REVISION:						PSD		001	J4	
1 PLACE ± 0.3		DRWN: TGREGORI 2010/09/09						MATERIAL NUMBER		CUSTOMER		
0 PLACES ±		APPR: JCOMERCI 2011/03/15						SEE TABLE		GENERAL MARKET		
DRAFT WHERE APPLICABLE MUST REMAIN WITHIN DIMENSIONS		THIRD ANGLE PROJECTION	DRAWING	SERIES	MATERIAL NUMBER	CUSTOMER	SHEET NUMBER					
			B-SIZE	45830	SEE TABLE	GENERAL MARKET	2 OF 3					

DOCUMENT STATUS	P1	RELEASE DATE	2021/04/14	15:41:44
-----------------	----	--------------	------------	----------

TIN PARTS LEAD CODE = "2"	STACK HEIGHT:						18mm
	DIM B						20.41
	DIM C						18.80
	ROWS	DIM A	DIM D	DIM E	DIM F	DIM G	MATERIAL NO
15	28.00	46.06	16.15	20.00	20.00	45830-1293 45830-0001	

ALL PARTS ON THIS SHEET ARE PACKED
IN JEDEC STYLE TRAYS PER PK-45830-0002

THIS DRAWING CONTAINS INFORMATION THAT IS PROPRIETARY TO MOLEX ELECTRONIC TECHNOLOGIES, LLC AND SHOULD NOT BE USED WITHOUT WRITTEN PERMISSION										
DIMENSION UNITS mm	SCALE NTS	CURRENT REV DESC: DRAWING UPDATE ON DATUM, NOTE AND FEATURE FRAME. NO CHANGE IN FORM, FIT & FUNCTION.								
GENERAL TOLERANCES (UNLESS SPECIFIED)		EC NO: 660572 DRWN: HLG0H 2021/04/12 CHK'D: YLLIM 2021/04/13 APPR: DWLEE01 2021/04/14								
ANGULAR TOL ± 0.5°		INITIAL REVISION:				DOCUMENT NUMBER		DOC TYPE	DOC PART	REVISION
4 PLACES ±		DRWN: TGREGORI 2010/09/09				SD-45830-0001		PSD	001	J4
3 PLACES ± 0.05		APPR: JCOMERCI 2011/03/15				SEE TABLE		GENERAL MARKET		SHEET NUMBER
2 PLACES ± 0.15		THIRD ANGLE PROJECTION				MATERIAL NUMBER		CUSTOMER		
1 PLACE ± 0.3						B-SIZE		45830		3 OF 3
0 PLACES ±		DRAFT WHERE APPLICABLE MUST REMAIN WITHIN DIMENSIONS								

DOCUMENT STATUS	P1	RELEASE DATE	2021/04/14	15:41:44
-----------------	----	--------------	------------	----------