

30 極以下品形状
SHAPE OF 30 CIRCUITS OR LESS

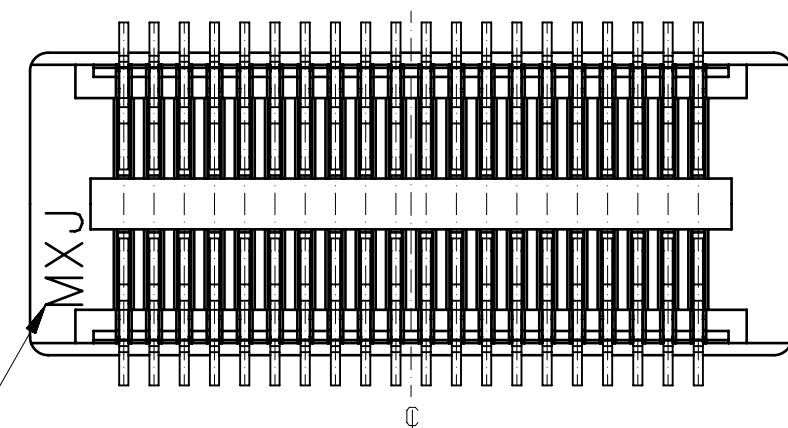
注記 NOTES:

- 使用材料 MATERIAL
ハウジング : 液晶ポリマーガラス充填, UL94V-0 (黒)
HOUSING : LIQUID CRYSTAL POLYMER (GLASS FILLED) UL94V-0 (COLOR:BLACK)
ターミナル : リン青銅 (t=0.15)
TERMINAL : PHOSPHOR BRONZE (t=0.15)
- メッキ仕様 PLATING
金メッキ 0.25 マイクロメートル以上 (コンタクト部)
GOLD 0.25 MICROMETER MINIMUM (CONTACT AREA).
金メッキ 0.4 マイクロメートル以下 (テール部)
GOLD 0.4 MICROMETER MAXIMUM (TAIL AREA).
下地メッキ: ニッケルメッキ 1.5 マイクロメートル以上
UNDER PLATING : NICKEL 1.5 MICROMETER MINIMUM.
*コンタクト部とテール部はニッケルメッキによって分断されている金メッキです。
DIVIDE INTO PARTS THE GOLD PLATING OF THE CONTACT AND THE TAIL PART BY THE NICKEL PLATING.

3. (全極数 / 2) = 偶数の場合に適用。
APPLY FOR (CIRCUIT/2)=EVEN.
4. 嵌合相手 : 55560シリーズ(嵌合高さ = 1.5mm)
MATE WITH : 55560 SERIES.(HEIGHT=1.5mm)
5. テール平坦度は、0.1以下
TAIL COPLANARITY TO BE 0.1 MAXIMUM.

8.0	7.0	10.1	54722-0304	30
6.5	5.5	8.6	54722-0244	24
6.0	5.0	8.1	54722-0224	22
5.5	4.5	7.6	54722-0204	20
4.5	3.5	6.6	54722-0164	16
C	B	A	Emboss tape Package ORDER No. オーダー番号	極数 CIRCUIT

CONNECTOR SERIES No. 54722-***3



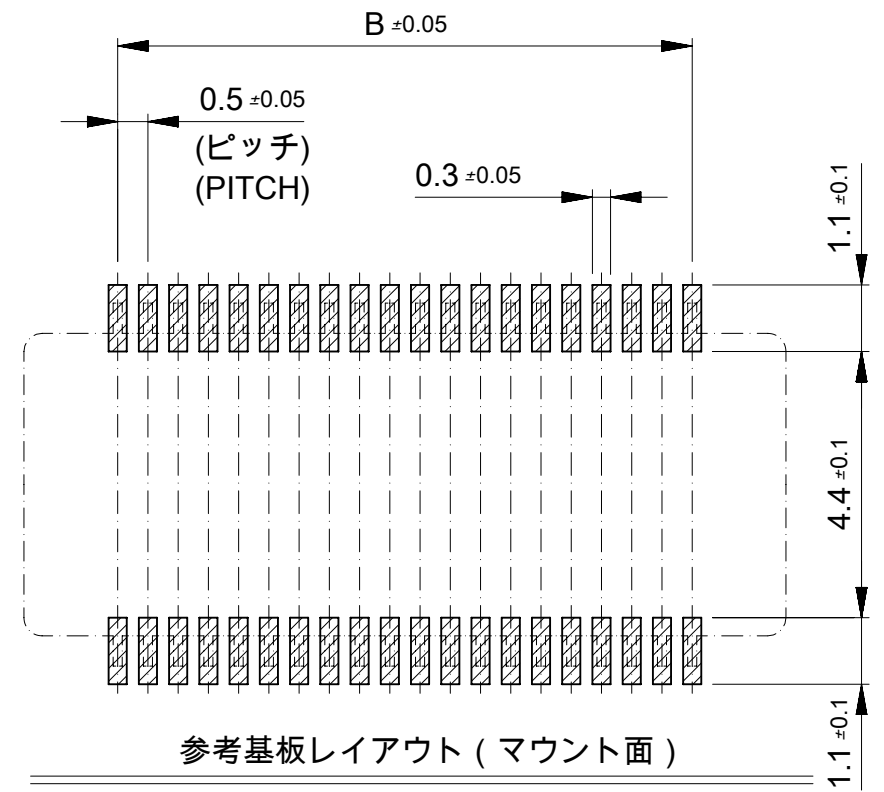
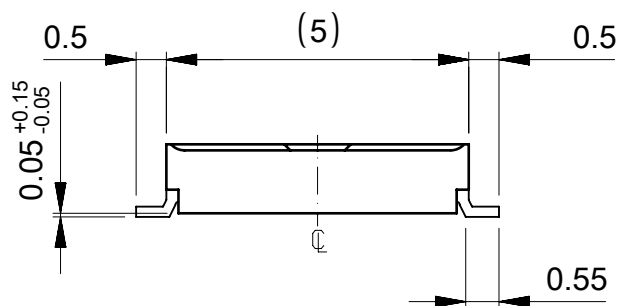
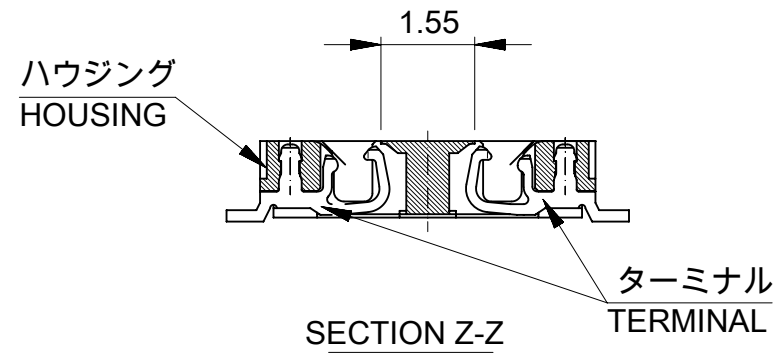
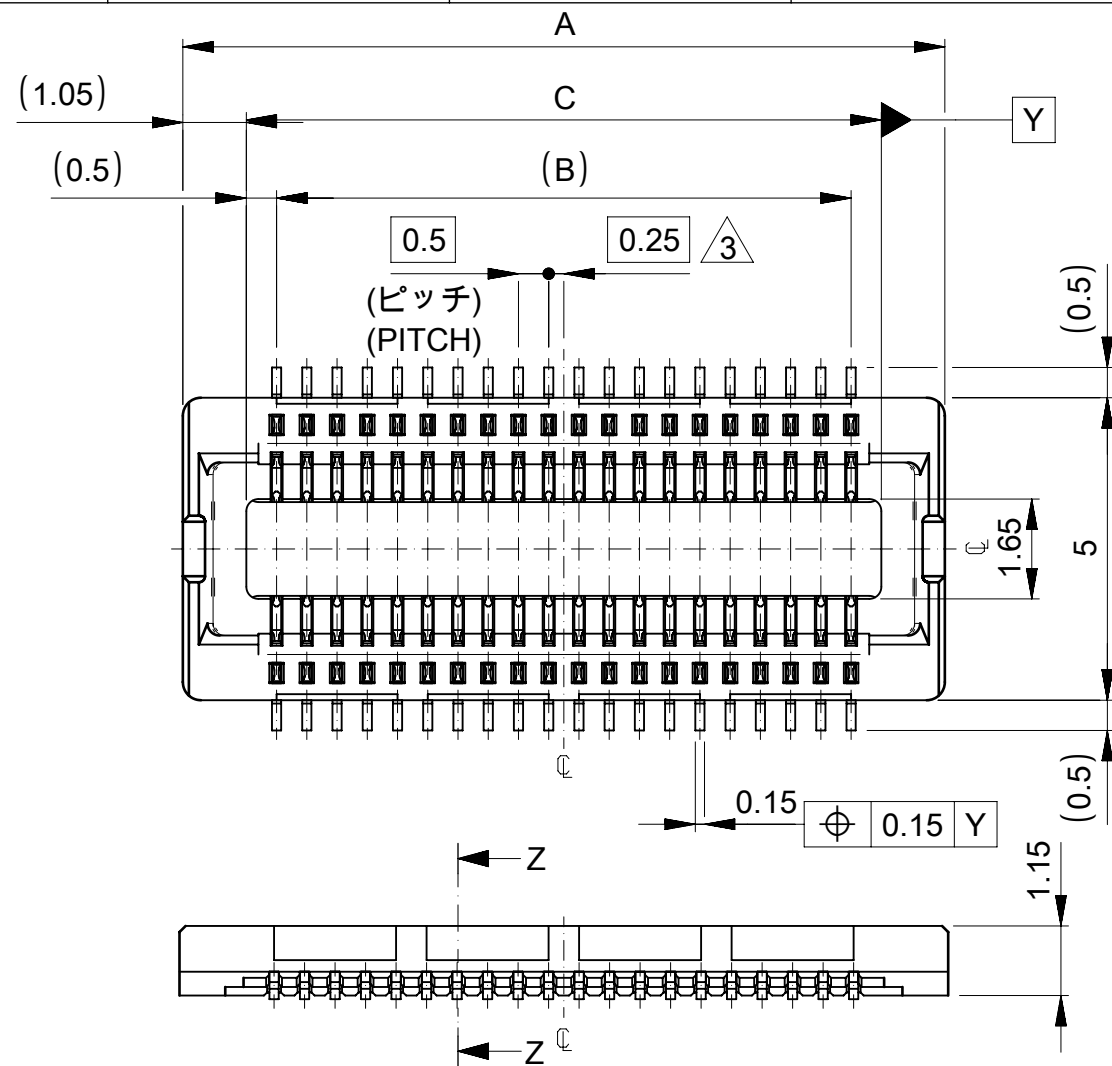
トレードマーク
TRADE MARK

THIS DRAWING CONTAINS INFORMATION THAT IS PROPRIETARY TO MOLEX ELECTRONIC TECHNOLOGIES, LLC AND SHOULD NOT BE USED WITHOUT WRITTEN PERMISSION
CURRENT REV DESC: REVISED

GENERAL TOLERANCES (UNLESS SPECIFIED)		mm	SCALE
0.25 ^{UNDER}	±0.2	8:1	
0.25 ^{OVER} 0.5 ^{UNDER}	±0.2		
0.5 ^{OVER} 1.0 ^{UNDER}	±0.2		
1.0 ^{OVER} 1.0 ^{UNDER}	±0.2		
1.0 ^{OVER} 3.0 ^{UNDER}	±0.25		
3.0 ^{OVER}	±0.3		
ANGULAR+3°			
DRAFT WHERE APPLICABLE MUST REMAIN WITHIN DIMENSIONS		DRAFT WHERE APPLICABLE MUST REMAIN WITHIN DIMENSIONS	

EC NO: 642297	2020/07/29
DRWN: SCV	2020/11/30
CHK'D: HSHIMOMYAMA	2020/11/30
APPR: SHOSHIKAWA	2020/11/30
INITIAL REVISION:	
DRWN: T.ITO	2003/08/20
APPR: T.YAMAGUCHI	2003/08/20

molex			
0.5 MM PITCH B-TO-B CONN. HEIGHT = 1.5 RECEPTACLE			
PRODUCT CUSTOMER DRAWING			
DOCUMENT NUMBER	DOC TYPE	DOC PART	REVISION
SD-54722-011	PSD	001	D
MATERIAL NUMBER	CUSTOMER	SHEET NUMBER	
SEE TABLE	GENERAL	1 OF 3	



参考基板レイアウト (マウント面)
P.C.BOARD PATTERN DIMENSION (REFERENCE)
(MOUNTING AREA)

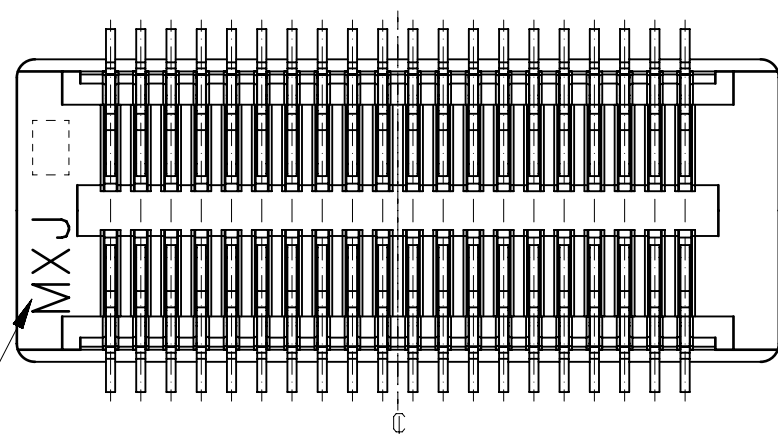
34 極以上品形状
SHAPE OF 34 CIRCUITS OR MORE

注記 NOTES:

1. 使用材料 MATERIAL
ハウジング : 液晶ポリマーガラス充填, UL94V-0 (黒)
HOUSING : LIQUID CRYSTAL POLYMER (GLASS FILLED)
UL94V-0 (COLOR:BLACK)
ターミナル : リン青銅 (t=0.15)
TERMINAL : PHOSPHOR BRONZE (t=0.15)
2. メッキ仕様 PLATING
金メッキ 0.25 マイクロメートル以上 (コンタクト部)
GOLD 0.25 MICROMETER MINIMUM (CONTACT AREA).
金メッキ 0.4 マイクロメートル以下 (テール部)
GOLD 0.4 MICROMETER MAXIMUM (TAIL AREA).
下地メッキ: ニッケルメッキ 1.5 マイクロメートル以上
UNDER PLATING : NICKEL 1.5 MICROMETER MINIMUM.

*コンタクト部とテール部はニッケルメッキによって分断されている金メッキです。
DIVIDE INTO PARTS THE GOLD PLATING OF THE CONTACT AND THE TAIL PART BY THE NICKEL PLATING.

3. (全極数 / 2) = 偶数の場合に適用。
APPLY FOR (CIRCUIT/2)=EVEN.
4. 嵌合相手 : 55560シリーズ(嵌合高さ = 1.5mm)
MATE WITH : 55560 SERIES.(HEIGHT=1.5mm)
5. テール平坦度は、0.1以下
TAIL COPLANARITY TO BE 0.1 MAXIMUM.



トレードマーク
TRADE MARK

20.5	19.5	22.6	54722-0804	80
15.5	14.5	17.6	54722-0604	60
13.0	12.0	15.1	54722-0504	50
10.5	9.5	12.6	54722-0404	40
9.5	8.5	11.6	54722-0364	36
9.0	8.0	11.1	54722-0344	34
C	B	A	Emboss tape Package ORDER No. オーダー番号	極数 CIRCUIT

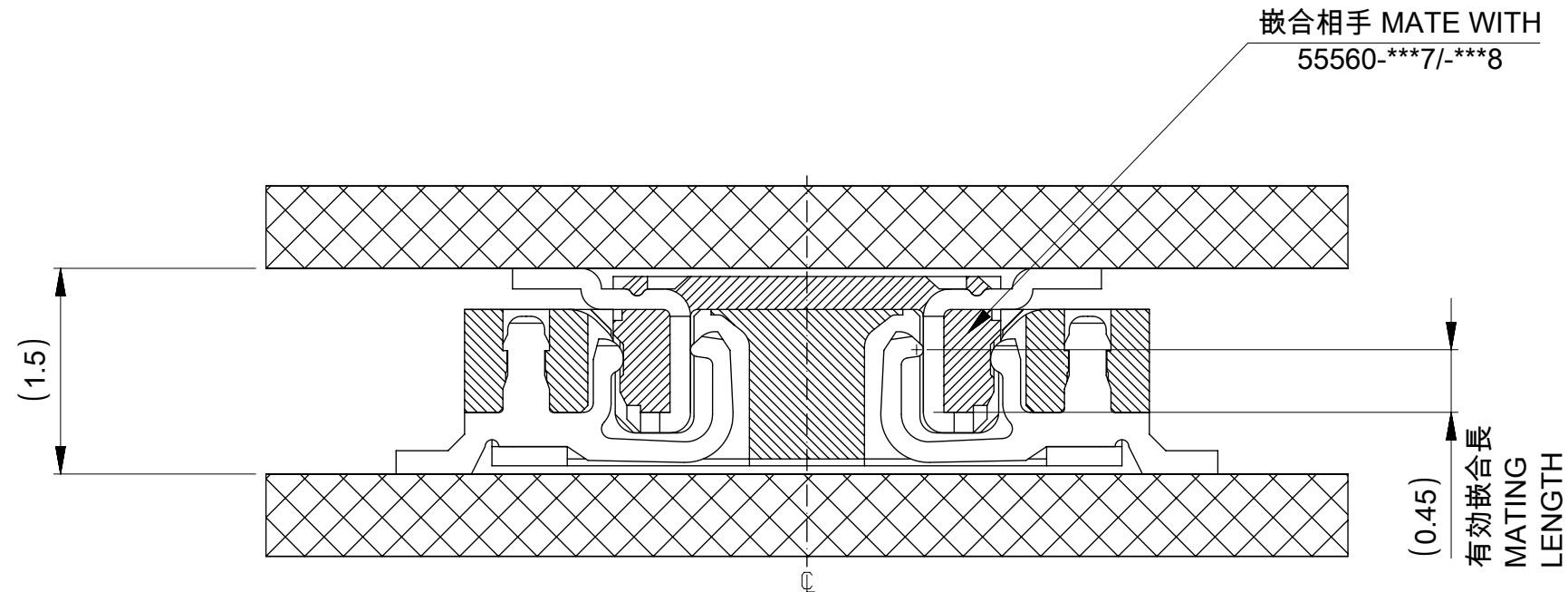
CONNECTOR SERIES No. 54722-***3

THIS DRAWING CONTAINS INFORMATION THAT IS PROPRIETARY TO MOLEX ELECTRONIC TECHNOLOGIES, LLC AND SHOULD NOT BE USED WITHOUT WRITTEN PERMISSION

GENERAL TOLERANCES (UNLESS SPECIFIED)		mm	SCALE
0.25 ^{UNDER}	±0.2	8:1	
0.25 ^{OVER} 0.5 ^{UNDER}	±0.2		
0.5 ^{OVER} 1.0 ^{UNDER}	±0.2		
1.0 ^{OVER} 10 ^{UNDER}	±0.2		
10 ^{OVER} 30 ^{UNDER}	±0.25		
30 ^{OVER}	±0.3		
ANGULAR+3°			
DRAFT WHERE APPLICABLE MUST REMAIN WITHIN DIMENSIONS		DRAFT WHERE APPLICABLE MUST REMAIN WITHIN DIMENSIONS	

EC NO: 642297	2020/07/29
DRWN: SCV	2020/11/30
CHK'D: HSHIMOMYAMA	2020/11/30
APPR: SHOSHIKAWA	2020/11/30
INITIAL REVISION:	
DRWN: T.ITO	2003/08/20
APPR: T.YAMAGUCHI	2003/08/20

molex			
0.5 MM PITCH B-TO-B CONN. HEIGHT = 1.5 RECEPTACLE			
PRODUCT CUSTOMER DRAWING			
DOCUMENT NUMBER	DOC TYPE	DOC PART	REVISION
SD-54722-011	PSD	001	D
MATERIAL NUMBER	CUSTOMER	SHEET NUMBER	
SEE TABLE	GENERAL	2 OF 3	

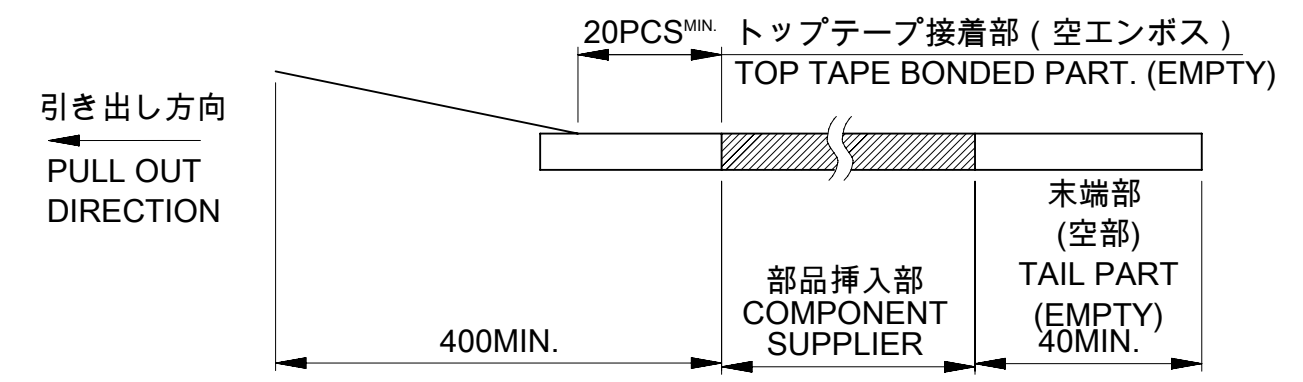
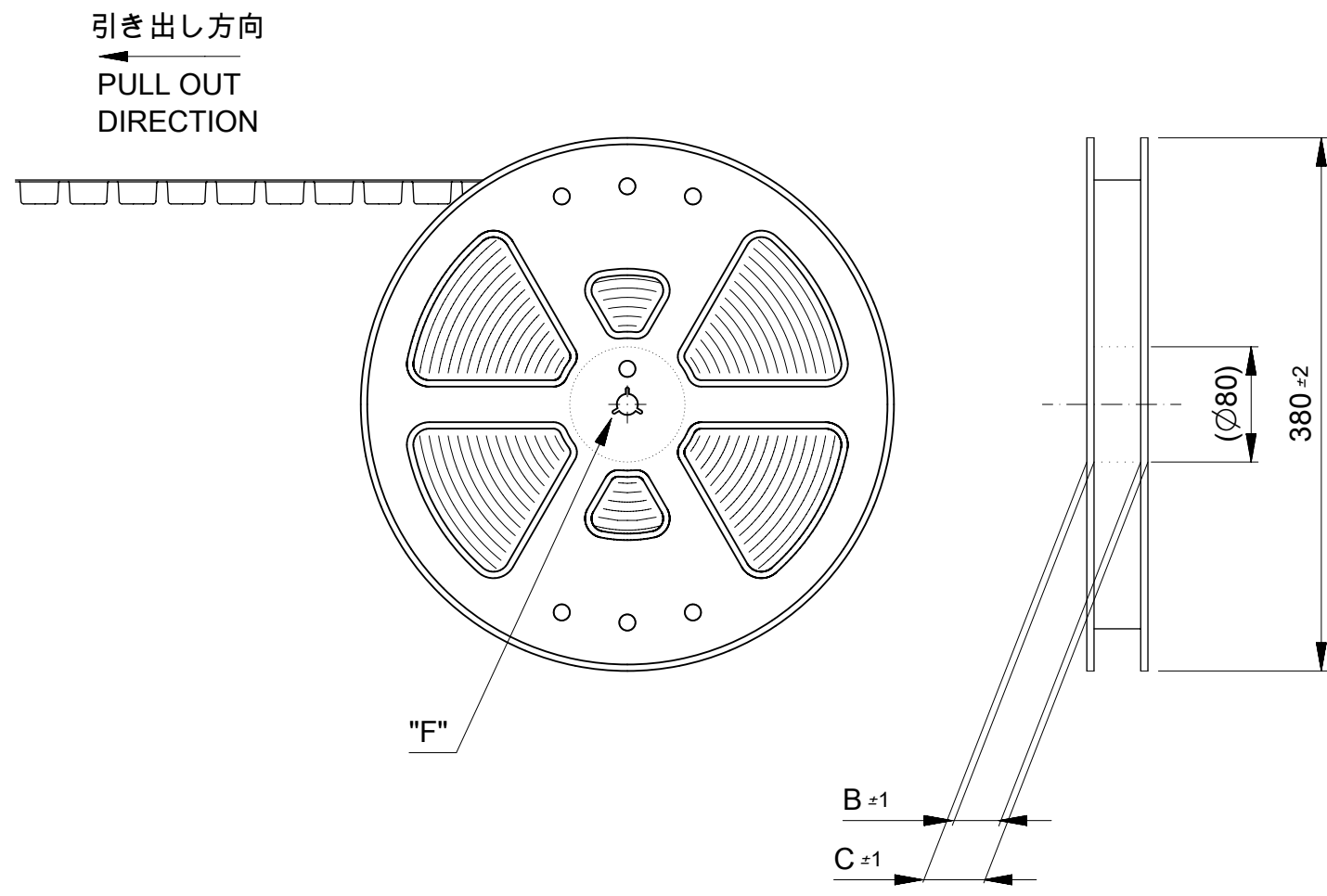


嵌合断面図 (参考)
MATED DRAWING (REF.)

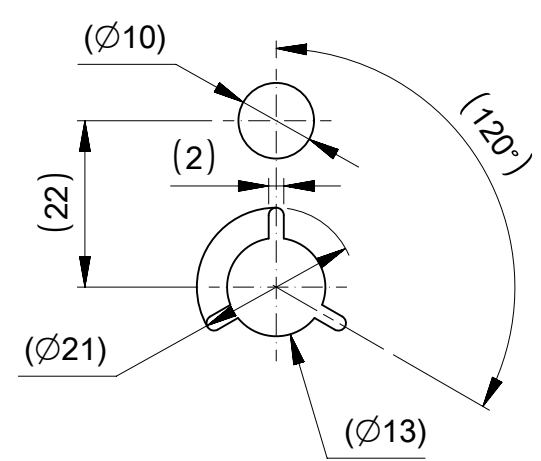
GENERAL TOLERANCES (UNLESS SPECIFIED) 0.25 ^{OVER} 0.5 ^{UNDER} ±0.2 0.25 ^{OVER} 0.5 ^{UNDER} ±0.2 0.5 ^{OVER} 1.0 ^{UNDER} ±0.2 1.0 ^{OVER} 10 ^{UNDER} ±0.2 10 ^{OVER} 30 ^{UNDER} ±0.25 30 ^{OVER} ±0.3 ANGULAR±3° DRAFT WHERE APPLICABLE MUST REMAIN WITHIN DIMENSIONS		DIMENSION UNITS: mm SCALE: 20:1 GENERAL TOLERANCES (UNLESS SPECIFIED) ANGULAR TOL ± * 4 PLACES ± 3 PLACES ± 2 PLACES ± 1 PLACE ± 0 PLACES ± DRAFT WHERE APPLICABLE MUST REMAIN WITHIN DIMENSIONS		THIS DRAWING CONTAINS INFORMATION THAT IS PROPRIETARY TO MOLEX ELECTRONIC TECHNOLOGIES, LLC AND SHOULD NOT BE USED WITHOUT WRITTEN PERMISSION CURRENT REV DESC: REVISED EC NO: 642297 DRWN: SCV CHK'D: HSHIMOYAMA APPR: SHOSHIKAWA INITIAL REVISION: DRWN: T.ITO APPR: T.YAMAGUCHI 2020/07/29 2020/11/30 2020/11/30 2003/08/20 2003/08/20		molex 0.5 MM PITCH B-TO-B CONN. HEIGHT = 1.5 RECEPTACLE PRODUCT CUSTOMER DRAWING		DOCUMENT NUMBER: SD-54722-011 DOC TYPE: PSD DOC PART: 001 REVISION: D		MATERIAL NUMBER: SEE TABLE CUSTOMER: GENERAL SHEET NUMBER: 3 OF 3	
---	--	---	--	--	--	--	--	--	--	---	--

注記 NOTE

- 1. 製品詳細寸法については図面 SD-54722-011 を参照下さい。
DETAIL DIMENSIONS, SEE SD-54722-011
- 2. 梱包数量 : 3000個 / リール
NUMBER OF CONNECTORS : 3000PCS/REEL
- 3. リードテープ長さ LEAD TAPE LENGTH

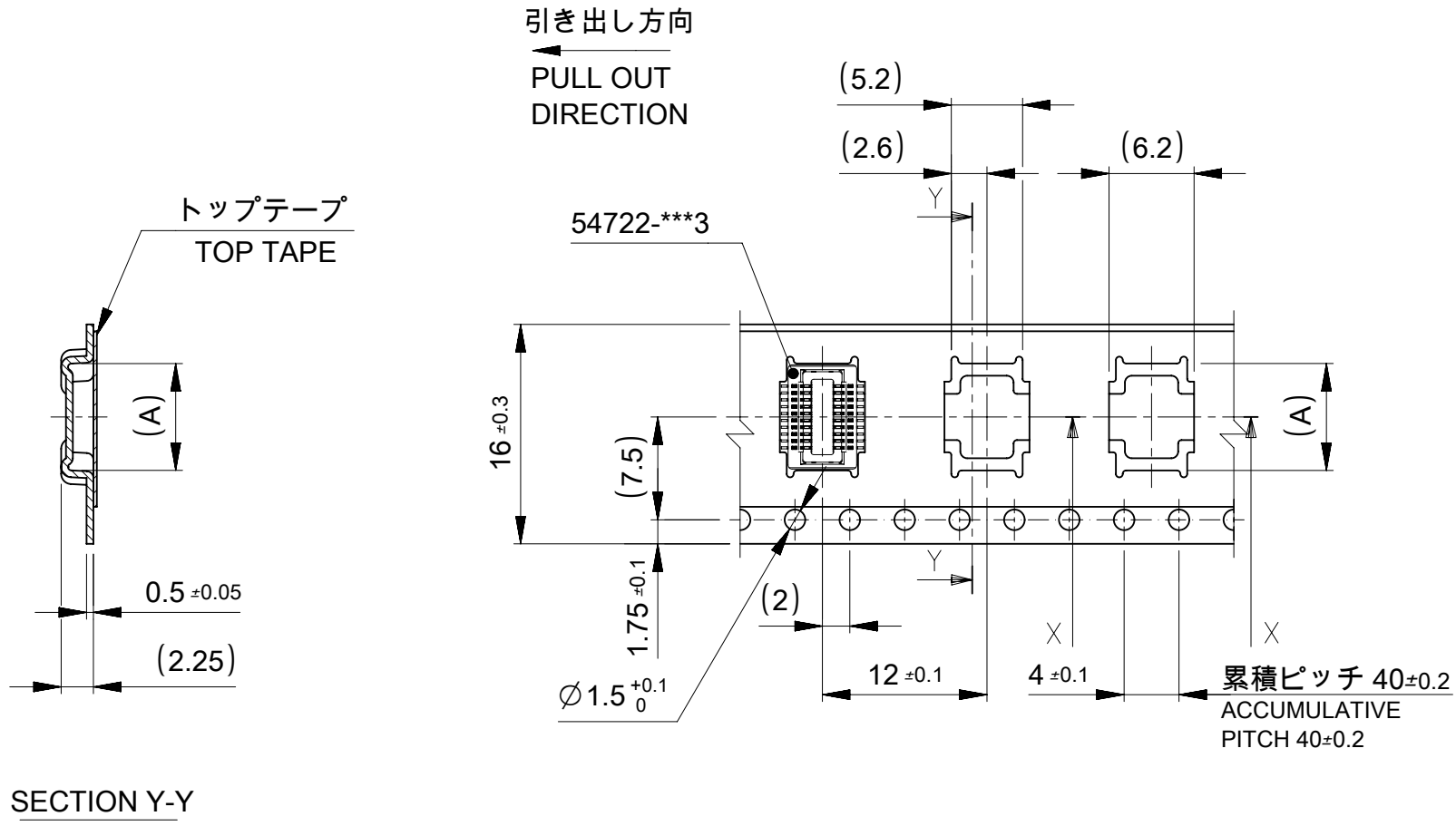


- 4. カバーテープの剥離強度については、IEC60286-3に準拠
COVER TAPE PEEL FORCE IS DEFINED BY IEC60286-3.
- 5. 材料 (MATERIAL)
 キャリアテープ (CARRIER TAPE) : ポリプロピレン (POLYPROPYLENE)
 トップテープ (TOP TAPE) : PET, PE, PEF
 リール (REEL) : ポリスチレン (PS) <リサイクル材を含む>
 POLYSTYRENE(PS) <RECYCLE MATERIAL CONTAINED >



DETAIL "F"

THIS DRAWING CONTAINS INFORMATION THAT IS PROPRIETARY TO MOLEX ELECTRONIC TECHNOLOGIES, LLC AND SHOULD NOT BE USED WITHOUT WRITTEN PERMISSION		CURRENT REV DESC: REVISED		molex	
DIMENSION UNITS	SCALE				
mm	NTS			PRODUCT CUSTOMER DRAWING	
GENERAL TOLERANCES (UNLESS SPECIFIED)		GENERAL TOLERANCES (UNLESS SPECIFIED)		EC NO: 649457	
ANGULAR TOL ± °		ANGULAR TOL ± °		DRWN: SCV 2020/07/29	
4 PLACES ±		4 PLACES ±		CHK'D: HSHIMOYAMA 2020/12/02	
3 PLACES ±		3 PLACES ±		APPR: SHOSHIKAWA 2020/12/02	
2 PLACES ±		2 PLACES ±		INITIAL REVISION:	
1 PLACE ±		1 PLACE ±		DRWN: T.ITO 2003/08/20	
0 PLACES ±		0 PLACES ±		APPR: Y.YAMAGUCHI 2003/08/20	
DRAFT WHERE APPLICABLE MUST REMAIN WITHIN DIMENSIONS		DRAFT WHERE APPLICABLE MUST REMAIN WITHIN DIMENSIONS		THIRD ANGLE PROJECTION	
				DRAWING A3-SIZE	
				SERIES 54722	
				DOCUMENT NUMBER SD-54722-012	
				DOC TYPE PSD	
				DOC PART 001	
				REVISION D	
				MATERIAL NUMBER SEE SHEET 2-5	
				CUSTOMER GENERAL	
				SHEET NUMBER 1 OF 5	



16 mm幅キャリアテープ
16mm WIDTH CARRIER TAPE

16	21.4	17.4	6.8	54722-0204	20
				54722-0164	16
キャリアテープ幅 CARRIER TAPE WIDTH			C	B	(A)
				MATERIAL NO.	極数 CIRCUIT

THIS DRAWING CONTAINS INFORMATION THAT IS PROPRIETARY TO MOLEX ELECTRONIC TECHNOLOGIES, LLC AND SHOULD NOT BE USED WITHOUT WRITTEN PERMISSION

CURRENT REV DESC: REVISED

molex

0.5 MM PITCH B-TO-B CONN.
HEIGHT = 1.5 RECEPTACLE EMBOSS TAPE
PACKAGE

PRODUCT CUSTOMER DRAWING

EC NO: 649457
DRWN: SCV 2020/07/29
CHK'D: HSHIMOYAMA 2020/12/02
APPR: SHOSHIKAWA 2020/12/02

INITIAL REVISION:
DRWN: T.ITO 2003/08/20
APPR: Y.YAMAGUCHI 2003/08/20

DOCUMENT NUMBER: SD-54722-012
DOC TYPE: PSD
DOC PART: 001
REVISION: D

DRAFT WHERE APPLICABLE MUST REMAIN WITHIN DIMENSIONS

THIRD ANGLE PROJECTION

DRAWING: A3-SIZE

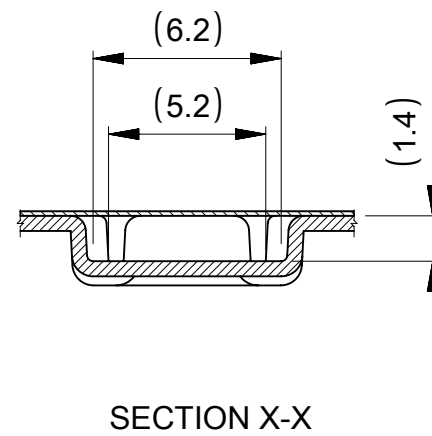
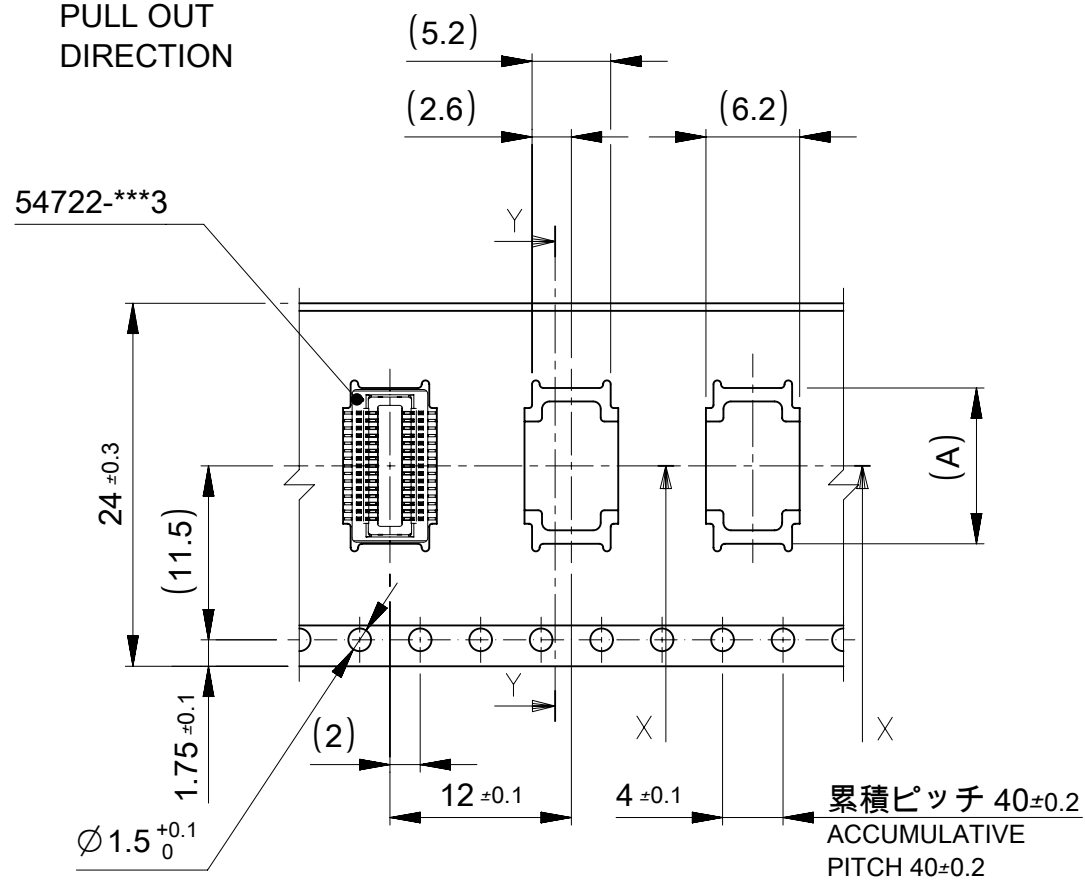
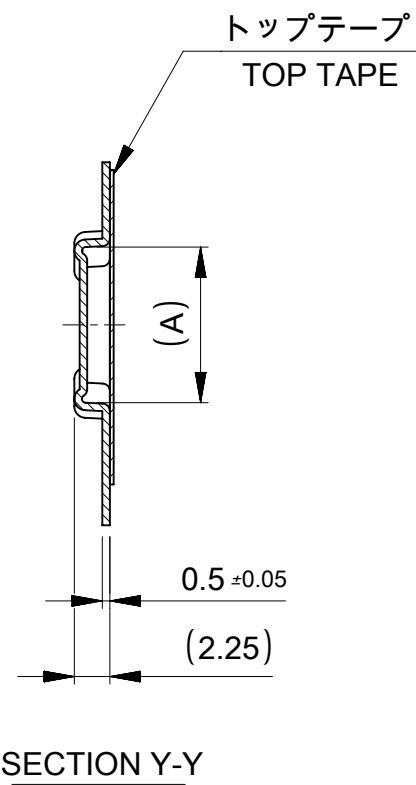
SERIES: 54722

MATERIAL NUMBER: SEE TABLE

CUSTOMER: GENERAL

SHEET NUMBER: 2 OF 5

引き出し方向
 ←
 PULL OUT
 DIRECTION



24 mm幅キャリアテープ
 24mm WIDTH CARRIER TAPE

24	29.4	25.4	15.3	54722-0504	50		
			12.8	54722-0404	40		
			11.8	54722-0364	36		
			11.3	54722-0344	34		
			10.3	54722-0304	30		
			8.8	54722-0244	24		
			8.3	54722-0224	22		
キャリアテープ幅 CARRIER TAPE WIDTH			C	B	(A)	MATERIAL NO.	極数 CIRCUIT

THIS DRAWING CONTAINS INFORMATION THAT IS PROPRIETARY TO MOLEX ELECTRONIC TECHNOLOGIES, LLC AND SHOULD NOT BE USED WITHOUT WRITTEN PERMISSION

DIMENSION UNITS: mm SCALE: NTS

GENERAL TOLERANCES (UNLESS SPECIFIED):

10 ^{UNDER}	±0.2
10 ^{OVER} 30 ^{UNDER}	±0.25
30 ^{OVER}	±0.3
ANGULAR ±3°	

ANGULAR TOL ± °

4 PLACES ±

3 PLACES ±

2 PLACES ±

1 PLACE ±

0 PLACES ±

EC NO: 649457
 DRWN: SCV 2020/07/29
 CHK'D: HSHIMUYAMA 2020/12/02
 APPR: SHOSHIKAWA 2020/12/02

INITIAL REVISION:
 DRWN: T.ITO 2003/08/20
 APPR: Y.YAMAGUCHI 2003/08/20

THIRD ANGLE PROJECTION

DRAWING: A3-SIZE

SERIES: 54722

MATERIAL NUMBER: SEE TABLE

CUSTOMER: GENERAL

SHEET NUMBER: 3 OF 5

DOCUMENT NUMBER: SD-54722-012

DOC TYPE: PSD

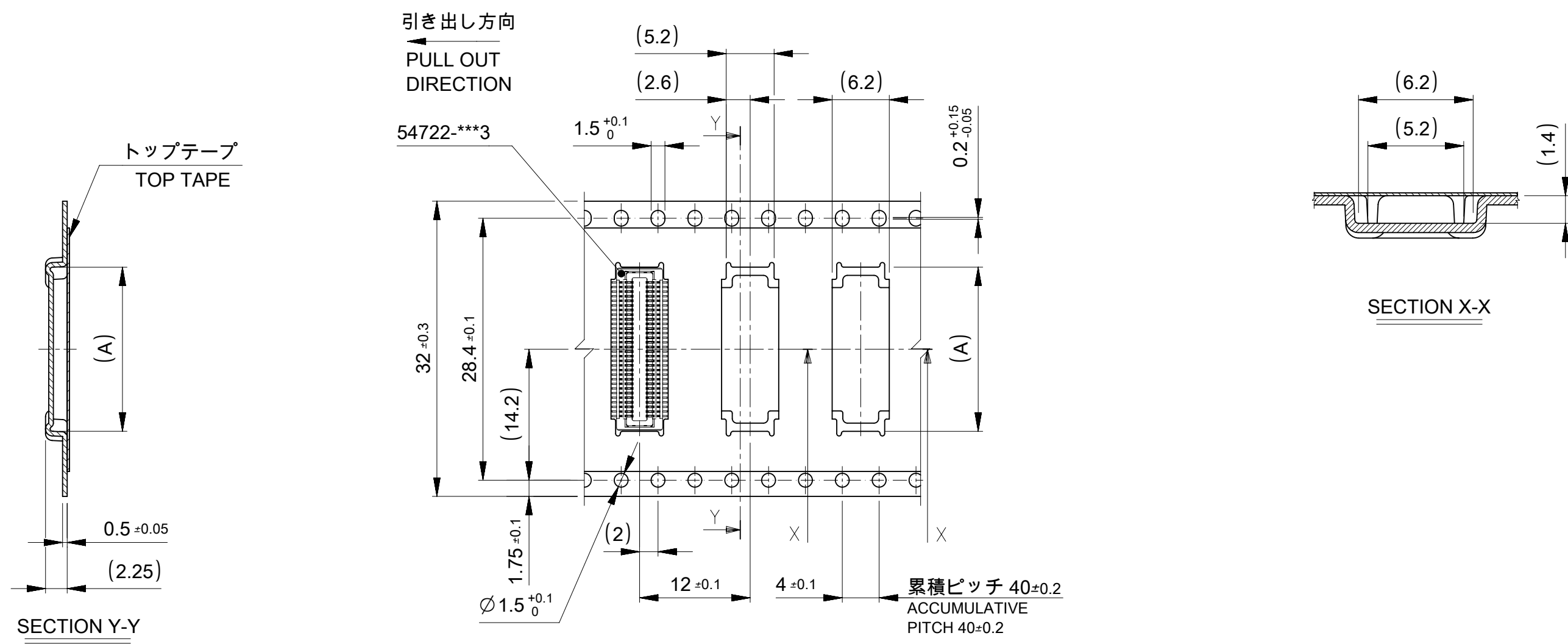
DOC PART: 001

REVISION: D

molex

0.5 MM PITCH B-TO-B CONN.
 HEIGHT = 1.5 RECEPTACLE EMBOSS TAPE PACKAGE

PRODUCT CUSTOMER DRAWING



32 mm幅キャリアテープ
32mm WIDTH CARRIER TAPE

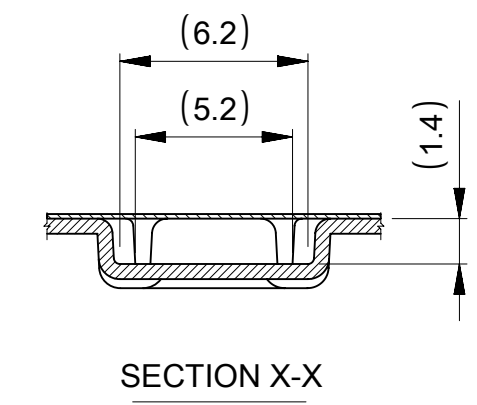
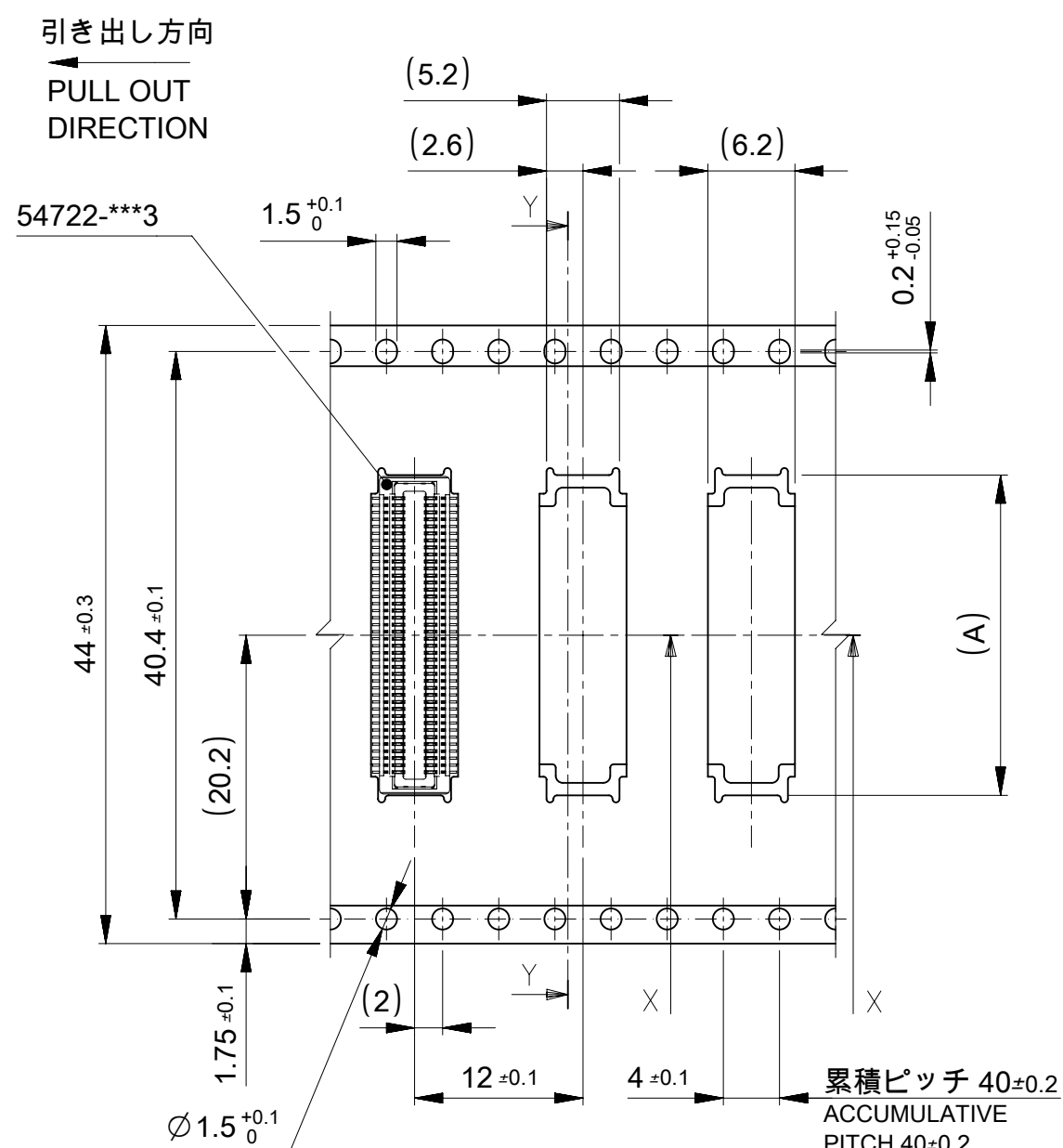
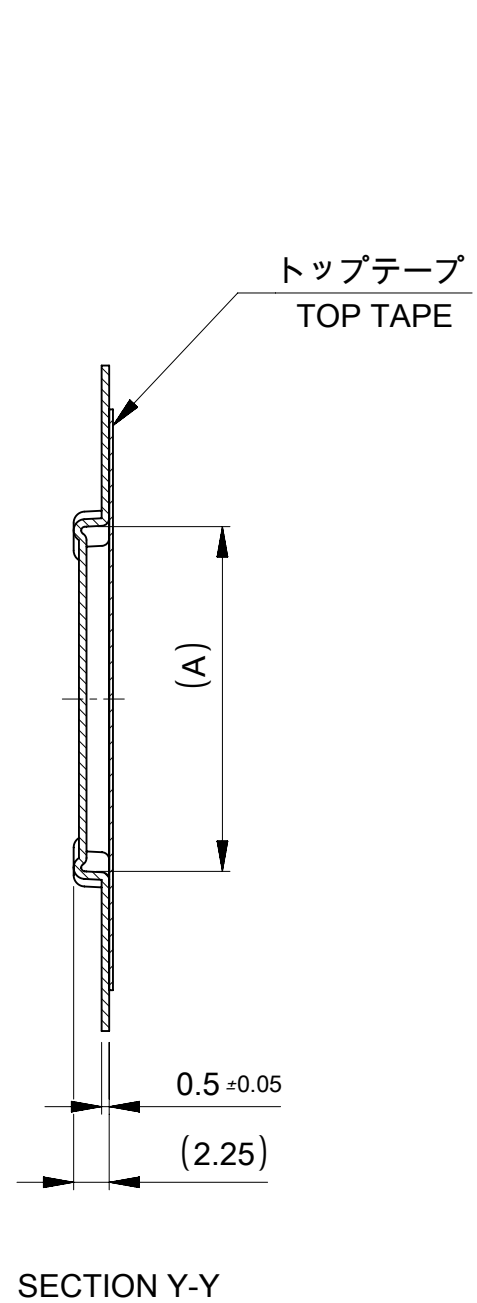
32	37.4	33.4	17.8	54722-0604	60
キャリアテープ幅 CARRIER TAPE WIDTH		C	B	(A) MATERIAL NO.	極数 CIRCUIT

THIS DRAWING CONTAINS INFORMATION THAT IS PROPRIETARY TO MOLEX ELECTRONIC TECHNOLOGIES, LLC AND SHOULD NOT BE USED WITHOUT WRITTEN PERMISSION					
DIMENSION UNITS mm		SCALE NTS		CURRENT REV DESC: REVISED	
GENERAL TOLERANCES (UNLESS SPECIFIED)			GENERAL TOLERANCES (UNLESS SPECIFIED)		
ANGULAR TOL ± °			ANGULAR TOL ± °		
4 PLACES ±			4 PLACES ±		
3 PLACES ±			3 PLACES ±		
2 PLACES ±			2 PLACES ±		
1 PLACE ±			1 PLACE ±		
0 PLACES ±			0 PLACES ±		
DRAFT WHERE APPLICABLE MUST REMAIN WITHIN DIMENSIONS			DRAFT WHERE APPLICABLE MUST REMAIN WITHIN DIMENSIONS		
THIRD ANGLE PROJECTION			THIRD ANGLE PROJECTION		
DRAWING A3-SIZE		SERIES 54722		MATERIAL NUMBER SEE TABLE	
CUSTOMER GENERAL		SHEET NUMBER 4 OF 5		REVISION D	

GENERAL TOLERANCES (UNLESS SPECIFIED)	
10 ^{UNDER}	±0.2
10 ^{OVER} 30 ^{UNDER}	±0.25
30 ^{OVER}	±0.3
ANGULAR ±3°	

EC NO: 649457
DRWN: SCV
CHK'D: HSHIMUYAMA
APPR: SHOSHIKAWA
INITIAL REVISION:
DRWN: T.ITO
APPR: Y.YAMAGUCHI

2020/07/29
2020/12/02
2020/12/02
2003/08/20
2003/08/20



44 mm幅キャリアテープ
44mm WIDTH CARRIER TAPE

44	49.4	45.4	22.8	54722-0804	80
キャリアテープ幅 CARRIER TAPE WIDTH		C	B	(A)	極数 CIRCUIT

THIS DRAWING CONTAINS INFORMATION THAT IS PROPRIETARY TO MOLEX ELECTRONIC TECHNOLOGIES, LLC AND SHOULD NOT BE USED WITHOUT WRITTEN PERMISSION					
DIMENSION UNITS	SCALE	CURRENT REV DESC: REVISED			
mm	NTS	molex 0.5 MM PITCH B-TO-B CONN. HEIGHT = 1.5 RECEPTACLE EMBOSS TAPE PACKAGE PRODUCT CUSTOMER DRAWING			
GENERAL TOLERANCES (UNLESS SPECIFIED)					
ANGULAR TOL	±				
4 PLACES	±				
3 PLACES	±				
2 PLACES	±	EC NO: 649457	2020/07/29		
1 PLACE	±	DRWN: SCV	2020/12/02		
0 PLACES	±	CHK'D: HSHIMOYAMA	2020/12/02		
GENERAL TOLERANCES (UNLESS SPECIFIED)		APP'R: SHOSHIKAWA			
10 ^{UNDER}	±0.2	INITIAL REVISION:			
10 ^{OVER} 30 ^{UNDER}	±0.25	DRWN: T.ITO			
30 ^{OVER}	±0.3	APP'R: Y.YAMAGUCHI			
ANGULAR ±3°		2003/08/20			
DRAFT WHERE APPLICABLE MUST REMAIN WITHIN DIMENSIONS		2003/08/20			
DRAFT WHERE APPLICABLE MUST REMAIN WITHIN DIMENSIONS		THIRD ANGLE PROJECTION	DRAWING	SERIES	MATERIAL NUMBER
		⊕ ⊞	A3-SIZE	54722	SEE TABLE
		CUSTOMER		DOC TYPE	DOC PART
		GENERAL		PSD	001
		SHEET NUMBER		REVISION	
		5 OF 5		D	

DOCUMENT STATUS	P1	RELEASE DATE	2020/12/02	10:53:46
-----------------	----	--------------	------------	----------

FORMAT: master-ib-prod-A3
REVISION: J
DATE: 2020/01/14