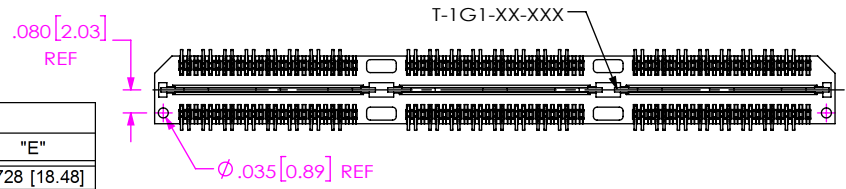
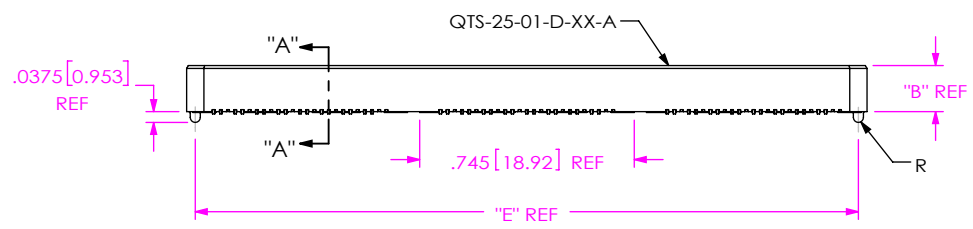
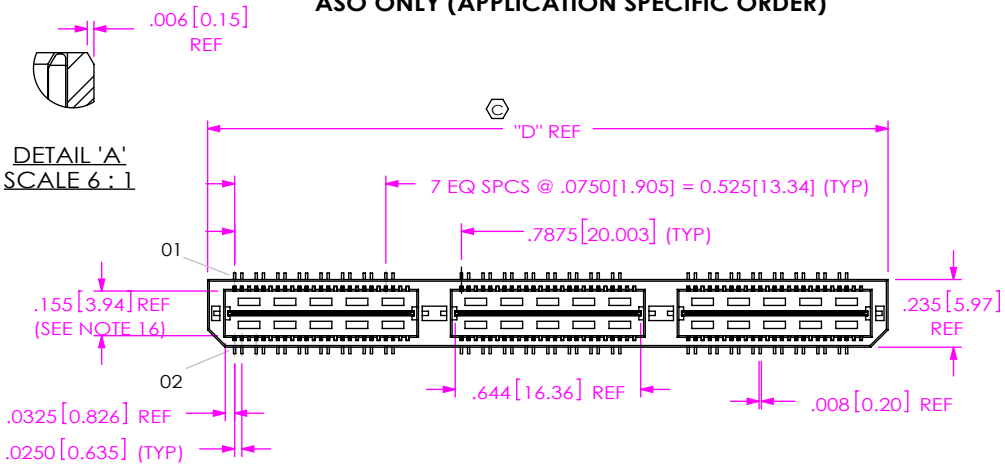


DO NOT SCALE FROM THIS PRINT

ASO ONLY (APPLICATION SPECIFIC ORDER)

QTS-XXX-XX-XXX-D-DP-XX



- No. OF POSITIONS**
- 016, -032, -048, **064, **080 (PER ROW)
 - **SEE NOTE 17
- LEAD STYLE**
- 01: .1680[4.267]
 - 02: .2861[7.264]
 - ☒ -03: .4042[1.123]
 - ☒ -04: .6000[15.240]
 - * -05: .7180[18.237]
 - * -06: .8360[21.234]
- PLATING SPECIFICATION**
- F: 3µ" FLASH SELECTIVE GOLD, MATTE TIN TAILS (USE T-1SXX-XX-F & T-1G1-XX-F) (SEE NOTE 11)
 - L: 10µ" LIGHT SELECTIVE GOLD, MATTE TIN TAILS (USE T-1SXX-XX-L & T-1G1-XX-L)
 - H: 30µ" HEAVY GOLD, 3µ" GOLD TAILS (USE T-1SXX-XX-H & T-1G1-XX-G)
 - STL: 30µ" HEAVY SELECTIVE GOLD, TIN LEAD TAILS (USE T-1SXX-XX-STL & T-1G1-XX-STL)
 - FTL: 3µ" FLASH SELECTIVE GOLD, TIN LEAD TAILS (USE T-1SXX-XX-FTL & T-1G1-XX-FTL)
- OPTION**
- A: ALIGNMENT PINS (SEE FIG 1) (USE QTS-25-01-D-XX-A)
 - LC: LOCKING CLIPS (SEE FIG 2, NOTE 15) (USE LC-08-TM-01)
 - K: POLYIMIDE FILM PAD OPTION (SEE FIG 3, SHT 2) (USE K-500-300)
 - TR: TAPE & REEL OPTION (48 POS MAX)
 - GP: GUIDE POST, (SEE FIG 6, SHT4) (AVAILABLE ON STYLE -01 ONLY)
 - DP: DIFFERENTIAL PAIRS
- ROW SPECIFICATION**
- D: DOUBLE (USE QTS-25-XX-D-XX & QTSH-25-XX-D-XX)
- No OF BANKS
- ☒ = SEE SHEET 3
* = NOT ENGINEERING APPROVED

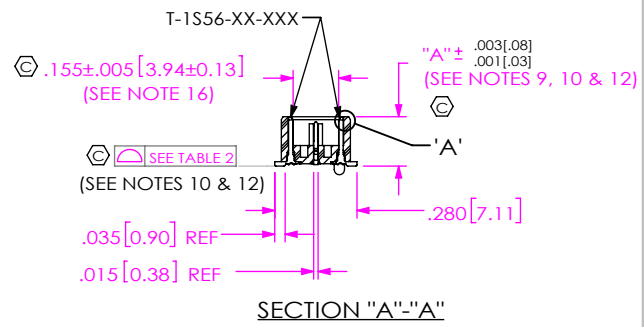


TABLE 6

No. OF POS	"D"	"E"
-016	.788 [20.00]	.728 [18.48]
-032	1.575 [40.01]	1.515 [38.48]
-048	2.363 [60.01]	2.303 [58.48]
-064	3.150 [80.01]	3.090 [78.49]
-080	3.938 [100.01]	3.878 [98.49]

- NOTES:
- ☒ REPRESENTS A CRITICAL DIMENSION.
 - NOTE DELETED.
 - NOTE DELETED.
 - MINIMUM TERMINAL RETENTION: 5 OZ.
 - MINIMUM GROUND PLANE RETENTION: 1 LB.
 - NOTE WAS DELETED.
 - PARTS TO BE MOLDED TO POSITION.
 - NOTE DELETED.
 - MAXIMUM VARIANCE OF .002[.05].
 - DIMENSION APPLIES TO TERMINALS AND GROUND PLANES INDEPENDENT OF THE GROUND PLANE OR TERMINAL RESPECTIVELY.
 - L PLATING CAN BE SUBSTITUTED FOR -F PLATING.
 - GROUND PLANE PRESS HEIGHT MUST BE .003[.08] LESS THAN THE MAX HEIGHT OR .001[.03] GREATER THAN THE MINIMUM HEIGHT OF THE TERMINALS.
 - LEAD STYLES -03 THRU -06: TOP BODY (QTS) CANNOT HAVE -A OPTION.
 - NOTE DELETED.
 - DUE TO THE HIGH AMOUNT OF INSERTION FORCE NEEDED, THE -LC OPTION IS NOT COMPATIBLE WITH AUTO PLACEMENT. SAMTEC RECOMMENDS MANUAL PLACEMENT FOR ALL ASSEMBLIES WITH THE -LC OPTION."
 - MINIMUM ROW TO ROW IS .152. PIN CAN EXTEND PAST WALL .003 MAX.
 - AVAILABLE FOR EXISTING CUSTOMERS ONLY.

FIG 1
-A: ALIGNMENT PIN OPTION (QTS-048-01-XXX-D-DP-A SHOWN)

TABLE 1

STYLE	"A"	"B"	BODY	GROUND PLANE	TERMINAL	MATED HEIGHT WITH QSS-01-DP
-01	.1680	.1600	QTS-25-01-D-XX	T-1G1-01-XXX	T-1S56-01-XXX	.197[5.00] REF
-02	.2861	.2781	QTS-25-02-D-XX	T-1G1-02-XXX	T-1S56-22-XXX	.315[8.00] REF

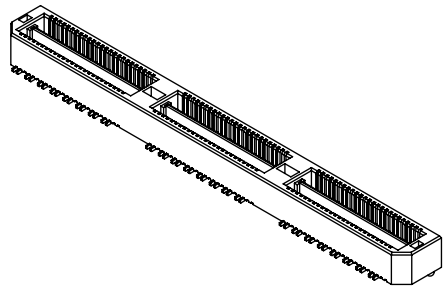


TABLE 2

No OF POSITIONS	COPLANARITY (INCLUDES GP)
-016 THRU -048	.004[.10]
-064 & -080	.006[.15]

UNLESS OTHERWISE SPECIFIED, DIMENSIONS ARE IN INCHES.

TOLERANCES ARE:
DECIMALS: .XX: ±.01[.3]
.XXX: ±.005[.13]
.XXXX: ±.0020[.051]

ANGLES: ± 2°

PROPRIETARY NOTE
THIS DOCUMENT CONTAINS CONFIDENTIAL AND PROPRIETARY INFORMATION AND ALL DESIGN, MANUFACTURING, REPRODUCTION, USE, PATENT RIGHTS AND SALES RIGHTS ARE EXPRESSLY RESERVED BY SAMTEC, INC. THIS DOCUMENT SHALL NOT BE DISCLOSED, IN WHOLE OR PART, TO ANY UNAUTHORIZED PERSON OR ENTITY NOR REPRODUCED, TRANSFERRED OR INCORPORATED IN ANY OTHER PROJECT IN ANY MANNER WITHOUT THE EXPRESS WRITTEN CONSENT OF SAMTEC, INC.

samtec
520 PARK EAST BLVD, NEW ALBANY, IN 47150
PHONE: 812-944-6733 FAX: 812-948-5047
e-Mail: info@SAMTEC.com code: 55322

MATERIAL: DO NOT SCALE DRAWING SHEET SCALE: 1.5:1

DESCRIPTION: .635mm DIFFERENTIAL PAIRS HS TERMINAL ASSEMBLY

DWG. NO. **QTS-XXX-XX-XXX-D-DP-XX**

BY: KEVIN B 09/14/2010 SHEET 1 OF 4

F:\DWG\MISC\MKTG\QTS-XXX-XX-XXX-D-DP-XX-MKT.SLDDRW

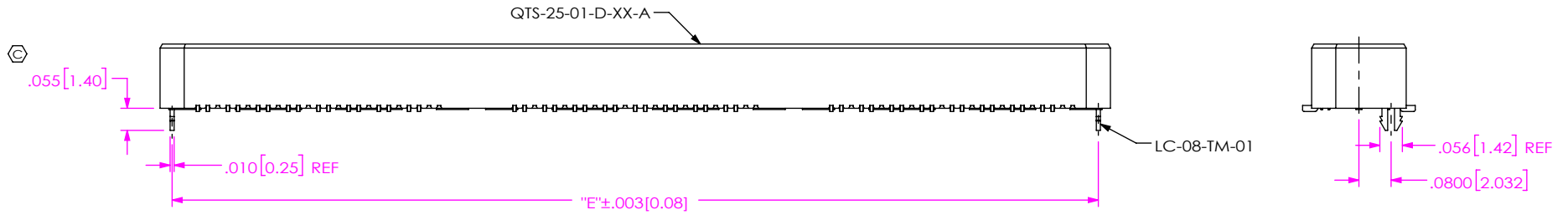


FIG 2
 -LC: LOCKING CLIP OPTION
 (QTS-048-01-XXX-D-DP-LC SHOWN)
 (DIFFERENT AS SHOWN, OTHERWISE SAME AS FIG 1)

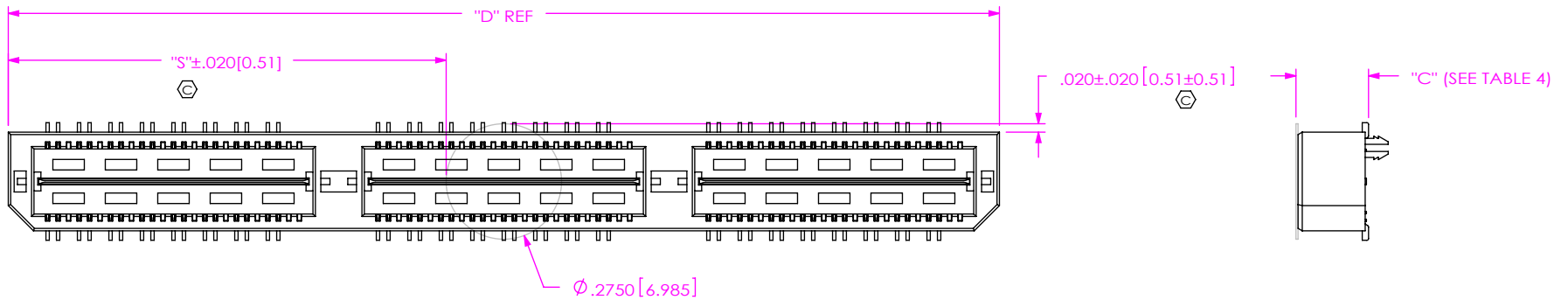


FIG 3
 -K: POLYIMIDE FILM PAD
 (USE K-DOT-500-300)

No OF POS	"S"
-016	.256 [6.50]
-032	.650 [16.51]
-048	1.043 [26.49]
-064	1.437 [36.50]
-080	1.831 [46.51]

STYLE	"C"
-01	.173 [4.39]
-02	.291 [7.39]
-03	.409 [10.39]
-04	.605 [15.37]
-05	.723 [18.36]
-06	.841 [21.36]

PROPRIETARY NOTE
 THIS DOCUMENT CONTAINS CONFIDENTIAL AND PROPRIETARY INFORMATION AND ALL DESIGN, MANUFACTURING, REPRODUCTION, USE, PATENT RIGHTS AND SALES RIGHTS ARE EXPRESSLY RESERVED BY SAMTEC, INC. THIS DOCUMENT SHALL NOT BE DISCLOSED, IN WHOLE OR PART, TO ANY UNAUTHORIZED PERSON OR ENTITY NOR REPRODUCED, TRANSFERRED OR INCORPORATED IN ANY OTHER PROJECT IN ANY MANNER WITHOUT THE EXPRESS WRITTEN CONSENT OF SAMTEC, INC.

DO NOT SCALE DRAWING

SHEET SCALE: 2.5:1



520 PARK EAST BLVD, NEW ALBANY, IN 47150
 PHONE: 812-944-6733 FAX: 812-948-5047
 e-Mail: info@SAMTEC.com code: 55322

DESCRIPTION:
 .635mm DIFFERENTIAL PAIRS HS TERMINAL ASSEMBLY

DWG. NO.
 QTS-XXX-XX-XXX-D-DP-XX

BY: KEVIN B 09/14/2010 SHEET 2 OF 4

TABLE 5					MATED HEIGHT WITH QSS-01-DP
STYLE	"A"	GROUND PLANE	TERMINAL	SPACER BODY	
-03	.4042 [10.267]	T-1G1-03-XXX	T-1S51-03-XXX	QTSH-25-01-D-XX-X	.433 [11.00] REF
-04	.6000 [15.240]	T-1G1-04-XXX	T-1S51-04-XXX	QTSH-25-01-D-XX-X	.630 [16.00] REF
-05	.7180 [18.237]	T-1G1-05-XXX	T-1S51-05-XXX	QTSH-25-02-D-XX-X	.748 [19.00] REF
-06	.8360 [21.234]	T-1G1-06-XXX	T-1S51-06-XXX	QTSH-25-02-D-XX-X	.866 [22.00] REF

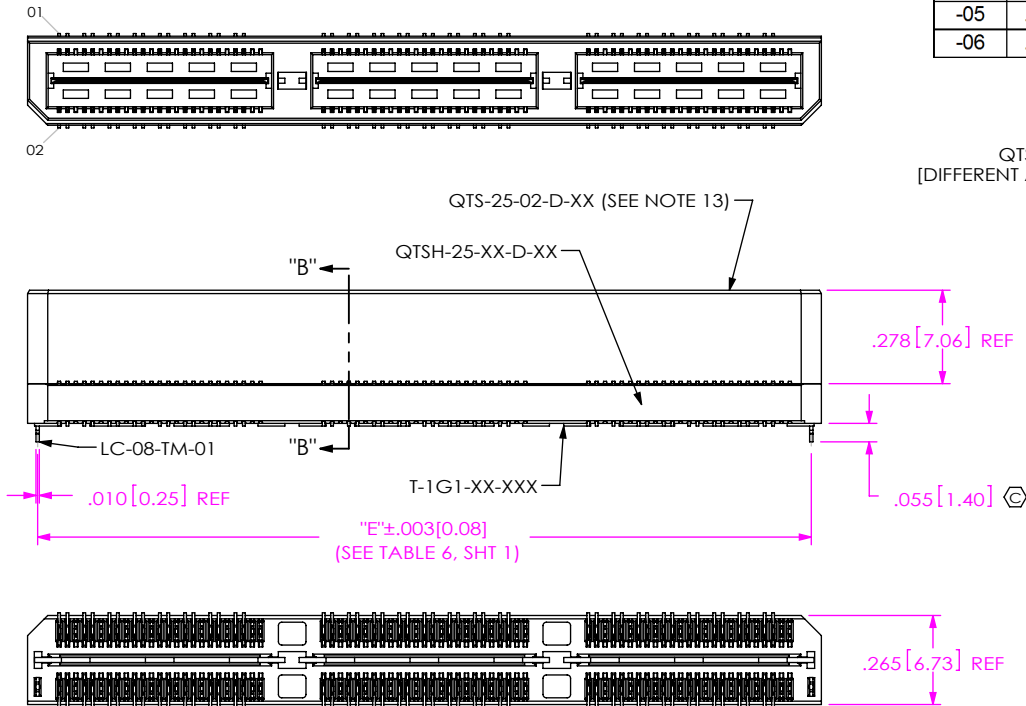


FIG 4
QTS-048-03-XXX-D-DP-LC SHOWN
(DIFFERENT AS SHOWN, OTHERWISE SAME AS FIG 1)

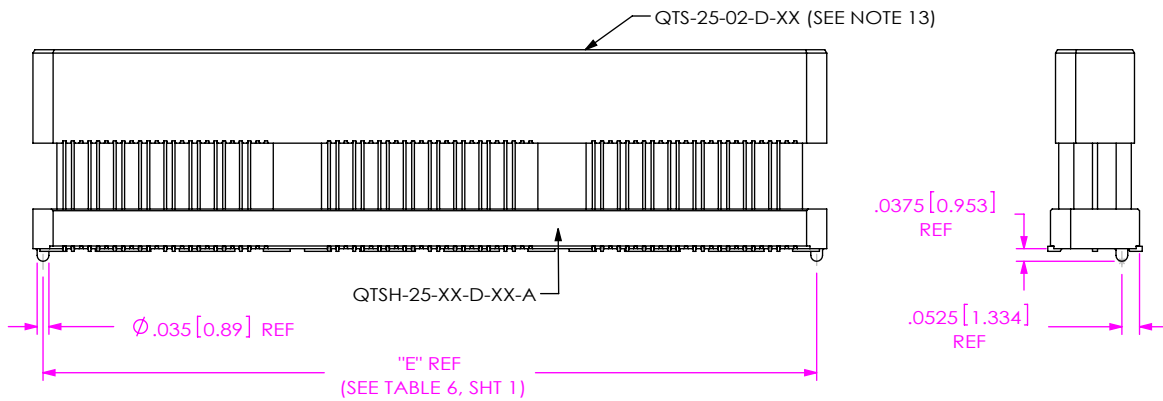
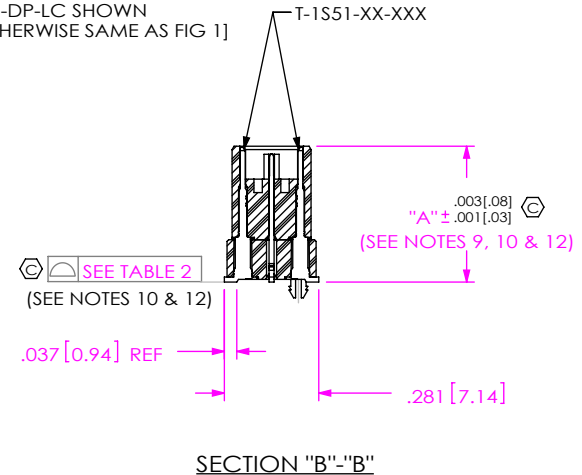


FIG 5
(QTS-048-04-XXX-D-DP-A SHOWN)
(DIFFERENT AS SHOWN, OTHERWISE SAME AS FIG 1)
(STYLE -03, -04, -05 & -06)

F:\DWG\MISC\MKTG\QTS-XXX-XX-XXX-D-DP-XX-MKT.SLDDRW

PROPRIETARY NOTE
THIS DOCUMENT CONTAINS CONFIDENTIAL AND PROPRIETARY INFORMATION AND ALL DESIGN, MANUFACTURING, REPRODUCTION, USE, PATENT RIGHTS AND SALES RIGHTS ARE EXPRESSLY RESERVED BY SAMTEC, INC. THIS DOCUMENT SHALL NOT BE DISCLOSED, IN WHOLE OR IN PART, TO ANY UNAUTHORIZED PERSON OR ENTITY NOR REPRODUCED, TRANSFERRED OR INCORPORATED IN ANY OTHER PROJECT IN ANY MANNER WITHOUT THE EXPRESS WRITTEN CONSENT OF SAMTEC, INC.



520 PARK EAST BLVD, NEW ALBANY, IN 47150
PHONE: 812-944-6733 FAX: 812-948-5047
e-Mail: info@SAMTEC.com code: 55322

DO NOT SCALE DRAWING

SHEET SCALE: 1.75:1

DESCRIPTION:
.635mm DIFFERENTIAL PAIRS HS TERMINAL ASSEMBLY

DWG. NO.
QTS-XXX-XX-XXX-D-DP-XX

BY: KEVIN B 09/14/2010 SHEET 3 OF 4

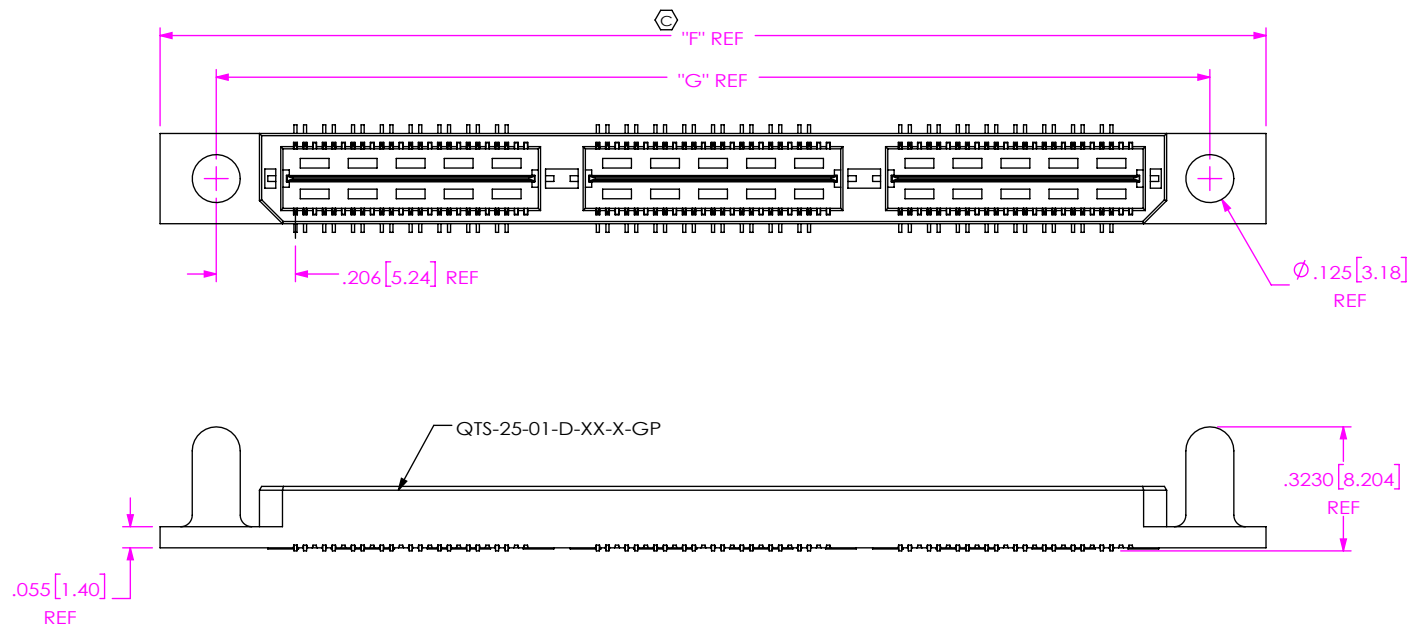


FIG 6
 -GP: GUIDE POST SHOWN
 (QTS-048-01-XXX-D-DP-GP SHOWN)
 (DIFFERENT AS SHOWN, OTHERWISE SAME AS FIG 1)
 (AVAILABLE ON STYLE -01 ONLY)

POS	"F"	"G"
-016	1.305 [33.15]	1.013 [25.72]
-032	2.093 [53.15]	1.800 [45.72]
-048	2.880 [73.15]	2.588 [65.72]
-064	3.668 [93.15]	3.375 [85.73]
-080	4.455 [113.16]	4.163 [105.73]

F:\DWG\MISC\MKTG\QTS-XXX-XX-XXX-D-DP-XX-MKT.SLDDRW

PROPRIETARY NOTE
 THIS DOCUMENT CONTAINS CONFIDENTIAL AND PROPRIETARY INFORMATION AND ALL DESIGN, MANUFACTURING, REPRODUCTION, USE, PATENT RIGHTS AND SALES RIGHTS ARE EXPRESSLY RESERVED BY SAMTEC, INC. THIS DOCUMENT SHALL NOT BE DISCLOSED, IN WHOLE OR PART, TO ANY UNAUTHORIZED PERSON OR ENTITY NOR REPRODUCED, TRANSFERRED OR INCORPORATED IN ANY OTHER PROJECT IN ANY MANNER WITHOUT THE EXPRESS WRITTEN CONSENT OF SAMTEC, INC.

DO NOT SCALE DRAWING
 SHEET SCALE: 2:1



520 PARK EAST BLVD, NEW ALBANY, IN 47150
 PHONE: 812-944-6733 FAX: 812-948-5047
 e-Mail: info@SAMTEC.com code: 55322

DESCRIPTION:
 .635mm DIFFERENTIAL PAIRS HS TERMINAL ASSEMBLY

DWG. NO.

QTS-XXX-XX-XXX-D-DP-XX

BY: KEVIN B 09/14/2010 SHEET 4 OF 4