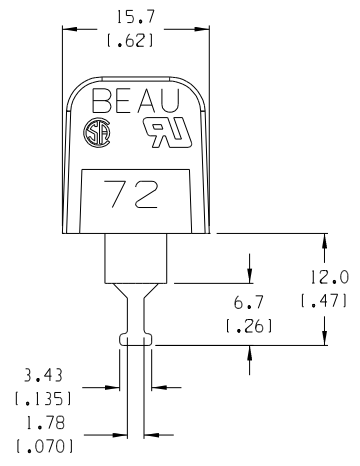
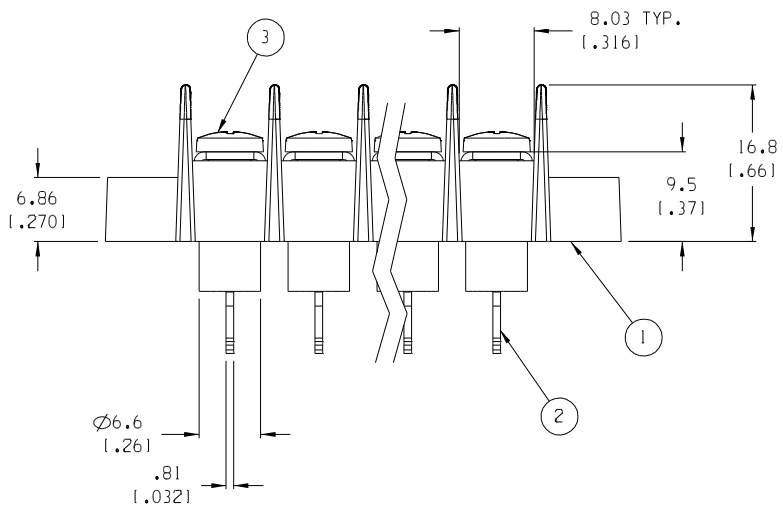


4 CIRCUIT SHOWN



- NOTES:
1. MATERIAL: SEE TABLE
  2. FINISHES: SEE TABLE
  3. PRODUCT SPECIFICATION: NOT REQUIRED
  4. PACKAGING: NOT REQUIRED
  5. MATES WITH: NONE
  6. "XX" REFERS TO THE QUANTITY OF CIRCUITS.

3	XX	SCREW, #6-32X.250, BHD, PHIL-SLOT	STEEL	ZN, CLEAR CHROMATE
2	XX	TERMINAL, TURRET	BRASS	TIN PLATE
1	1	INSULATOR, SR, MOLDED MTG.	THERMOPLASTIC	BLACK
ITEM	QTY.	DESCRIPTION	MATERIAL	FINISH

EC NO. RELEASED DRWING: CLY CH'K: APPR: REV: A	DESCRIPTION MAJOR CRITICAL SPC S:	GENERAL TOLERANCES: (UNLESS SPECIFIED) mm      INCH 4 PLACES      ±.0015 3 PLACES      ±.038      ±.005 2 PLACES      ±.13      ±.01 1 PLACE      ±.3		SCALE: 2:1 DESIGN UNITS: <input type="checkbox"/> mm <input checked="" type="checkbox"/> INCH THIRD ANGLE PROJECTION	PROJECT NO.: DIMENSIONS: SHT REV REVISION ON CAD ONLY
		DRAWN BY & DATE: C. YORK 02-24-05		TITLE: 9.53 (.375) SR BTS ASSY, INSUL. TURRET, MOLDED MTG.	
		CHECKED BY & DATE: APPROVED BY & DATE:		MOLEX INCORPORATED	
		CAD FILENAME: 722XX-E		MATERIAL NO.: SEE SHT. 2	DRAWING NO.: SD-38720-005
DRAFT WHERE APPLICABLE MUST REMAIN WITHIN DIMENSIONS				THIS DRAWING CONTAINS INFORMATION THAT IS PROPRIETARY TO MOLEX INCORPORATED AND SHOULD NOT BE USED WITHOUT WRITTEN PERMISSION.	

F  
E  
D  
C  
B  
A

F  
E  
D  
C  
B  
A

NO. OF CIRC. "XX"	DIM. "A"		DIM. "B"		DIM. "C"		DIM. "D"		ASSEMBLY MATERIAL NO.
02	36.2	[1.43]	9.53	[.375]	28.58	[1.125]	21.1	[.83]	387203102
03	45.7	[1.80]	19.05	[.750]	38.10	[1.500]	30.7	[1.21]	387203103
04	55.2	[2.18]	28.58	[1.125]	47.63	[1.875]	40.2	[1.58]	387203104
05	64.8	[2.55]	38.10	[1.500]	57.15	[2.250]	49.7	[1.96]	387203105
06	74.3	[2.93]	47.63	[1.875]	66.68	[2.625]	59.2	[2.33]	387203106
07	83.8	[3.30]	57.15	[2.250]	76.20	[3.000]	68.8	[2.71]	387203107
08	93.3	[3.68]	66.68	[2.625]	85.73	[3.375]	78.3	[3.08]	387203108
09	102.9	[4.05]	76.20	[3.000]	95.25	[3.750]	87.8	[3.46]	387203109
10	112.4	[4.43]	85.73	[3.375]	104.78	[4.125]	97.3	[3.83]	387203110
11	121.9	[4.80]	95.25	[3.750]	114.30	[4.500]	106.9	[4.21]	387203111
12	131.4	[5.18]	104.78	[4.125]	123.83	[4.875]	116.4	[4.58]	387203112
13	141.0	[5.55]	114.30	[4.500]	133.35	[5.250]	125.9	[4.96]	387203113
14	150.5	[5.93]	123.83	[4.875]	142.88	[5.625]	135.4	[5.33]	387203114
15	160.0	[6.30]	133.35	[5.250]	152.40	[6.000]	145.0	[5.71]	387203115
16	169.5	[6.68]	142.88	[5.625]	161.93	[6.375]	154.5	[6.08]	387203116
17	179.1	[7.05]	152.40	[6.000]	171.45	[6.750]	164.0	[6.46]	387203117
18	188.6	[7.43]	161.93	[6.375]	180.98	[7.125]	173.5	[7.21]	387203118
19	198.1	[7.80]	171.45	[6.750]	190.50	[7.500]	192.6	[7.58]	387203119
20	207.6	[8.18]	180.98	[7.125]	200.03	[7.875]	202.1	[7.96]	387203120
21	217.2	[8.55]	190.50	[7.500]	209.55	[8.250]	211.6	[8.33]	387203121
22	226.7	[8.93]	200.03	[7.875]	219.08	[8.625]	221.2	[8.71]	387203122
23	236.2	[9.30]	209.55	[8.250]	228.60	[9.000]	230.6	[9.08]	387203123
24	245.7	[9.68]	219.08	[8.625]	238.13	[9.375]	230.7	[9.08]	387203124
25	255.3	[10.05]	228.60	[9.000]	247.65	[9.750]	240.2	[9.46]	387203125
26	264.8	[10.43]	238.13	[9.375]	257.18	[10.125]	249.7	[9.83]	387203126

EC NO. SEE SHEET 1 DRWN: CH'K: APPR: - - -	DESCRIPTION MAJOR CRITICAL SPC	QUALITY SYMBOLS	GENERAL TOLERANCES: (UNLESS SPECIFIED)	SCALE: -- DESIGN UNITS: <input type="checkbox"/> mm <input checked="" type="checkbox"/> INCH	THIRD ANGLE PROJECTION	PROJECT NO.: - - DIMENSIONS: <input checked="" type="checkbox"/> mm <input type="checkbox"/> INCH <input type="checkbox"/> mm ONLY	SHT: - REV: - REVISE ON CAD ONLY
		DRAWN BY & DATE C. YORK 02-24-05	CHECKED BY & DATE	TITLED: 9.53 [.375] SR BTS ASSY, INSUL. TURRET, MOLDED MTG.	MOLEX INCORPORATED	SHEET NO. 2 OF 2	
		APPROVED BY & DATE	CAD FILENAME 722XX-E	MATERIAL NO. SEE CHART	DRAWING NO. SD-38720-005	SIZE B	
		DRAFT WHERE APPLICABLE MUST REMAIN WITHIN DIMENSIONS	THIS DRAWING CONTAINS INFORMATION THAT IS PROPRIETARY TO MOLEX INCORPORATED AND SHOULD NOT BE USED WITHOUT WRITTEN PERMISSION.				