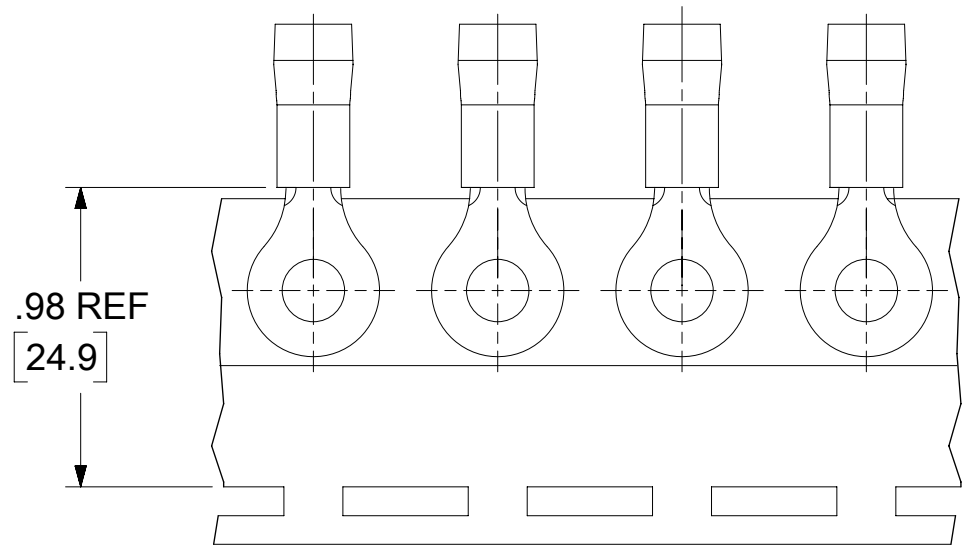
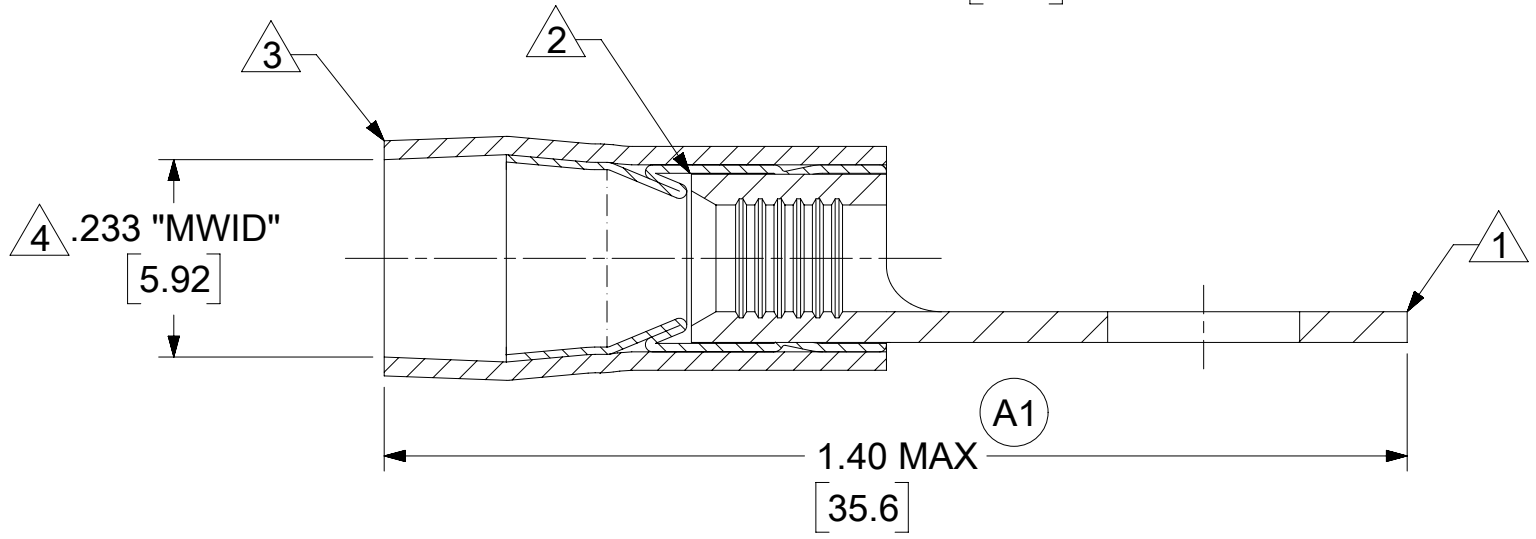
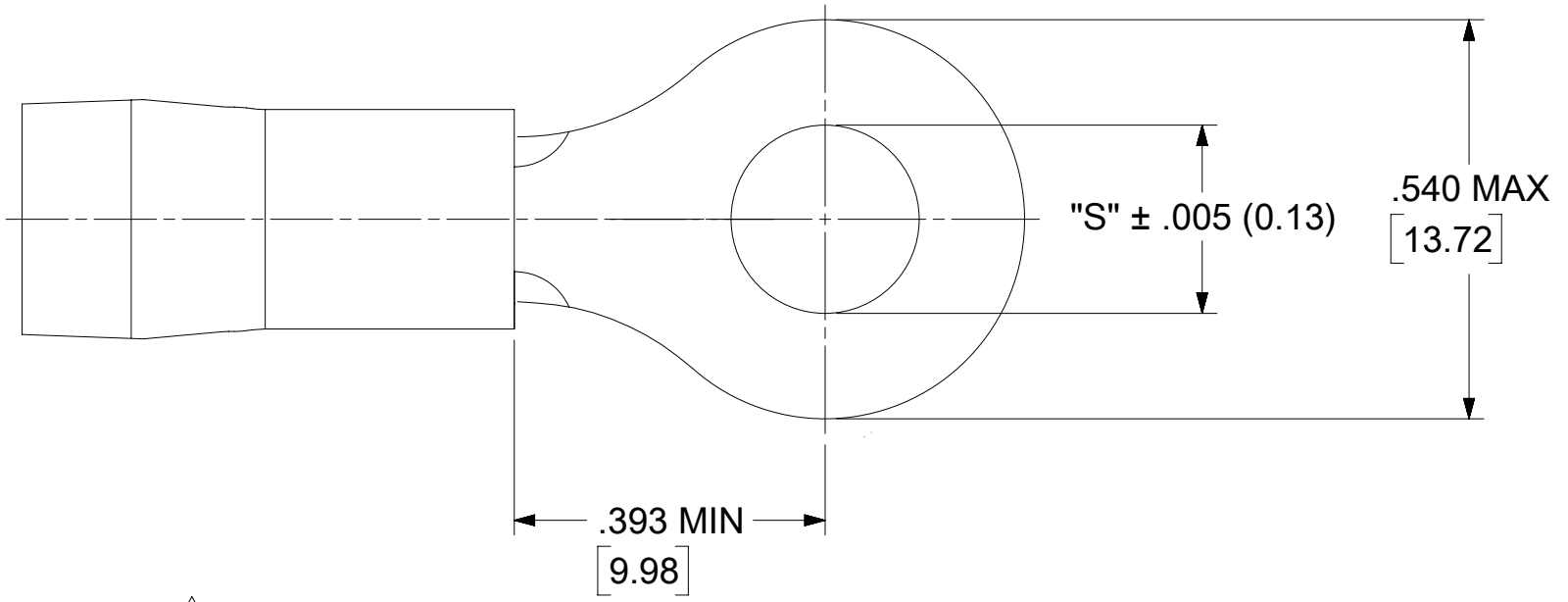


MATERIAL NO.	ENG NO.	MATERIAL NO. (TAPE)	ENG NO. (TAPE)	STUD SIZE	"S" ± .005 (0.13)
190730182	C-830-10XLBK	----	----	10	.198 (5.03)
190730192	C-830-14XLBK	190730193	C-830-14XLBKT	1/4	.265 (6.73)
190730203	C-830-56XLBK	----	----	5/16	.328 (8.33)

A1



TAPE MOUNTING LOCATION

NOTE(S):

- 1 TERMINAL MATERIAL: COPPER
FINISH: ELECTRO-TIN
- 2 FERRULE MATERIAL: BRASS
FINISH: ELECTRO-TIN
- 3 INSULATION MATERIAL: BLACK NYLON
- 4 "MWID" = MAXIMUM WIRE INSULATION DIAMETER
- 5. PARTS ARE RoHS COMPLIANT

THIS DRAWING CONTAINS INFORMATION THAT IS PROPRIETARY TO MOLEX ELECTRONIC TECHNOLOGIES, LLC AND SHOULD NOT BE USED WITHOUT WRITTEN PERMISSION																																														
FUNCTIONAL SYMBOLS	DIMENSION UNITS	SCALE	CURRENT REV DESC: RMV OBSO PN'S: C-830-10XXBK, -14XXBK, -56XXBK, -10XX, -14XX, -56XX, -10XXBKT, -14XXBKT, & -56XXBKT																																											
$\nabla_A = 0$	INCH/MM	NTS	<table border="1"> <tr> <th colspan="3">GENERAL TOLERANCES (UNLESS SPECIFIED)</th> </tr> <tr> <th></th> <th>MM</th> <th>INCH</th> </tr> <tr> <td>4 PLACES</td> <td>±</td> <td>±</td> </tr> <tr> <td>3 PLACES</td> <td>±</td> <td>±</td> </tr> <tr> <td>2 PLACES</td> <td>±</td> <td>±</td> </tr> <tr> <td>1 PLACE</td> <td>±</td> <td>±</td> </tr> <tr> <td>0 PLACES</td> <td>±</td> <td>±</td> </tr> <tr> <td colspan="3">ANGULAR TOL ± °</td> </tr> </table>							GENERAL TOLERANCES (UNLESS SPECIFIED)				MM	INCH	4 PLACES	±	±	3 PLACES	±	±	2 PLACES	±	±	1 PLACE	±	±	0 PLACES	±	±	ANGULAR TOL ± °															
GENERAL TOLERANCES (UNLESS SPECIFIED)																																														
	MM	INCH																																												
4 PLACES	±	±																																												
3 PLACES	±	±																																												
2 PLACES	±	±																																												
1 PLACE	±	±																																												
0 PLACES	±	±																																												
ANGULAR TOL ± °																																														
$\nabla_E = 0$																																														
$\nabla_P = 0$																																														
DIVISIONAL SYMBOLS			EC NO: 676073	2021/08/30	<table border="1"> <tr> <td colspan="3">molex</td> </tr> <tr> <td colspan="3">RAILROAD TERMINAL 12-10 RING TONGUE TERMINALS</td> </tr> <tr> <td colspan="3">PRODUCT CUSTOMER DRAWING</td> </tr> <tr> <td>DRWN: DMYRICK</td> <td>2021/08/31</td> <td colspan="2">DOCUMENT NUMBER</td> <td>DOC TYPE</td> <td>DOC PART</td> <td>REVISION</td> </tr> <tr> <td>CHK'D: KBURROUGHS</td> <td>2021/08/31</td> <td colspan="2">SD-19058-006</td> <td>PSD</td> <td>001</td> <td>A1</td> </tr> <tr> <td>APPR: KBURROUGHS</td> <td>2021/08/31</td> <td colspan="2">MATERIAL NUMBER</td> <td>CUSTOMER</td> <td colspan="2">SHEET NUMBER</td> </tr> <tr> <td colspan="2">INITIAL REVISION:</td> <td colspan="2">GENERAL MARKET</td> <td colspan="3">1 OF 1</td> </tr> </table>					molex			RAILROAD TERMINAL 12-10 RING TONGUE TERMINALS			PRODUCT CUSTOMER DRAWING			DRWN: DMYRICK	2021/08/31	DOCUMENT NUMBER		DOC TYPE	DOC PART	REVISION	CHK'D: KBURROUGHS	2021/08/31	SD-19058-006		PSD	001	A1	APPR: KBURROUGHS	2021/08/31	MATERIAL NUMBER		CUSTOMER	SHEET NUMBER		INITIAL REVISION:		GENERAL MARKET		1 OF 1		
molex																																														
RAILROAD TERMINAL 12-10 RING TONGUE TERMINALS																																														
PRODUCT CUSTOMER DRAWING																																														
DRWN: DMYRICK	2021/08/31	DOCUMENT NUMBER		DOC TYPE	DOC PART	REVISION																																								
CHK'D: KBURROUGHS	2021/08/31	SD-19058-006		PSD	001	A1																																								
APPR: KBURROUGHS	2021/08/31	MATERIAL NUMBER		CUSTOMER	SHEET NUMBER																																									
INITIAL REVISION:		GENERAL MARKET		1 OF 1																																										
DRWN:																																														
APPR:																																														
DRAFT WHERE APPLICABLE MUST REMAIN WITHIN DIMENSIONS			THIRD ANGLE PROJECTION	DRAWING	SERIES																																									
				B-SIZE	19058																																									