

NOTES:

1. MATERIALS AND FINISHES:
 BODY - BRASS, GOLD PLATING.
 CONTACT - BeCu, GOLD PLATING.
 INSULATOR - PTFE, NATURAL
 NUT - STAINLESS STEEL, NICKEL PLATING

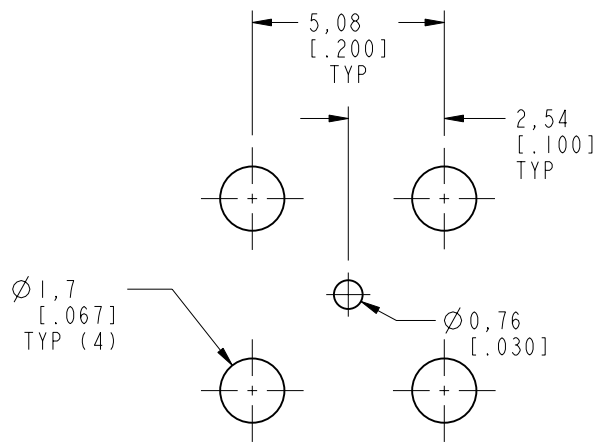
2. ELECTRICAL:
 A. IMPEDANCE: 75 OHM
 B. FREQUENCY RANGE: DC-18 GHz
 C. RETURN LOSS (VSWR): -25dB (1.12) MAX DC-6 GHz
 -20dB (1.22) MAX 6-12 GHz
 D. DIELECTRIC WITHSTANDING VOLTAGE: 1000 VRMS, MIN.

3. MECHANICAL:
 A. DURABILITY: 500 CYCLES MIN.
 B. TEMPERATURE RANGE: -65° C TO +165° C

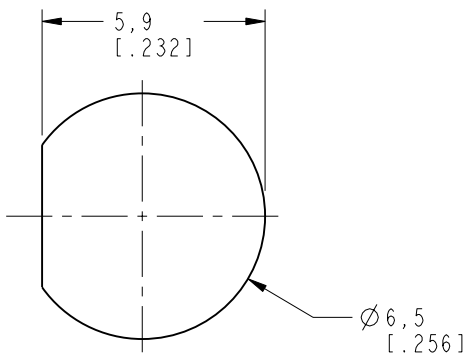
4. PACKAGING:
 A. QUANTITY: SINGLE PACK
 B. MARKING: BAG TO BE MARKED:
 "AMPHENOL RF, 34-1028H-12G DATE CODE"

THIRD ANGLE PROJ.

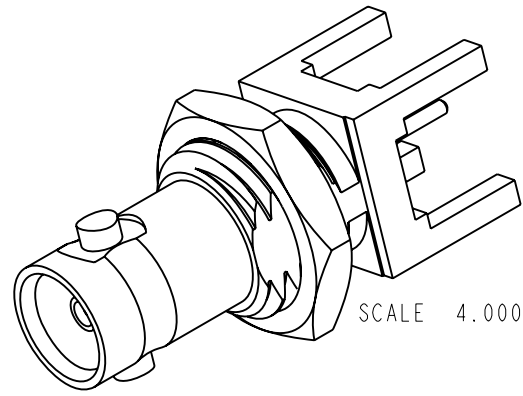
REVISIONS				
REV	DESCRIPTION	DATE	ECN	APPR
A	RELEASE TO MFG.	09-Apr-18	7181	RM



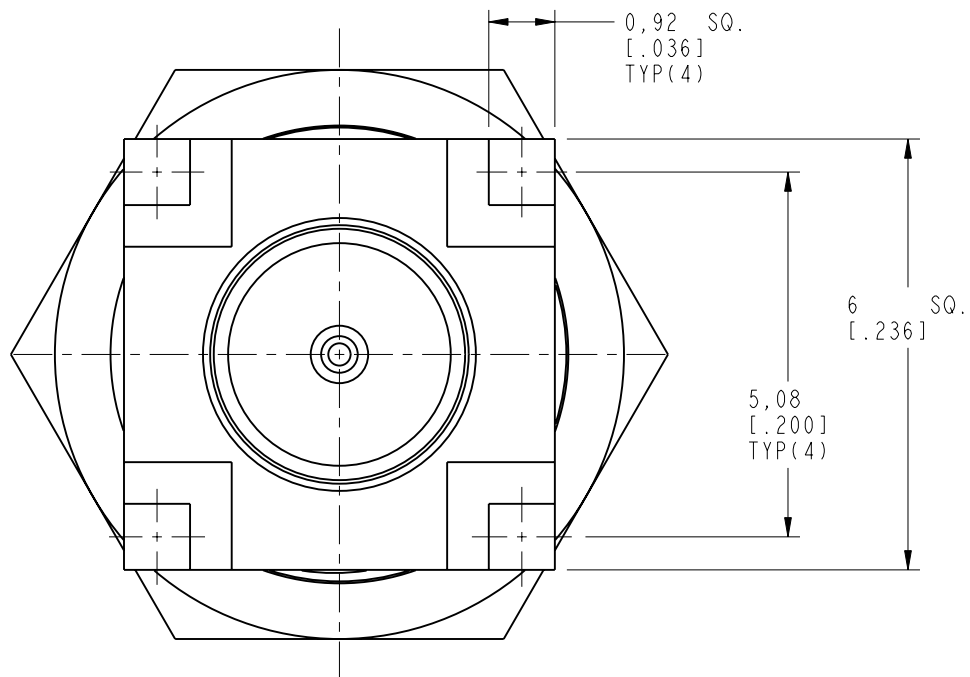
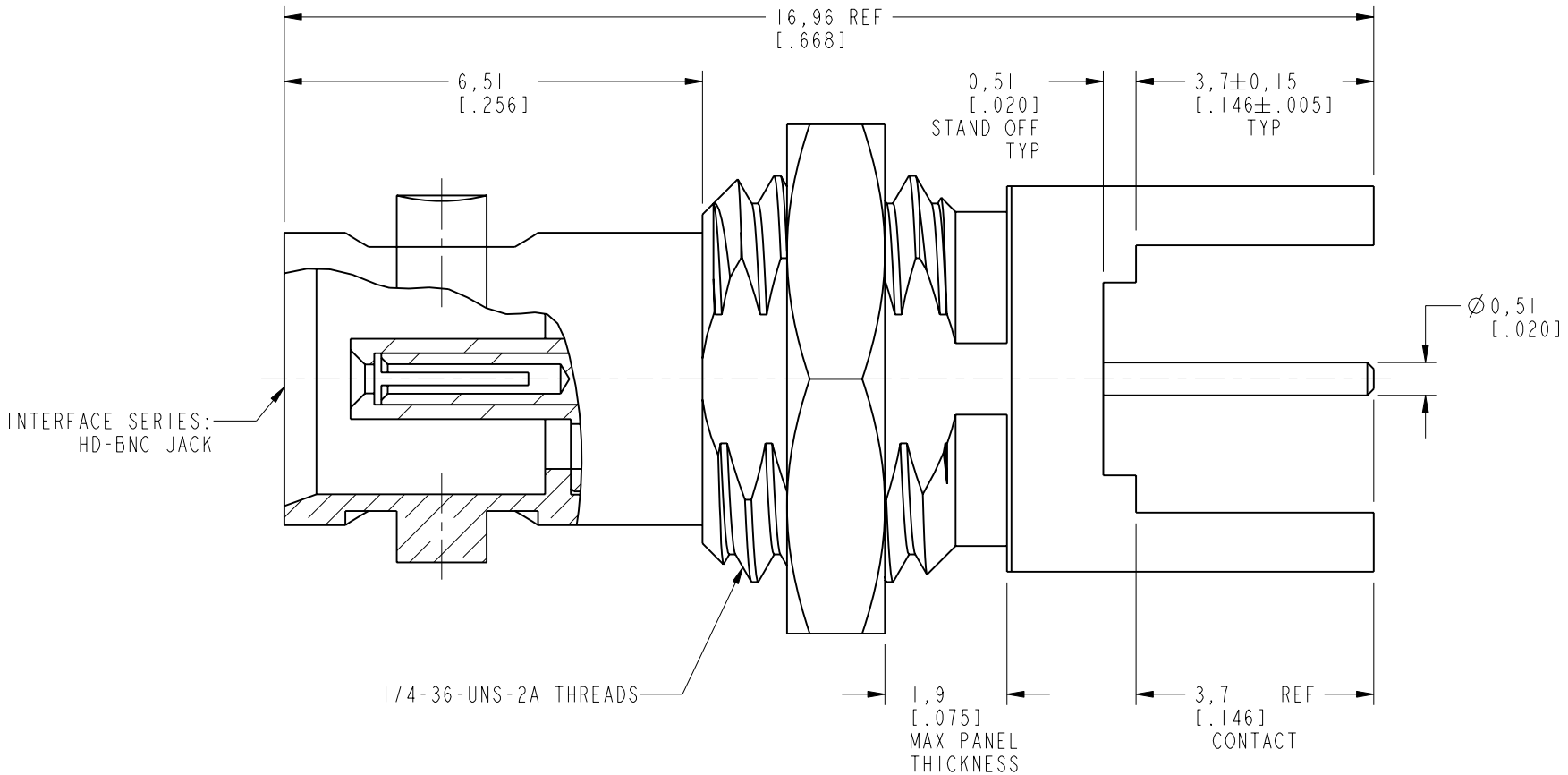
SCALE 5.000
 RECOMMENDED PCB MOUNTING HOLES



SCALE 5.000
 RECOMMENDED PANEL CUTOUT DIMENSIONS



SCALE 4.000



CUSTOMER OUTLINE DRAWING
 ALL OTHER SHEETS ARE FOR INTERNAL USE ONLY

UNLESS OTHERWISE SPECIFIED, DIMENSIONS ARE IN METRIC AND TOLERANCES ARE: <0.5mm ±0.05mm 0.5 - 6mm ±0.1mm 6 - 30mm ±0.2mm 30 - 120mm ±0.3mm ANGLES ±1°	MATERIAL	DRAWN	DATE	TITLE	Amphenol RF www.amphenolrf.com DRAWING NO. 34-1028H-12G ITEM NO. 34-1028H-12G PART NO. 34-1028H-12G
	SEE NOTES	B. GREENBAUM	27-Nov-17	HD-BNC STR BHD JACK	
	REFERENCE	ENGINEER	DATE	RECEPTACLE	
	EAR# 8093	B. GREENBAUM	27-Nov-17	THRU HOLE PCB	
	REF: 34-1018-12G	APPROVED	DATE	SCALE: 9.5:1.0	SHEET 2 OF 2
CONFIGURATION LEVEL: In Work	S. HSIEH	09-Apr-18	DWG SIZE B	REV A	
FINISH	CAD FILE				