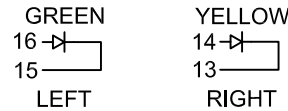


LED Schematics:



Materials and Finish

Housing: PBT
 UL 94V-0 Rated
 Color: Black
 Terminals Bracket: PBT
 UL 94V-0 Rated
 Color: Black
 Shield: C2680, Nickel Plated
 Contact Material: Phosphor Bronze
 Plating:
 RJ45: 6u" Gold Plating on Mating Area
 USB: 1u" Gold Plating on Mating Area

Electrical Characteristics

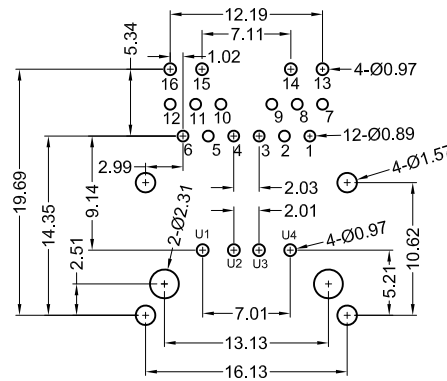
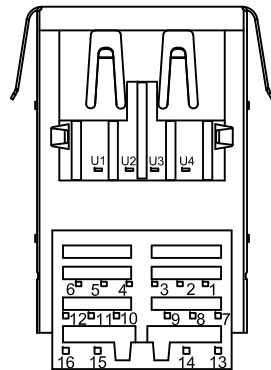
Rated Current: 1.5A
 Rated Voltage: 125V DC
 Insulation Resistance:
 500 Megohms Min.

Contact Resistance:
 20 milliohms Max.

Dielectric Withstanding Voltage:
 500V AC for 1 Minute

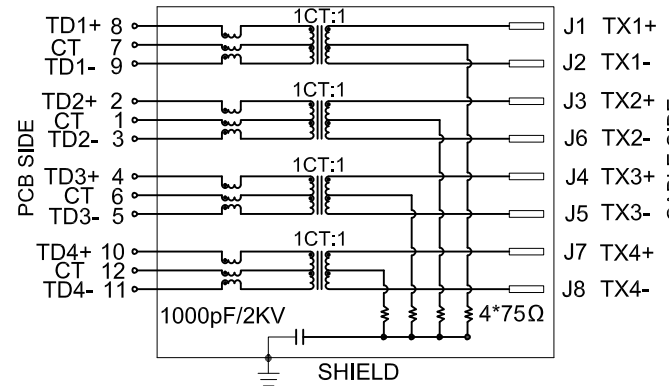
Mechanical Characteristics

Durability Rating: 750 Cycles Min.
 Mating Force: 30 N Max.
 Operating Temperature: -40°C to +85°C
 Storage Temperature: -40°C to +85°C



Recommended PCB Layout (Top View)

Magnetics Schematics:



Electrical Properties:

Insertion Loss (dB Max)	Return Loss (dB Min)				Cross Talk (dB Min)			CMR (dB Min)
	1~10MHz	10~30MHz	30~60MHz	60~80MHz	1~30MHz	30~60MHz	60~100MHz	
-1.0	-20	-16	-12	-10	-40	-35	-30	-35

LED Characteristics			
LED Color	LED Wavelength (units: nm)	Forward Current (units: mA)	Forward Voltage (units: V)
Green	568	20	1.8-2.8
Yellow	585	20	1.8-2.8

Tolerances
X.X ± 0.30
X.XX ± 0.25
Unless Stated Otherwise



REV.	DATE	DESCRIPTION	REV. BY	CHK. BY	DRAWN BY	DATE
A0	04/25/18	New Drawing	J. Elbanna	C. Kelleher	J. Elbanna	04/25/18
A1	11/14/18	Release Drawing DC18-012	D. Shehan	G. Serrato		

GSP1X-188S7-QQ-G/Y

RJ45 over USB Type A, Magnetics
 Tab Up, LEDs, Shielded

