

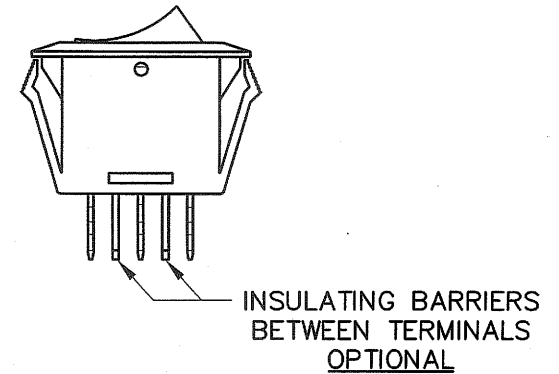
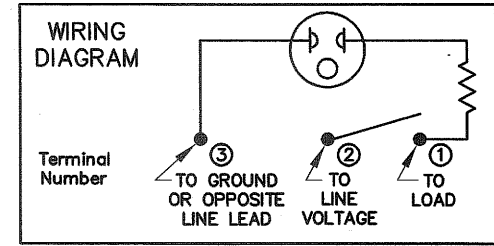
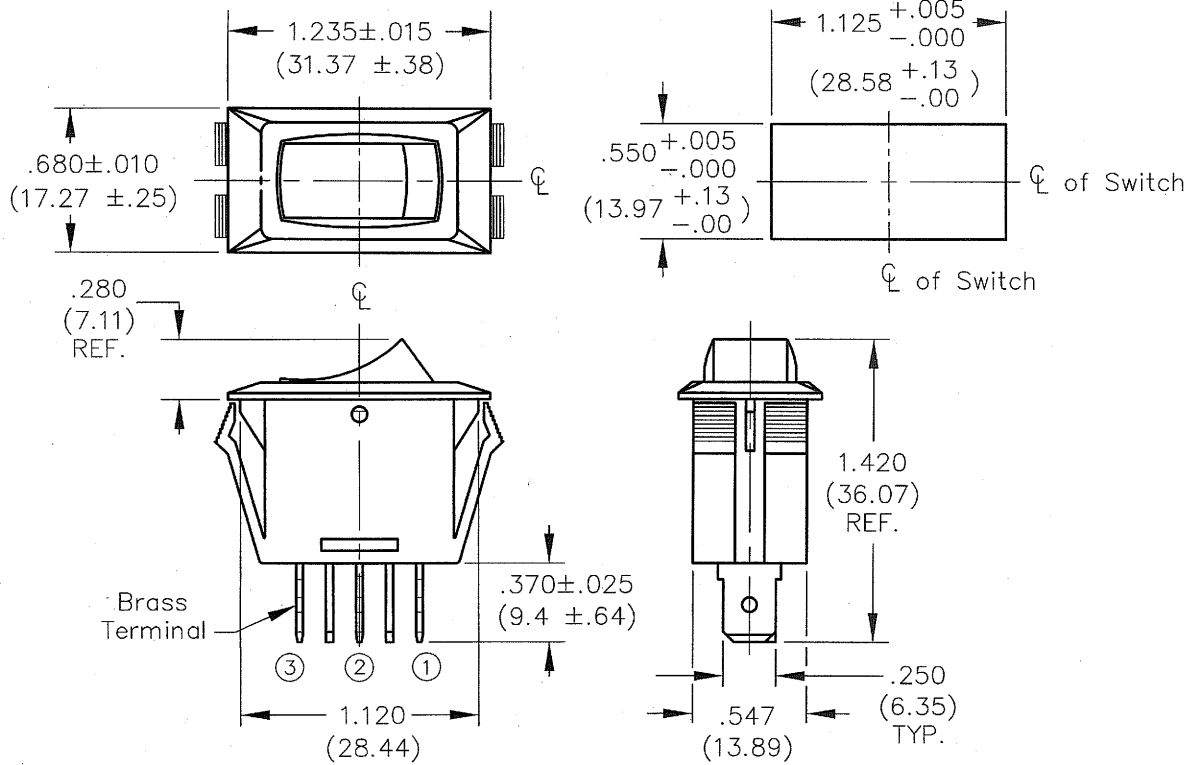
F  
 D  
 C  
 B  
 A

THIS INFORMATION IS CONFIDENTIAL AND PROPRIETARY TO CW INDUSTRIES, INCORPORATED AND ITS AFFILIATES. IT MAY NOT BE DISCLOSED TO ANYONE OTHER THAN CW INDUSTRIES PERSONNEL, WITHOUT WRITTEN AUTHORIZATION FROM CW INDUSTRIES INCORPORATED, SOUTHAMPTON, PENNSYLVANIA USA.

DIMENSIONS IN INCHES (MILLIMETERS)  
 DO NOT SCALE DRAWING .....

Dwg. No.  
**GRL-2011-XXXX**

**PANEL PIERCING**



B-FORMAT 2002 <b>REVISIONS</b> RELEASED: DCW 8-04-2010 0112 7113									
1	2	3	4	5	6	7	8	9	10
PDF FILE MADE							<b>CW INDUSTRIES</b> Southampton, Pa. 18966		Title: <b>LIGHTED ROCKER SWITCH ASSEMBLY S.P./S.T.</b>
TOLERANCES UNLESS OTHERWISE SPECIFIED 2 Place Decimal ±.010 METRIC 3 Place Decimal ±.005 1 Place Dec. ±.25mm Angles ..... ±1° 2 Place Dec. ±.13mm							Made for: CW IND.		Division: <b>SWITCH</b>
Drawn by: DGW 8-04-2010							Checked by: <i>Greg Held</i> 10-27-10		Dwg. No. <b>GRL-2011-XXXX</b>
Approval: <i>Edward L. Paul</i> 10-27-10									

**MASTER**