

## Main

|                              |  |
|------------------------------|--|
| Range of Product             | OsiSense XC                                |
| Series name                  | Special format                             |
| Product or Component Type    | Limit switch                               |
| Product Specific Application | For severe applications                    |
| Device short name            | XC2J                                       |
| Body type                    | Fixed                                      |
| Head type                    | Rotary head                                |
| Material                     | Metal                                      |
| Movement of operating head   | Rotary                                     |
| Type of operator             | Roller lever thermoplastic variable length |
| Switch actuation             | By 30° cam                                 |
| Type of approach             | Lateral approach, 2 directions             |
| Number of poles              | 1  |
| Contact operation            | Snap action                                |
| Minimum torque for tripping  | 2.66 lbf.in (0.3 N.m)                      |
| Maximum actuation speed      | 4.92 ft/s (1.5 m/s)                        |

## Complementary

|                                     |  |
|-------------------------------------|--|
| Fixing Mode                         | By the body  |
| Electrical connection               | Screw-clamp terminals 1 x 0.5...2 x 2.5 mm <sup>2</sup>  |
| Cable entry                         | 1 entry incorporating cable gland 0.24...0.53 in (6...13.5 mm)   |
| Contacts insulation form            | Za   |
| Contacts material                   | Silver plated contacts   |
| Positive opening                    | Without  |
| Minimum actuation speed             | 0.001 m/min  |
| Contact code designation            | A300, AC-15 (Ue = 240 V), Ie = 3 A 10 A EN/IEC 60947-5-1<br>Q300, DC-13 (Ue = 250 V), Ie = 0.27 A EN/IEC 60947-5-1   |
| [Ui] rated insulation voltage       | 500 VIEC 60947-5-1<br>500 VNF C 20-040 group C<br>300 VCSA C22.2 No 14   |
| Maximum resistance across terminals | 25 MOhm IEC 60255-7 category 3<br>25 MOhm NF C 93-050 method A   |
| Short-circuit protection            | 10 A cartridge fuse gG   |
| Electrical durability               | 5000000 Cycles, DC-13, 120 V, 4 W 3600 cyc/h 0.5 IEC 60947-5-1 appendix C<br>5000000 Cycles, DC-13, 24 V, 10 W 3600 cyc/h 0.5 IEC 60947-5-1 appendix C<br>5000000 cycles, DC-13, 48 V, 7 W 3600 cyc/h 0.5 IEC 60947-5-1 appendix C |
| Mechanical durability               | 30000000 cycles  |
| Width                               | 1.57 in (40 mm)  |
| Height                              | 8.74 in (222 mm)   |
| Depth                               | 2.56 in (65 mm)  |
| Net Weight                          | 1.33 lb(US) (0.605 kg)   |
| Terminals description ISO n°1       | (13-14-11-12)OF  |

## Environment

|                                       |  |
|---------------------------------------|--|
| Shock resistance                      | 25 gn 18 ms IEC 60068-2-27   |
| Vibration resistance                  | 10 gn 10...500 Hz)IEC 60068-2-6  |
| IP degree of protection               | IP65 conforming to IEC 60529<br>IP657 conforming to NF C 20-010              |
| IK degree of protection               | IK08   |
| Electrical shock protection class     | Class I IEC 60536<br>Class I NF C 20-030                                     |
| Ambient Air Temperature for Operation | -13...158 °F (-25...70 °C)   |
| Ambient Air Temperature for Storage   | -40...158 °F (-40...70 °C)   |
| Protective treatment                  | TC   |
| Product Certifications                | NEMKO<br>DEMKO<br>CSA  |
| Standards                             | VDE 0660-200<br>EN/IEC 60947-5-1<br>UL 508<br>CSA C22.2 No 14<br>IEC 60337-1 |

## Ordering and shipping details

|                       |                                  |
|-----------------------|----------------------------------|
| Category              | 22449-LIMIT SWITCHES,ACCESSORIES |
| Discount Schedule     | T                                |
| GTIN                  | 3389110327809                    |
| Nbr. of units in pkg. | 1                                |
| Package weight(Lbs)   | 22.50 oz (638.0 g)               |
| Returnability         | No                               |
| Country of origin     | FR                               |

## Packing Units

|                              |                        |
|------------------------------|------------------------|
| Unit Type of Package 1       | PCE                    |
| Package 1 Height             | 2.83 in (7.2 cm)       |
| Package 1 width              | 5.71 in (14.5 cm)      |
| Package 1 Length             | 1.85 in (4.7 cm)       |
| Unit Type of Package 2       | S01                    |
| Number of Units in Package 2 | 7                      |
| Package 2 Weight             | 10.25 lb(US) (4.65 kg) |
| Package 2 Height             | 5.91 in (15 cm)        |
| Package 2 width              | 5.91 in (15 cm)        |
| Package 2 Length             | 15.75 in (40 cm)       |

## Offer Sustainability

|                            |   |
|----------------------------|---|
| Sustainable offer status   | Green Premium product   |
| California proposition 65  | WARNING: This product can expose you to chemicals including: Diisononyl phthalate (DINP), which is known to the State of California to cause cancer, and Di-isodecyl phthalate (DIDP), which is known to the State of California to cause birth defects or other reproductive harm. For more information go to <a href="http://www.P65Warnings.ca.gov">www.P65Warnings.ca.gov</a> |
| REACH Regulation           | <a href="#">REACH Declaration</a>   |
| EU RoHS Directive          | Pro-active compliance (Product out of EU RoHS legal scope) <a href="#">EU RoHS Declaration</a>  |
| Mercury free               | Yes   |
| RoHS exemption information | <a href="#">Yes</a>   |
| Environmental Disclosure   | <a href="#">Product Environmental Profile</a>   |

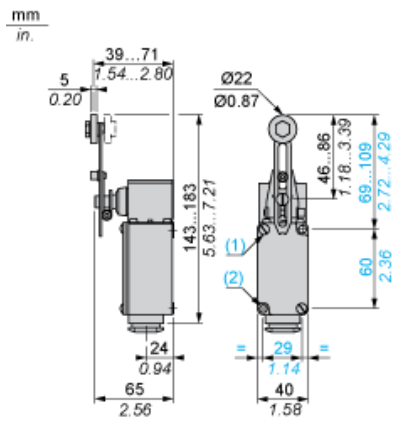
## Contractual warranty

---

|          |           |
|----------|-----------|
| Warranty | 18 months |
|----------|-----------|

---

Dimensions



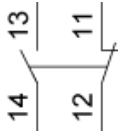
- (1) Fixing from the rear: by 2 M5 screws. Depth of thread on switch: 10 mm.
- (2) Fixing from the front via 2 holes  $\varnothing$  5.5.

---

Wiring Diagram

---

Single-pole CO Snap Action

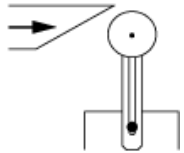


---

Characteristics of Actuation

---

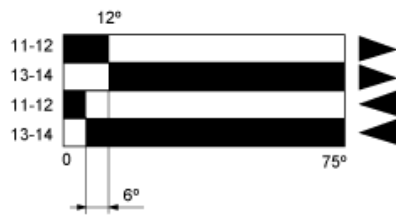
Switch Actuation by 30° Cam



---

Functionnal Diagram

---



- (1) Closed
- (2) Open
- (3) Tripping
- (4) Resetting

- (1) Closed
- (2) Open
- (3) Tripping
- (4) Resetting