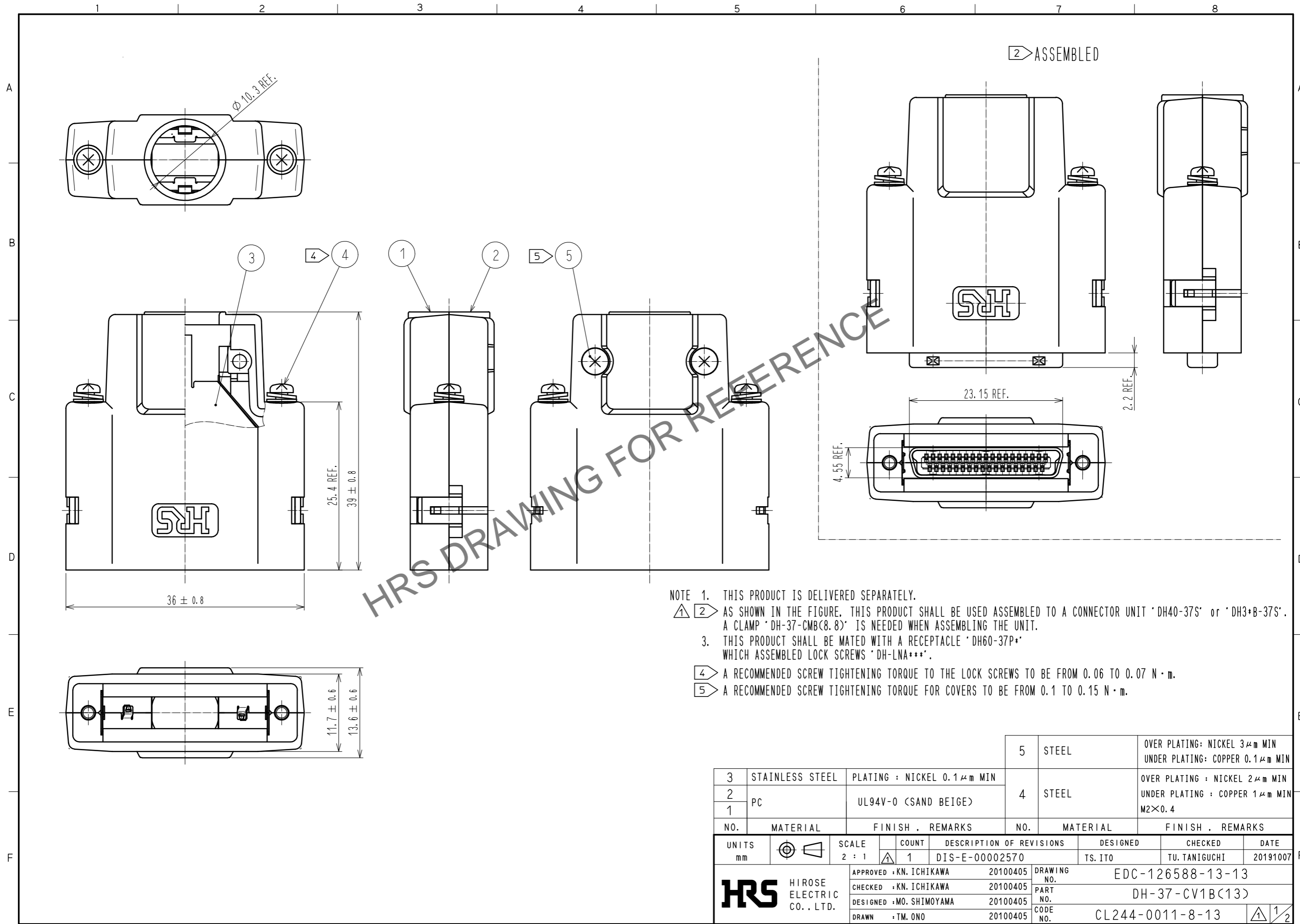


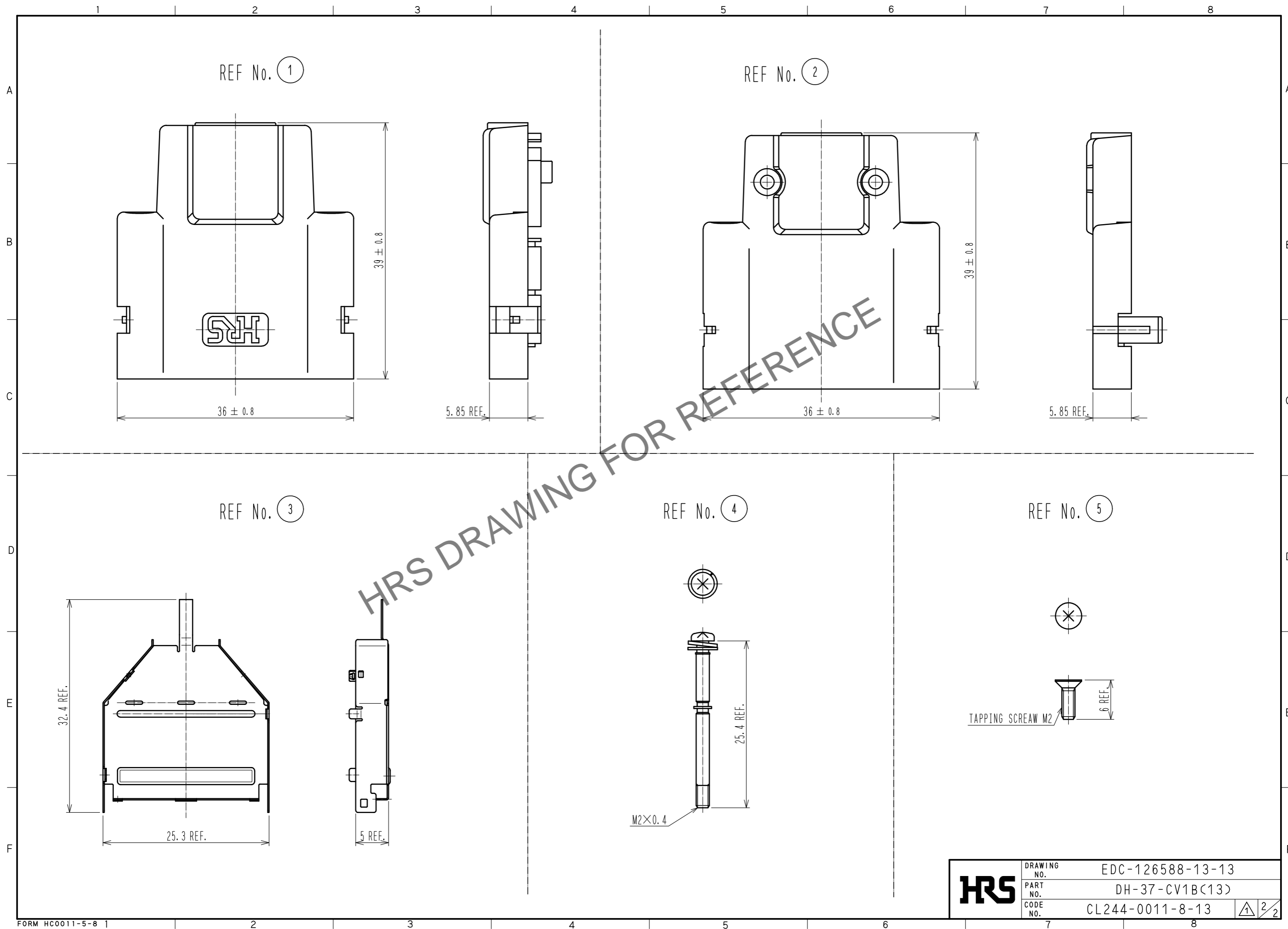
Sep.1.2023 Copyright 2023 HIROSE ELECTRIC CO., LTD. All Rights Reserved.
In case of consideration for using Automotive equipment / device which demand high reliability, kindly contact our sales window correspondents.



- NOTE 1. THIS PRODUCT IS DELIVERED SEPARATELY.
- ① ② AS SHOWN IN THE FIGURE, THIS PRODUCT SHALL BE USED ASSEMBLED TO A CONNECTOR UNIT 'DH40-37S' or 'DH3+B-37S'. A CLAMP 'DH-37-CMB(8.8)' IS NEEDED WHEN ASSEMBLING THE UNIT.
3. THIS PRODUCT SHALL BE MATED WITH A RECEPTACLE 'DH60-37P' WHICH ASSEMBLED LOCK SCREWS 'DH-LNA***'.
- ④ A RECOMMENDED SCREW TIGHTENING TORQUE TO THE LOCK SCREWS TO BE FROM 0.06 TO 0.07 N · m.
- ⑤ A RECOMMENDED SCREW TIGHTENING TORQUE FOR COVERS TO BE FROM 0.1 TO 0.15 N · m.

3	STAINLESS STEEL	PLATING : NICKEL 0.1 μm MIN	5	STEEL	OVER PLATING: NICKEL 3 μm MIN UNDER PLATING: COPPER 0.1 μm MIN
2	PC	UL94V-0 (SAND BEIGE)	4	STEEL	OVER PLATING : NICKEL 2 μm MIN UNDER PLATING : COPPER 1 μm MIN M2×0.4
1					
NO.	MATERIAL	FINISH . REMARKS	NO.	MATERIAL	FINISH . REMARKS
UNITS	mm	SCALE	2 : 1	COUNT	1
DESCRIPTION OF REVISIONS		DESIGNED	TS. ITO	CHECKED	TU. TANIGUCHI
DATE		20191007			
APPROVED : KN. ICHIKAWA		20100405		DRAWING NO. EDC-126588-13-13	
CHECKED : KN. ICHIKAWA		20100405		PART NO. DH-37-CV1B(13)	
DESIGNED : MO. SHIMOYAMA		20100405		CODE NO. CL244-0011-8-13	
DRAWN : TM. ONO		20100405		① 1/2	

Sep.1.2023 Copyright 2023 HIROSE ELECTRIC CO., LTD. All Rights Reserved.
In case of consideration for using Automotive equipment / device which demand high reliability, kindly contact our sales window correspondents.



HRS	DRAWING NO.	EDC-126588-13-13
	PART NO.	DH-37-CV1B(13)
	CODE NO.	CL244-0011-8-13
		2/2