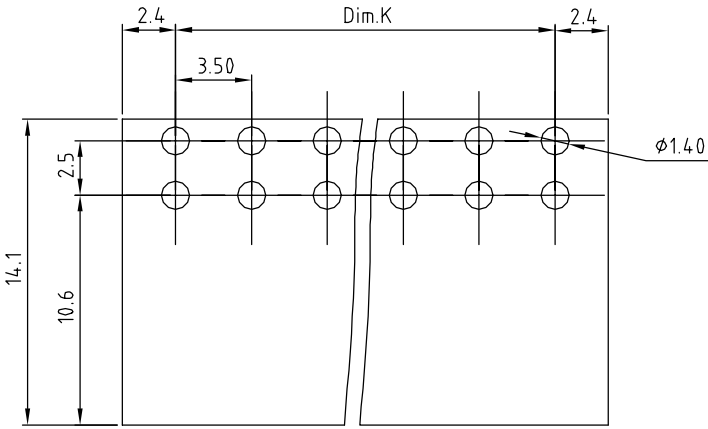
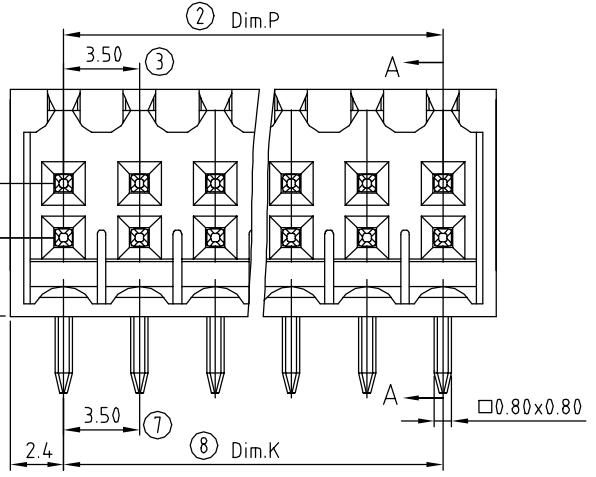
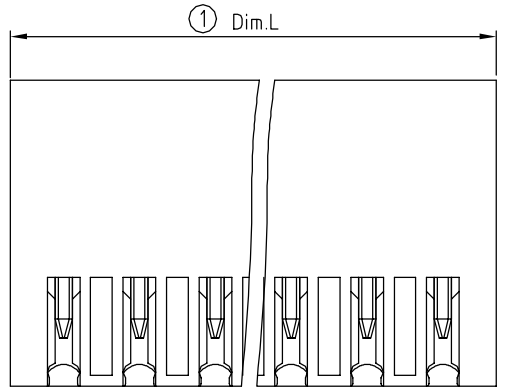


SIGN	DATE	DESCRIPTION	APPROVER
△	04/25'11	Material is changed	Chen Bo
THIS IS CAD DRAWING, DO NOT REVISE MANUALLY!!!			

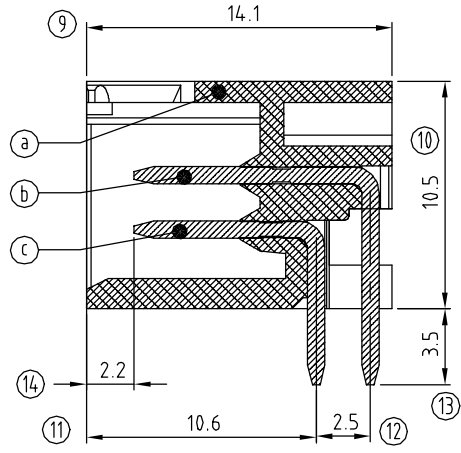


P.C.B Layout

$$\begin{aligned} \text{Dim.L} &= (N/2-1) \times 3.5 + 4.9 \\ \text{Dim.P} &= (N/2-1) \times 3.5 \\ \text{Dim.K} &= (N/2-1) \times 3.5 \end{aligned}$$

N=Number of poles

POLES	Tol	Dim.	Dim.L	Dim.P
2x2p-2x6p			±0.15	±0.10
2x7p-2x12p			±0.25	±0.20
2x13p-2x18p			±0.35	±0.30
2x19p-2x24p			±0.40	±0.35



SECTION A-A

- Material:
- Item ① Terminal housing: PA66 (UL94V-0)
 - Item ② Male contact long pin: Brass, Tin plated
 - Item ③ Male contact short pin: Brass, Tin plated

- Electrical: cULus
- Voltage rating: 150V
 - Current rating: 7 A
 - Withstanding Voltage: 1.3KV
 - Operating temperature: -40°C to +115°C
 - Soldering temperature: 250°C±10°C/5 Sec
 - Safety Approval:



V X xx 1 1 x 1 xxxx G

- NO of pose
- 04 2x2 CONTACTS
 - 06 3x2 CONTACTS
 -
 - 48 24x2 CONTACTS
- Color coding:
- 0 Black
 - 3 Orange
 - 5 Green
 - 6 Blue
 - 8 Grey
- RoHS: Pb<40,000ppm
- 0000 Standard @ Logo
000A Standard ANY Logo
Any special item by customer request, please contact sales department.

ANYTEK				INSPECTION COPY			
ALL RIGHTS RESERVED. REPRODUCTION OR ISSUE TO THIRD PARTIES IN ANY FORM WHATSOEVER IS NOT PERMITTED WITHOUT WRITTEN AUTHORITY FROM THE PROPRIETOR. PROPERTY OF ANYTEK TECHNOLOGY CO., LTD							
TITLE		VX 3.5mm Series Close type Right-angle					
PART NO.		VXxx11x1xxxxG			DWG NO.		8VX002
APPROVED		CHECKED	DESIGNED	DRAWN	CUST NO.		Tolerance
			Runner 2011.04.25	Chen Bo 2011.04.25			X. ±0.50 X.X ±0.30 X.XX ±0.10 X° ±1°
				SHEET: 01/01		UNIT: mm	
						SCALE: NONE	
						REV.: C	