

**Description: 1005 5GNR-n79 Band Pass Filter**

**PART NUMBER: BPF1005LRQLR4700A**

**Features:**

- Compact size : 1.0x0.5x0.32mm
- RoHS compliant

**Applications:**

- WWAN
- 5GNR-n79

**ELECTRICAL SPECIFICATIONS**

Item	Frequency Range(MHz)	Min.	Typ.	Max.
Insertion Loss (dB)	4400~5000	-	1.74	2.2
Insertion Loss (dB) at -40~85°C	4400~5000	-	-	2.5
Return Loss (dB)	4400~5000	14	17.5	-
Attenuation (dB)	600~960	30	42.2	-
	1164~1300	33	38.5	-
	1476~1511	30	39.9	-
	1559~1610	30	39.6	-
	1805~2200	30	39.9	-
	2300~2690	37	51.4	-
	3055~3490	25	35.2	-
	3490~3600	15	29.6	-
	5490~5670	-	3.0	-
	5670~5875	3	6.0	-
	5875~6100	7	13.8	-
	6100~6980	15	22.5	-
	8800~10000	25	39.1	-
	13200~15000	15	22.4	-

Operating Temperature Range : -40~85°C

Power Capacity : 3W max.

In the effort to improve our products, we reserve the right to make changes judged to be necessary.

CONFIDENTIAL AND PROPRIETARY INFORMATION

This document contains confidential and proprietary information of Pulse Electronics, Inc. (Pulse) and is protected by copyright, trade secret and other state and federal laws. Its receipt or possession does not convey any rights to reproduce, disclose its contents, or to manufacture, use or sell anything it may describe. Reproduction, disclosure or use without specific written authorization of Pulse is strictly forbidden.

For more information:

Pulse Worldwide Headquarters  
15255 Innovation Drive #100  
San Diego, CA 92128  
USA  
Tel:1-858-674-8100

Pulse/Larsen Antennas  
18110 SE 34<sup>th</sup> St Bldg 2 Suite 250  
Vancouver, WA 98683  
USA  
Tel: 1-360-944-7551

Europe Headquarters  
Pulse GmbH & Do, KG  
Zeppelinstrasse 15  
Herrenberg, Germany  
Tel: 49 7032 7806 0

Pulse (Suzhou) Wireless Products Co, Inc.  
99 Huo Ju Road(#29 Bldg,4<sup>th</sup> Phase  
Suzhou New District  
Jiangsu Province, Suzhou 215009 PR China  
Tel: 86 512 6807 9998

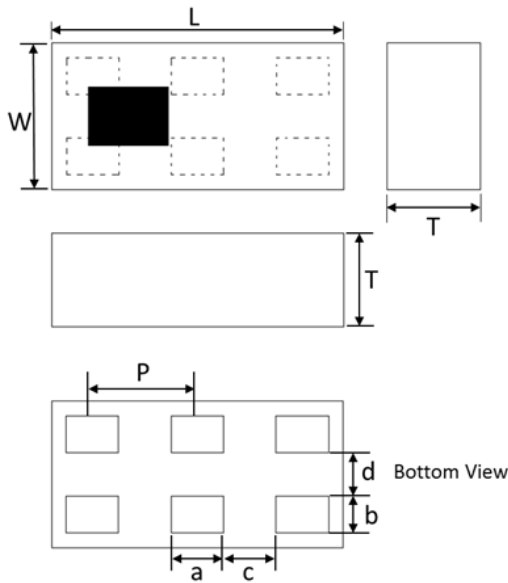


Description: 1005 5G NR-n79 Band Pass Filter

PART NUMBER: BPF1005LRQLR4700A

MECHANICAL DIMENSION

Outline



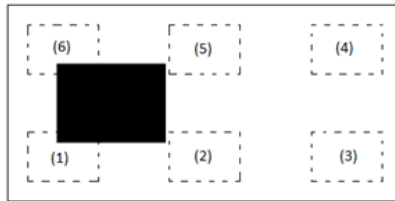
Termination

Terminal name	Function
P1	Input
P2	GND
P3	Output
P4	NC
P5	GND
P6	NC

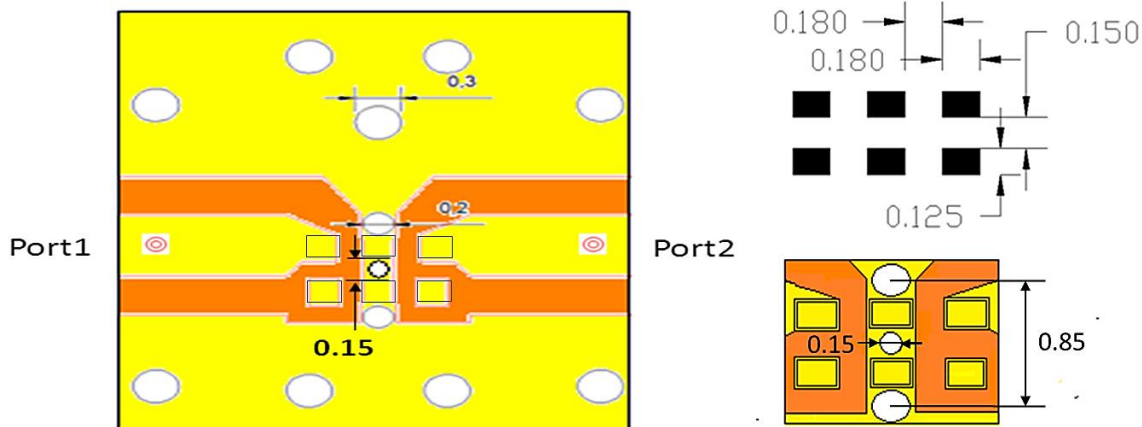
Mechanical

	Dimension
L (mm)	1.00±0.05
W (mm)	0.50±0.05
T (mm)	0.32(Max.)
a (mm)	0.18±0.05
b (mm)	0.125±0.05
c (mm)	0.18±0.05
d (mm)	0.15±0.05
e (mm)	0.36±0.05

Top View



Reference design of EVB



The via can suppress harmonics

Unit : mm

⊙ Line width should be designed to match 50Ω characteristic impedance, depending on PCB material and thickness.

In the effort to improve our products, we reserve the right to make changes judged to be necessary.

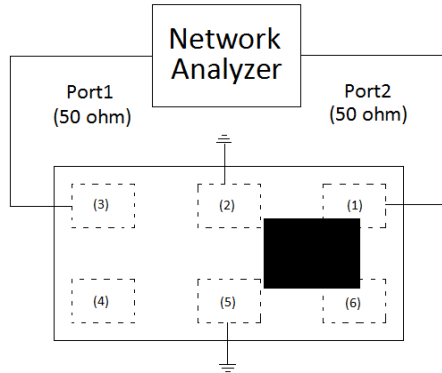
CONFIDENTIAL AND PROPRIETARY INFORMATION

This document contains confidential and proprietary information of Pulse Electronics, Inc. (Pulse) and is protected by copyright, trade secret and other state and federal laws. Its receipt or possession does not convey any rights to reproduce, disclose its contents, or to manufacture, use or sell anything it may describe. Reproduction, disclosure or use without specific written authorization of Pulse is strictly forbidden.

Description: 1005 5GNR-n79 Band Pass Filter

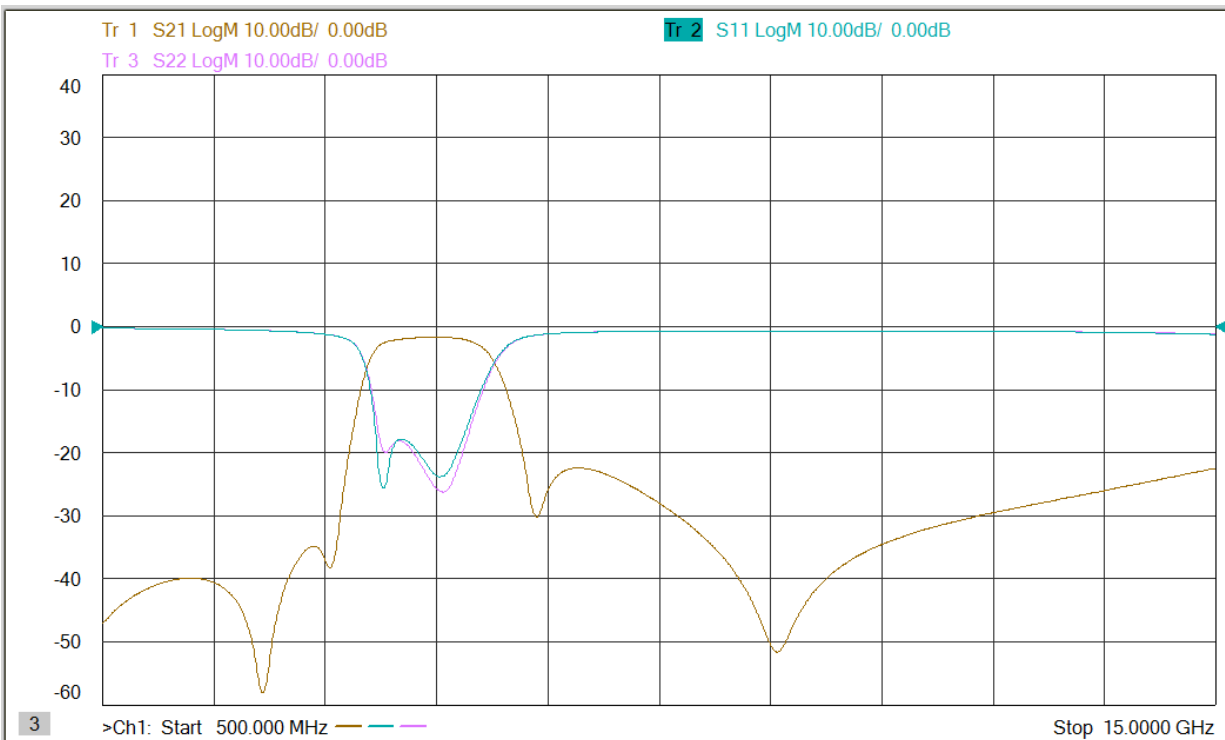
PART NUMBER: BPF1005LRQLR4700A

MEASURING DIAGRAM



Test Instrument :  
Agilent E5071C Network Analyzer or equivalent.

ELECTRICAL PERFORMANCES



**Description:** 1005 5G NR-n79 Band Pass Filter**PART NUMBER:** BPF1005LRQLR4700A**REVISION HISTORY**

Revision	Date	Description
Version 1	Jul. 12, 2022	- New issue