



Single Port RJ45 Connector

AR11-4526



- 10/100 Base T for LAN, WAN and other Ethernet applications
- Meets IEEE 802.3 specification
- Standard Operating Temp: 0°C +70°C

Electrical Specifications @ 25°C

OCL(μH Min) @100KHz, 0.1V	Turns Ratio (±2%)		Insertion Loss (dB Max)	Cross Talk (dB Min)
With 8mA DC Bias	TX=1CT:1CT	RX=1CT:1CT	1-100MHz	1-100MHz
350	1:1	1:1	-1.0	-30

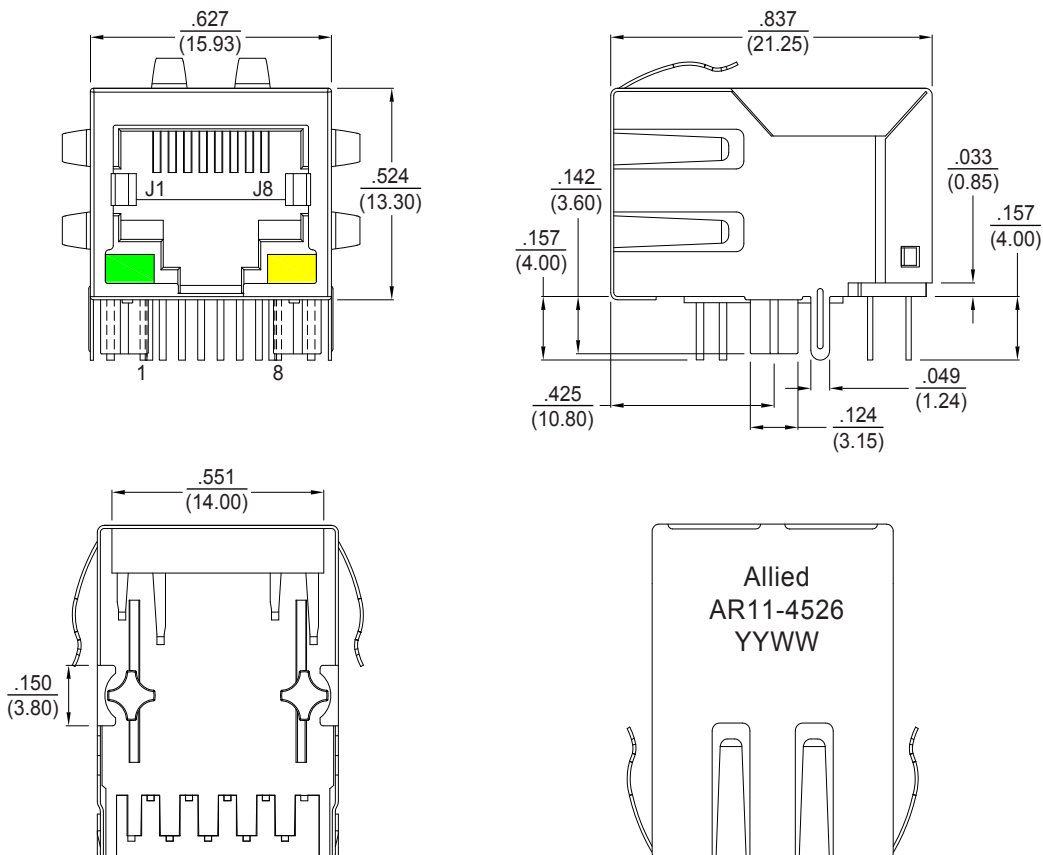
Electrical Specifications @ 25°C

Return Loss (dB Min)			CMR (dB Min)	Hi-Pot
1-30MHz	30-60MHz	60-80MHz	1-100MHz	
-18	-16	-12	-30	1500Vrms

All specifications subject to change without notice.

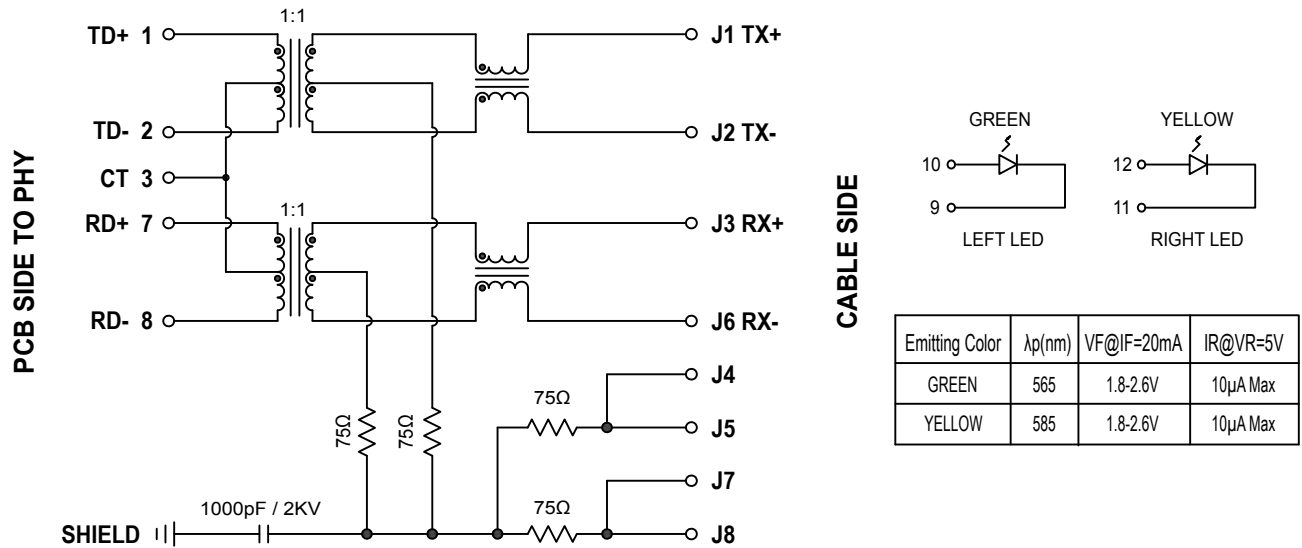
MECHANICAL

Dimensions: $\frac{\text{inch}}{\text{mm}}$





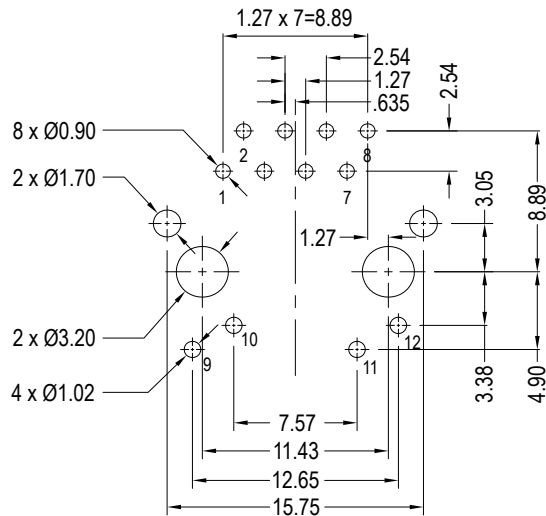
SCHEMATIC



Emitting Color	λ_p (nm)	V _F @I _F =20mA	I _R @V _R =5V
GREEN	565	1.8-2.6V	10μA Max
YELLOW	585	1.8-2.6V	10μA Max

PCB LAYOUT

Dimensions: mm



Tolerance is ±0.2mm unless otherwise specified

NOTES

- Connector Materials:
 Housing: Thermoplastic PBT+30% G.F. UL94V-0
 Contact: Phosphor Bronze C5210R-EH Thickness = 0.35mm
 Pins: Brass C2680R-H Thickness = 0.35mm
 Shield: SUS 201-1/2H Thickness = 0.20mm
 Contact Plating: Gold 6μ" min. in contact area
- Wave solder tip temperature: 265°C max, 5 sec. max