

THIS DRAWING IS UNPUBLISHED. RELEASED FOR PUBLICATION
 © COPYRIGHT BY TYCO ELECTRONICS CORPORATION. ALL RIGHTS RESERVED.

LOC	DIST	REVISIONS			
P	LTR	DESCRIPTION	DATE	DWN	APVD
GP	00	H2	REVISED PER ECO-07-008008	10APR07	JDP/CWR

D

C

B

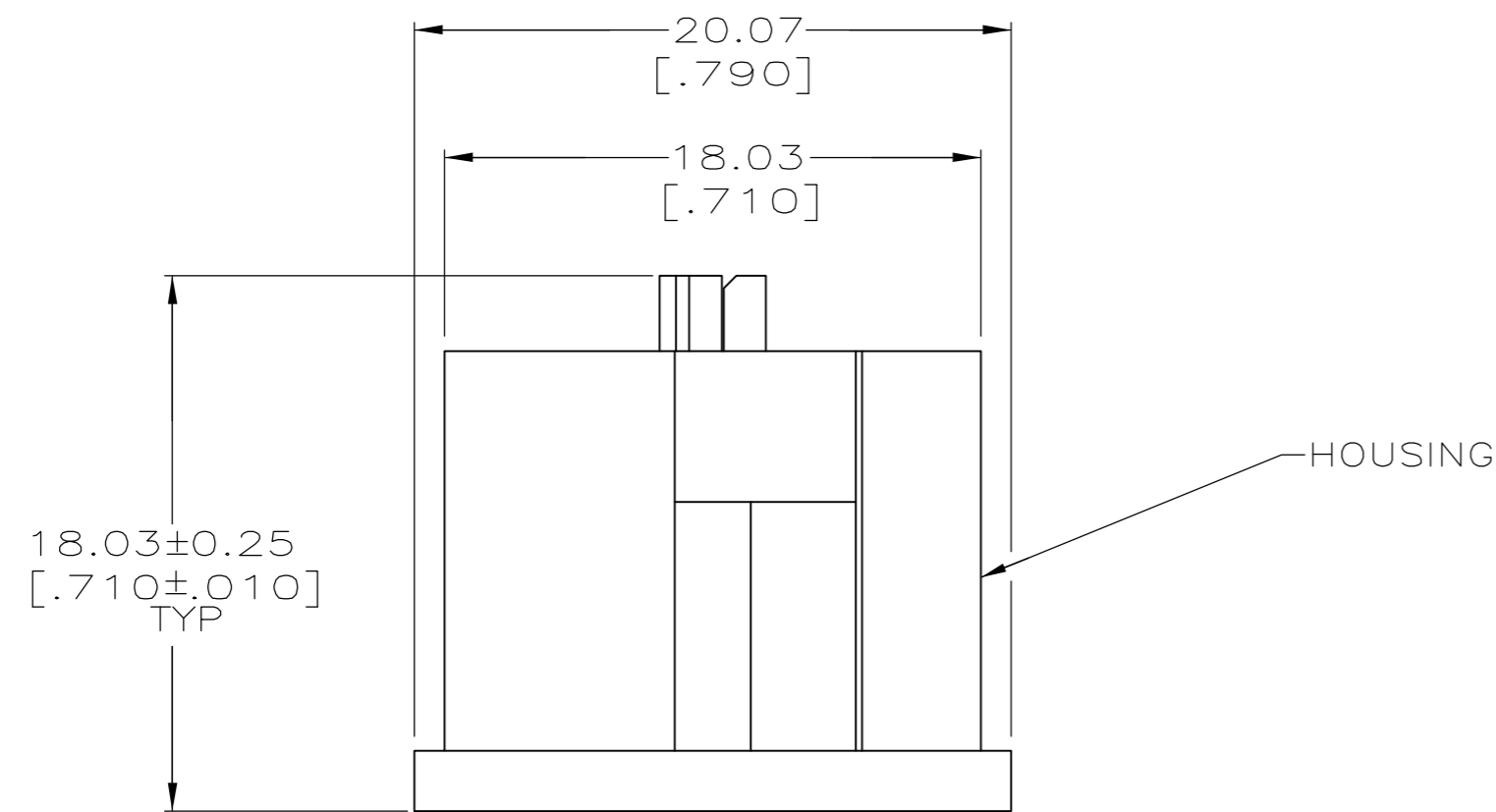
A

D

C

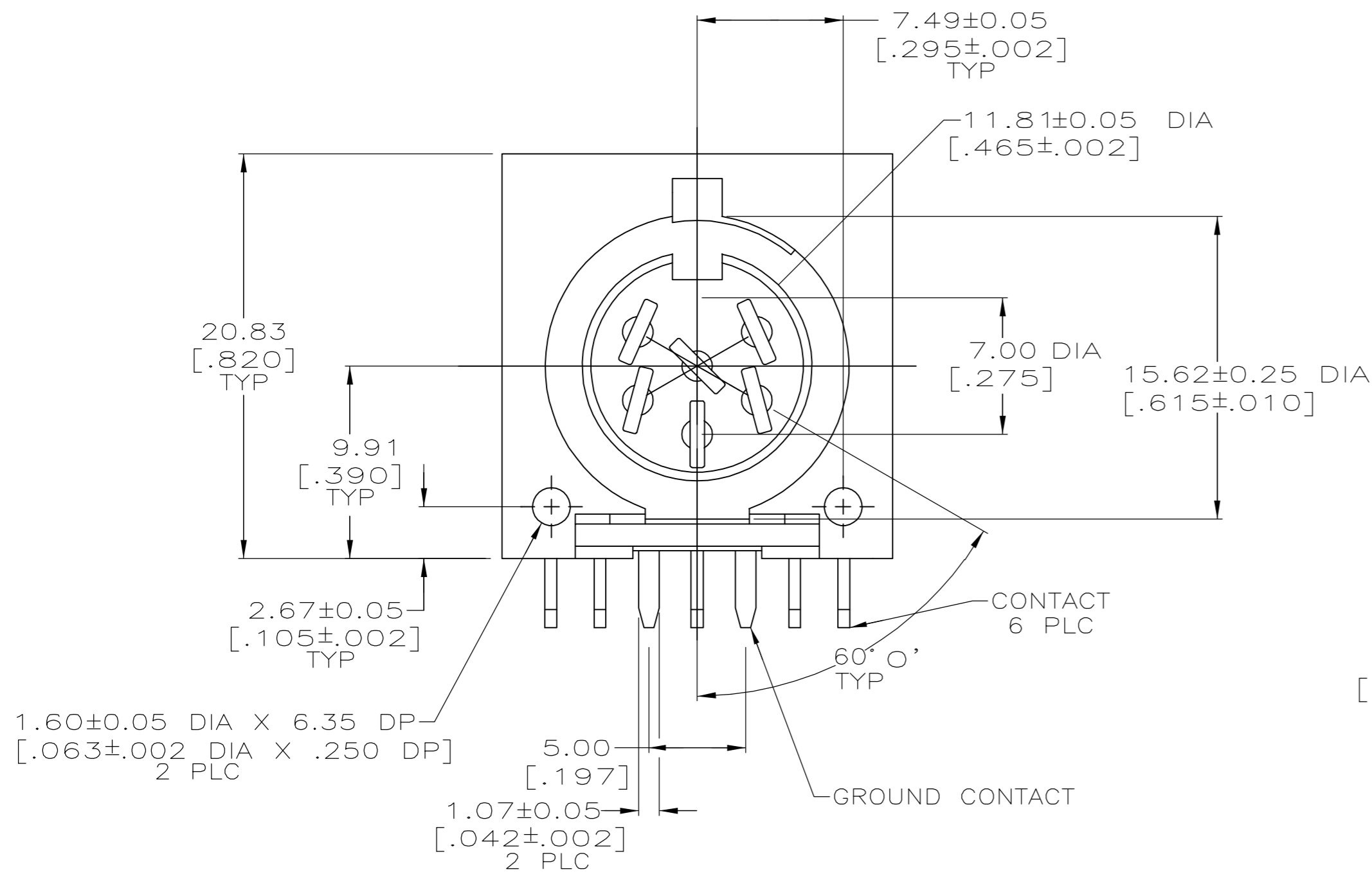
B

A



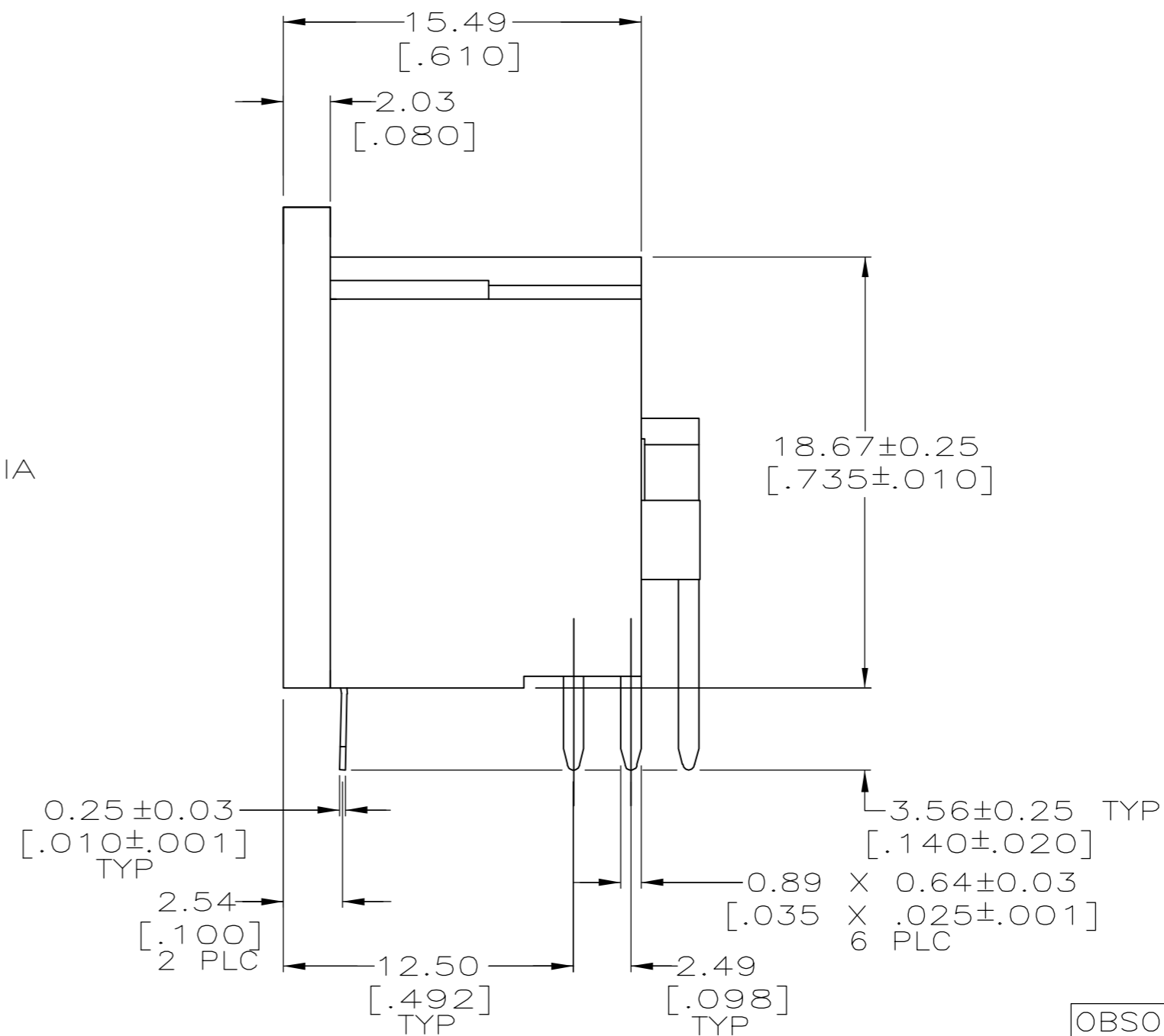
HOUSING

- ① NYLON, UL 94V-0 RATED, BLACK.
- ② 2.54μm [.000100] MIN TIN-LEAD OVER 1.27μm [.000050] MIN NICKEL.
- ③ TIN PLATING PER MIL-T-10727, NICKEL PLATING PER QQ-N-290.
- ④ ACCEPTS #2 SELF-TAPPING SCREW, .250 LONG REF.
- ⑤ MATES WITH 6 POSITION SHIELDED DIN PLUG 212437-4.
- ⑥ BRASS PER ASTM B36.
- ⑦ 2.54μm [.000100] MIN TIN OVER 1.27μm [.000050] MIN NICKEL.



CONTACT 6 PLC

GROUND CONTACT



OBsolete	⑦	9-211509-0
	②	211509-1
FINISH		PART NUMBER

THIS DRAWING IS A CONTROLLED DOCUMENT.		DWN	8/12/91		 Tyco Electronics Corporation Harrisburg, PA 17105-3608
DIMENSIONS: mm [INCHES]		CHK	-		
TOLERANCES UNLESS OTHERWISE SPECIFIED:		APVD	-		NAME
0 PLC ± -	1 PLC ± -	PRODUCT SPEC	108-10047		RECEPTACLE ASSY, RIGHT ANGLE, 6 POSITION, CIRCULAR DIN
2 PLC ± 0.13[.005]	3 PLC ± -	APPLICATION SPEC	114-40025		SIZE
4 PLC ± -	ANGLES ± -	WEIGHT	-		CAGE CODE
FINISH	SEE TABLE	CUSTOMER DRAWING	A2		DRAWING NO
			00779		RESTRICTED TO
			C=211509		SCALE
			4:1		SHEET
			1 of 1		REV
			H2		