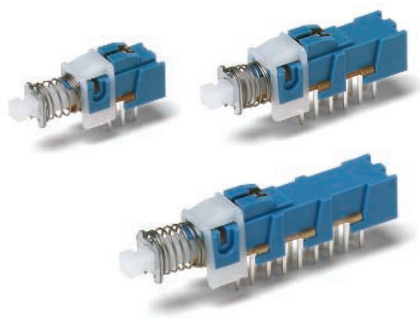


# C&K PHA Series Short Stroke Pushbutton Switches



Pushbutton  
A



## Features/Benefits

- Momentary or latching action
- Low cost, reliable contact design
- 2, 4 & 6 pole configurations
- Sealed contacts
- Optional buttons

## Typical Applications

- Computers and peripherals
- Instrumentation and measurement equipment
- Non-power, on-off switch applications

## Specifications

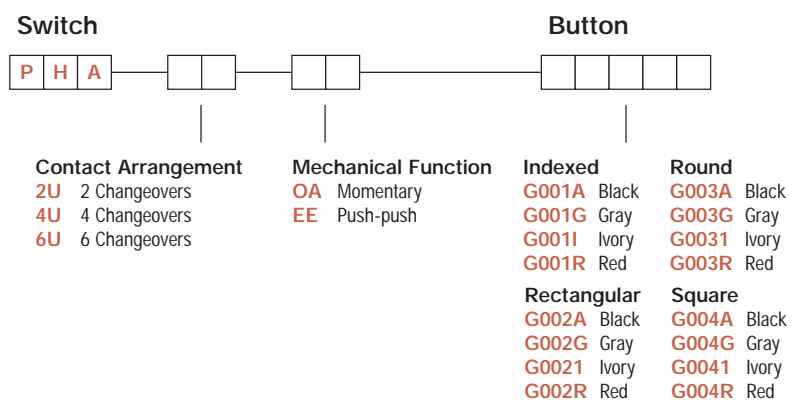
SWITCHING POWER MAX.: 3 W DC  
 SWITCHING VOLTAGE MAX.: 30 V DC  
 SWITCHING CURRENT MAX.: 100 mA DC  
 DIELECTRIC STRENGTH (50 Hz/1 min.): 500 V between open contacts. 1500 V between chassis and contacts.  
 OPERATING LIFE: Impulse/momentary (OA):  $\sim 10^4$  operations.  
 Latching (EE):  $\sim 10^4$  operations  
 CONTACT RESISTANCE: New:  $\approx 20 \text{ m}\Omega$   
 After 105 operations:  $\approx 40 \text{ m}\Omega$   
 INSULATION RESISTANCE:  $\sim 10^{10} \Omega$   
 CAPACITANCE:  $\approx 1.5 \text{ pF}$   
 CONTACT BOUNCE:  $\approx 2 \text{ ms}$   
 Operating speed 200 mm/s (7.87 inch/s)  
 TOTAL TRAVEL/LATCHING TRAVEL: 2.5mm/1.5mm  
 (.0984 inch/.0591 inch)  
 OPERATING FORCE:  
 2U: 170cN $\pm$ 50cN (170 grams $\pm$ 50 grams)  
 4U: 230cN $\pm$ 70cN (230 grams $\pm$ 70 grams)  
 6U: 300cN $\pm$ 100cN (300 grams $\pm$ 100 grams)  
 SEALING: Sealed contacts.

## Materials

FIXED TERMINAL: Brass, silver plated.  
 MOVABLE CONTACT: Phosphor bronze, silver plated.  
 SWITCH BODY: PPE  
 ACTUATOR: POM  
 STANDOFF CLIP: POM  
 RETURN SPRING: Music wire.  
 RETURN SPRING RETAINER: Carbon steel, tin plated.  
 DETENT SPRING PLATE: Phosphor bronze.  
 DETENT SPRING: Stainless steel.  
 BASE: Laminated phenolic.  
 TERMINAL SEAL: Epoxy.  
**NOTE:** Specifications and materials listed above are for switches with standard options. For information on specific and custom switches, consult Customer Service Center.

## Build-A-Switch

To order, simply select desired option from each category and place in the appropriate box. Available options are shown and described on pages A-79 thru A-81. For additional options not shown in catalog, consult Customer Service Center.



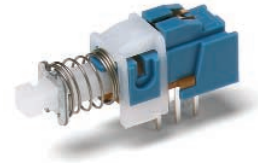
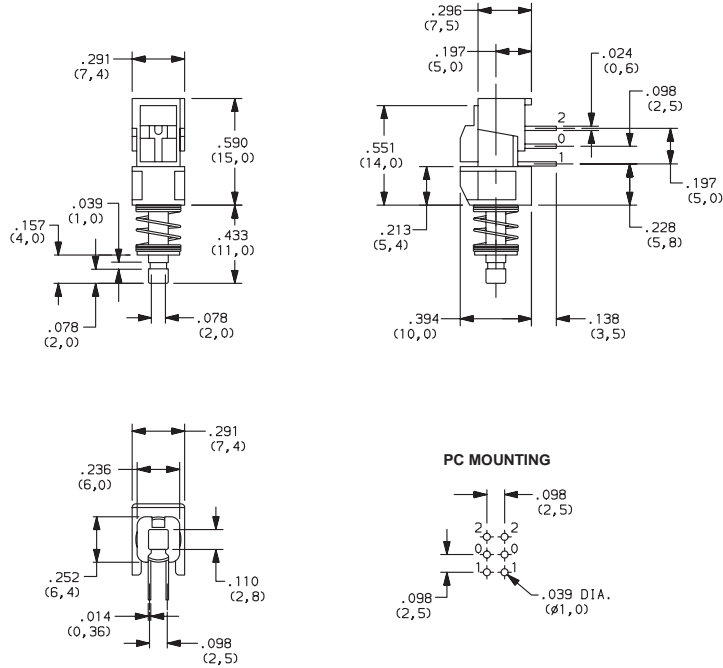
### BUTTON REMOVAL

A button of a push-push switch should only be removed in the "OFF" non-latching position.

# C&K PHA Series Short Stroke Pushbutton Switches

DESIGNATION

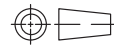
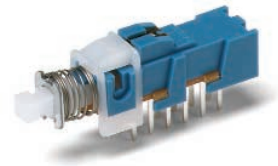
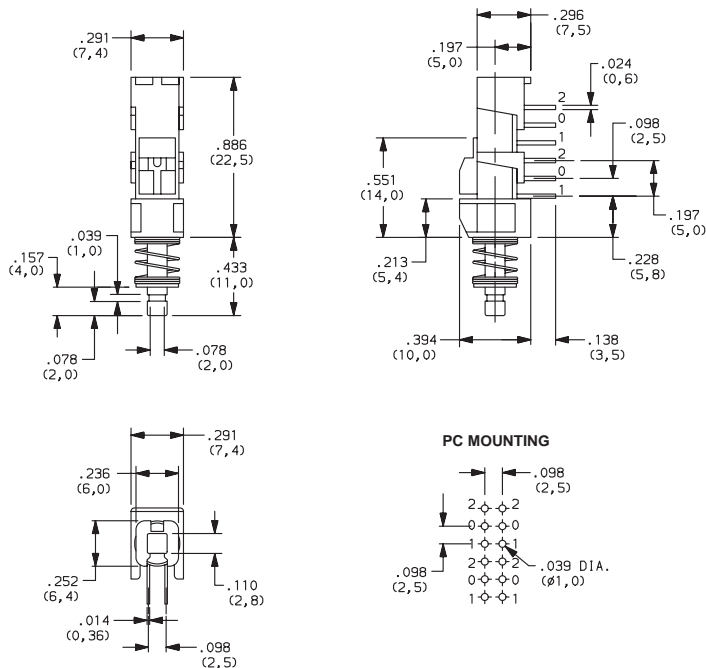
**2U** 2 CHANGEOVERS



**A**

Pushbutton

**4U** 4 CHANGEOVERS



Third Angle  
Projection

Dimensions are shown: IN (mm)  
Dimensions subject to change

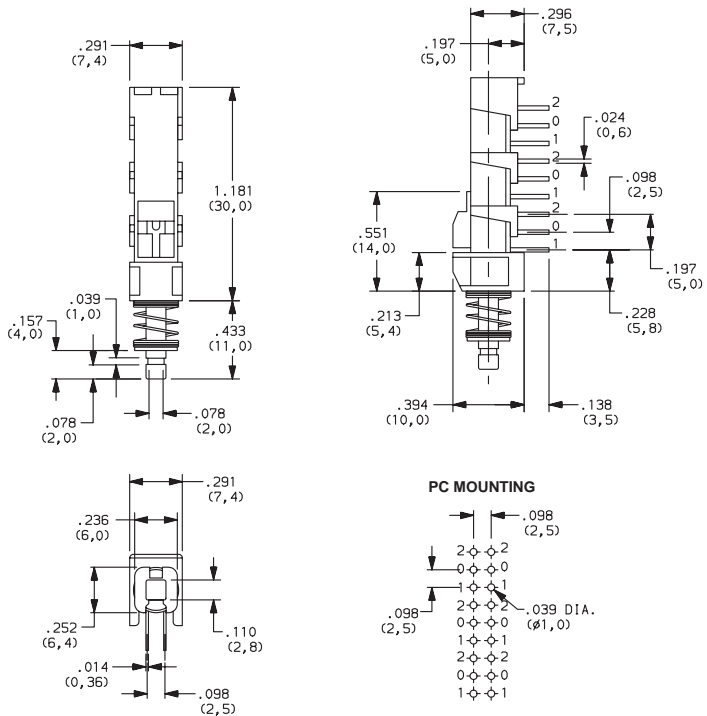
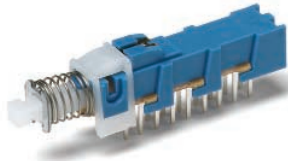
# C&K PHA Series Short Stroke Pushbutton Switches



## DESIGNATION

**6U** 6 CHANGEOVERS

A  
Pushbutton



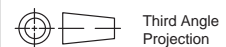
## CONTACT ARRANGEMENT

OPTION CODE	NO. OF POLES *	SCHEMATIC
<b>2U</b>	2PDT	
<b>4U</b>	4PDT	2X
<b>6U</b>	6PDT	3X

\*Non-shorting contacts.

## MECHANICAL FUNCTION

OPTION CODE	FUNCTION
<b>OA</b>	Momentary
<b>EE</b>	Push-push



Third Angle Projection  
Dimensions are shown: IN (mm)  
Dimensions subject to change

# C&K PHA Series Short Stroke Pushbutton Switches

## BUTTONS

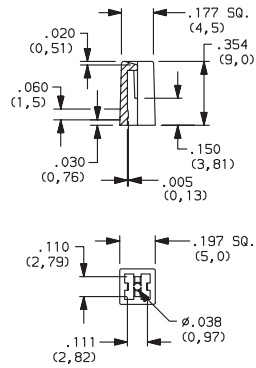


A

Pushbutton

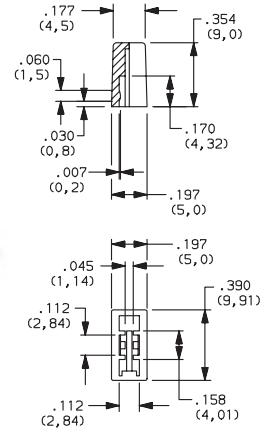
### Indexed

- G001A Black
- G001G Gray
- G001I Ivory
- G001R Red



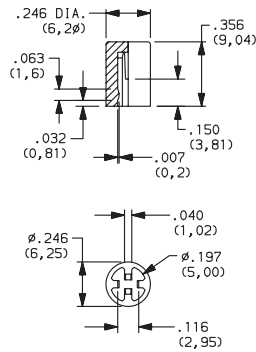
### Rectangular

- G002A Black
- G002G Gray
- G002I Ivory
- G002R Red



### Round

- G003A Black
- G003G Gray
- G003I Ivory
- G003R Red



### Square

- G004A Black
- G004G Gray
- G004I Ivory
- G004R Red

