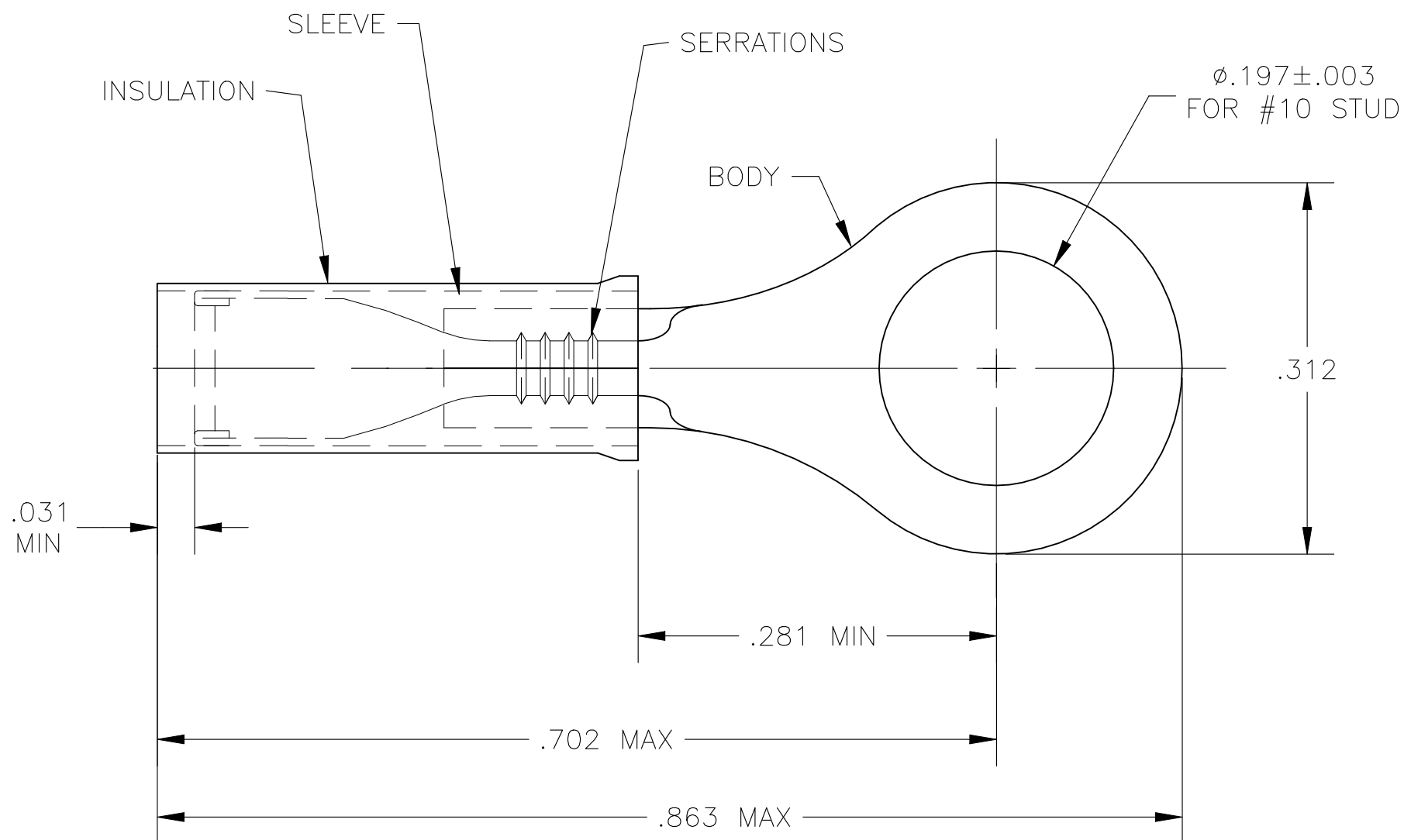


REVISIONS					
P	LTR	DESCRIPTION	DATE	DWN	APVD
	C3	REV PER ECN-22-156403	06JUN2022	RK	CSD



- 1 TONGUE MATERIAL THK IS  $.027 \pm .001$
- 2 FOR  $.050$  TO  $.105$  WIRE INS. DIA.
- 3 MUST BE CRIMPED WITH 22-18 OR 22-16 PIDG (RED) TOOL.
- 4 MEETS MS25036-147, CLASS 1
- 5 NOTE DELETED

2500	ON TAPE, REEL	54312-2	BODY: COPPER ASTM B152 TIN PL PER ASTM B545 SLEEVE: COPPER ASTM B152 TIN PL PER ASTM B545 INSULATION: NYLON, COLOR: YELLOW
1000	LOOSE PIECE	54312-1	
QTY	PACKAGE TYPE	PART NO	MATERIAL & FINISH

THIS DRAWING IS A CONTROLLED DOCUMENT.		DWN JR RUTH 27JAN04	TE Connectivity	
DIMENSIONS: INCHES		CHK T MICHIELUTTI 27JAN04		
TOLERANCES UNLESS OTHERWISE SPECIFIED:		APVD T MICHIELUTTI 27JAN04	NAME TERMINAL, NYLON PIDG, RING TONGUE; WIRE SIZE 26-24	
0 PLC ± -		PRODUCT SPEC	-	
1 PLC ± -		APPLICATION SPEC	-	
2 PLC ± -		WEIGHT	-	
3 PLC ± .008		SIZE	CAGE CODE	DRAWING NO
4 PLC ± -		A300779		C-54312
ANGLES ± 1°		CUSTOMER DRAWING		RESTRICTED TO
MATERIAL SEE TABLE		FINISH SEE TABLE		SCALE 8:1
		SHEET 1 OF 1		REV C3