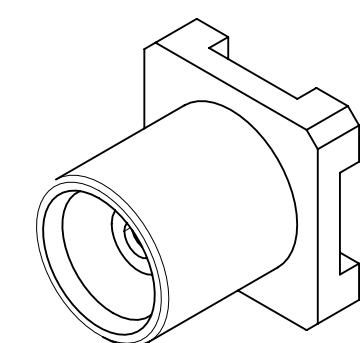


MATERIALS & FINISHES:

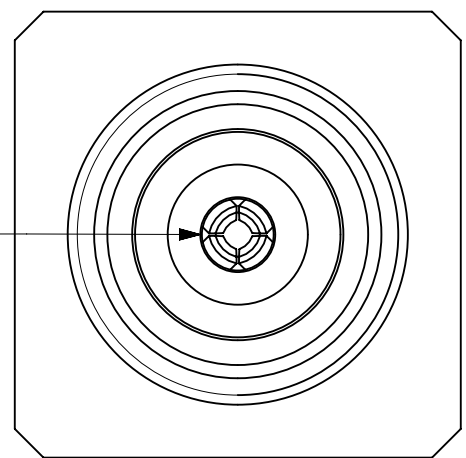
BODY: BRASS
PLATING SEE TABLE

CONTACT: BERYLLIUM COPPER
GOLD (30µ-in MIN)

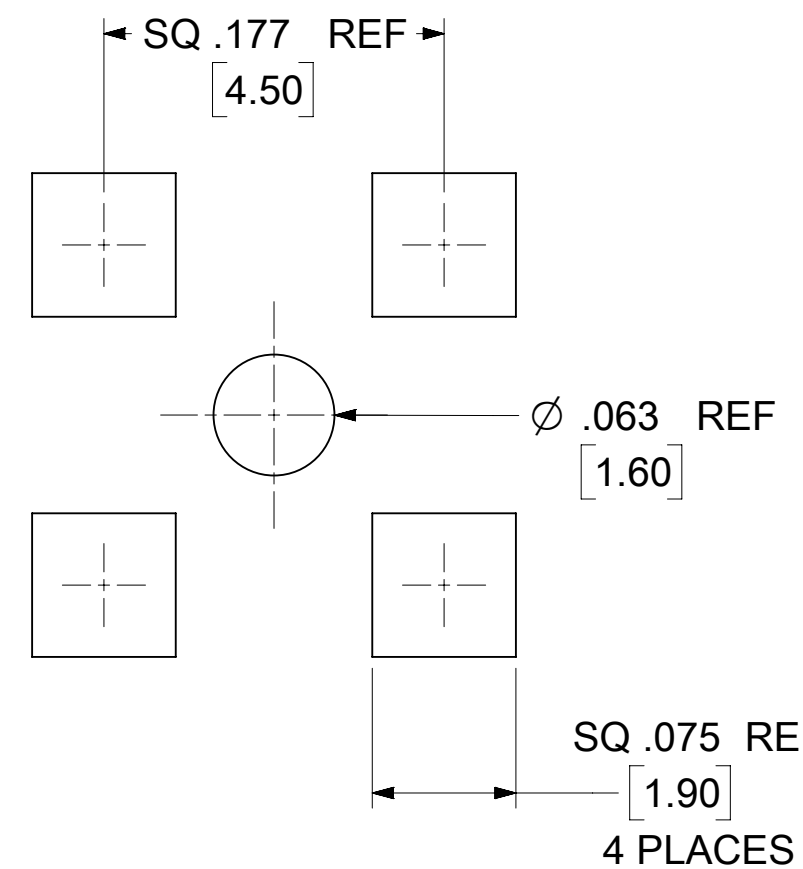
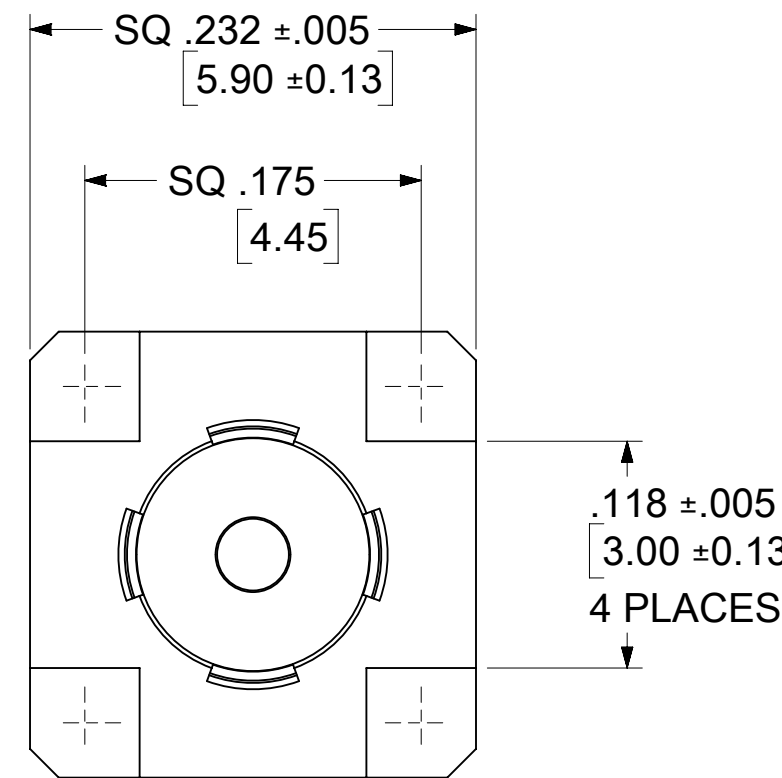
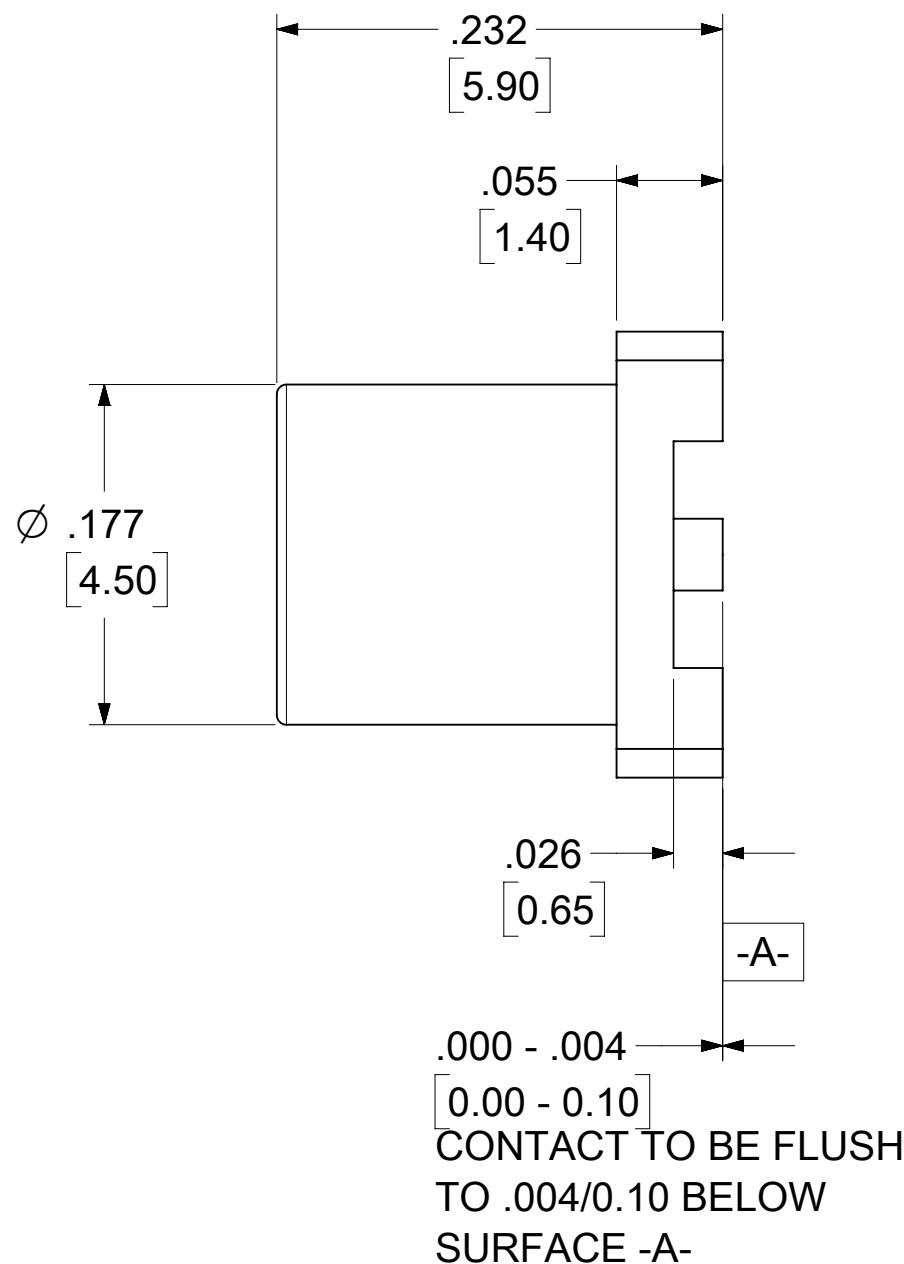
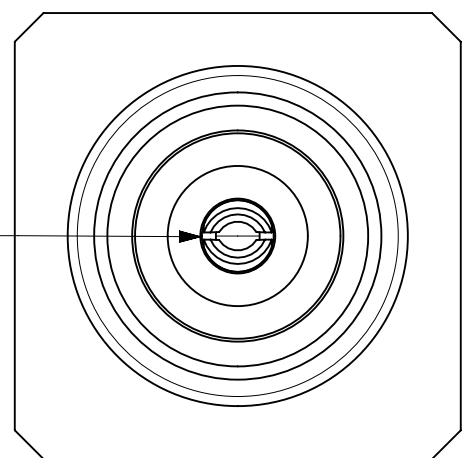
INSULATOR: TEFLON



NOTE:
73415-1696 & 73415-1697
WITH 4 SLOTS CONTACT



NOTE:
73415-1690 & 73415-1691 &
73415-1692 & 73415-1693 &
73415-1694 & 73415-1695 &
73415-1698 & 73415-1699 &
73366-6510
WITH 2 SLOTS CONTACT



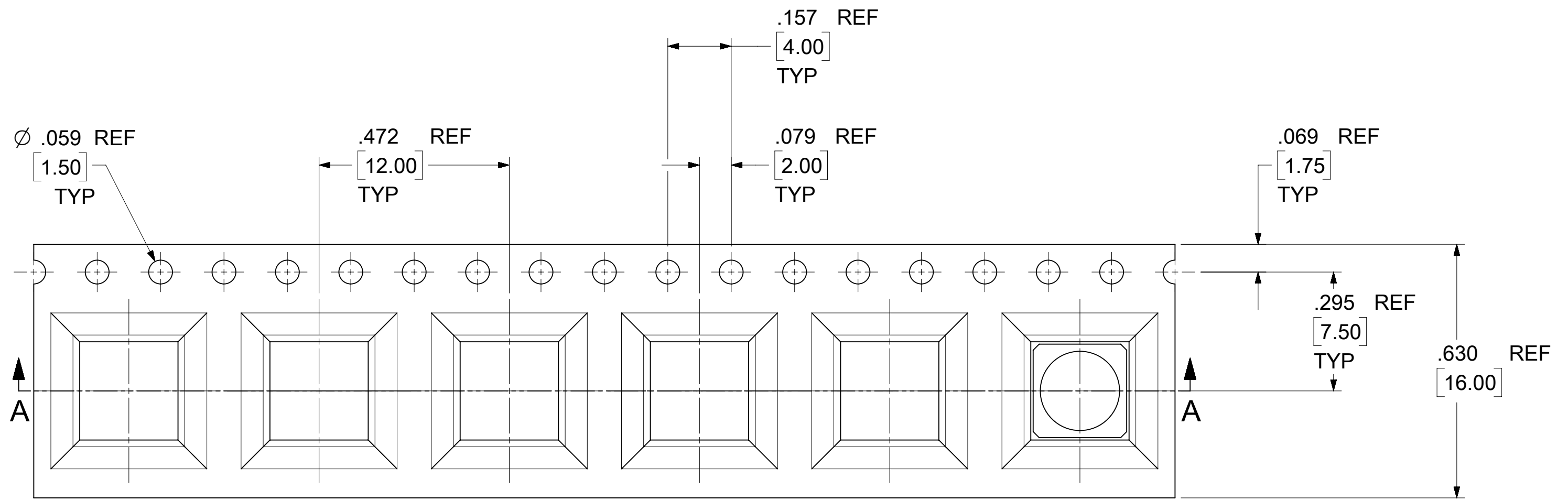
RECOMMENDED MOUNTING PATTERN

73366-6510	GOLD (1µ-in MIN)	2 SLOTS	73415-1691 TAPE & REEL WITH KAPTON	750 PCS PER REEL	SHEET 2, 3 & 4
73415-1699	GOLD (1µ-in MIN)	2 SLOTS	73416-1691 ONE PER BAG	1 PCS PER BAG	895420089
73415-1698	GOLD (30µ-in MIN)	2 SLOTS	73415-1698 TAPE & REEL WITH KAPTON	750 PCS PER REEL	SHEET 2, 3 & 4
73415-1697	GOLD (1µ-in MIN)	4 SLOTS	73415-1696 TAPE & REEL WITH KAPTON	750 PCS PER REEL	SHEET 2, 3 & 4
73415-1696	GOLD (1µ-in MIN)	4 SLOTS	73415-1696 BAG	500 PCS PER BAG	895420601
73415-1695	NICKEL	2 SLOTS	73415-1690 TAPE & REEL WITH KAPTON	750 PCS PER REEL	SHEET 2, 3 & 4
73415-1694	GOLD (1µ-in MIN)	2 SLOTS	73416-1691 SMALL TRAY	20 PCS PER TRAY	895420200
73415-1693	NICKEL	2 SLOTS	73415-1690 SMALL TRAY	20 PCS PER TRAY	895420200
73415-1692	GOLD (1µ-in MIN)	2 SLOTS	73415-1691 TAPE & REEL WITH KAPTON	750 PCS PER REEL	SHEET 2, 3 & 4
73415-1691	GOLD (1µ-in MIN)	2 SLOTS	73415-1691 BAG	500 PCS PER BAG	895420161
73415-1690	NICKEL	2 SLOTS	73415-1690 BAG	500 PCS PER BAG	895420161
PART NO.	BODY PLATING	CONTACT	DESCRIPTION	QUANTITY	PACKING SPEC

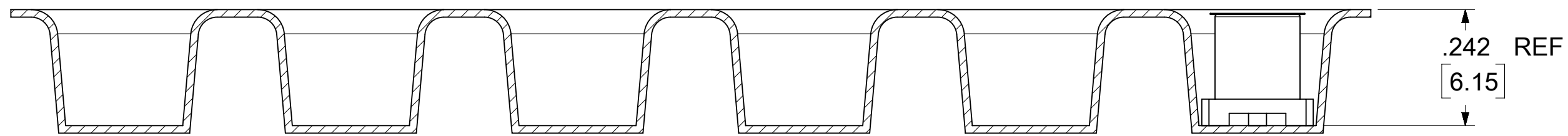
PS-89675-183	ELEC/MECH PERFORMANCE
SPECIFICATION	DESCRIPTION

THIS DRAWING CONTAINS INFORMATION THAT IS PROPRIETARY TO MOLEX ELECTRONIC TECHNOLOGIES, LLC AND SHOULD NOT BE USED WITHOUT WRITTEN PERMISSION

DIMENSION UNITS INCH/MM	SCALE NTS	CURRENT REV DESC: ADD PACKING SPEC PER EWR #15848-A	molex		
GENERAL TOLERANCES (UNLESS SPECIFIED)		EC NO: 750290			
4 PLACES	±	DRWN: RYEH	PRODUCT CUSTOMER DRAWING		
3 PLACES	±	2023/05/10			
2 PLACES	± 0.25	2023/05/24	SD-73415-169		
1 PLACE	±	2023/05/24			
0 PLACES	±	2007/02/08	MATERIAL NUMBER		
ANGULAR TOL	± 2.0 °	2007/02/09			
DRAFT WHERE APPLICABLE MUST REMAIN WITHIN DIMENSIONS	THIRD ANGLE PROJECTION	DRAWING	SHEET NUMBER		
		C-SIZE			
		SERIES	SEE TABLE		
		73415			

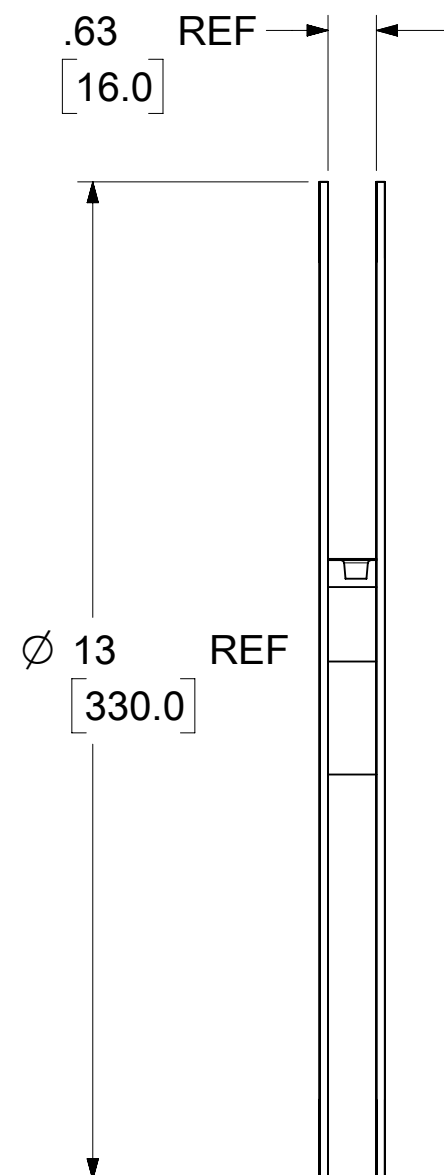


VIEWS FOR 73415-1692 & 73415-1695 & 73415-1697 & 73415-1698 & 73366-6510



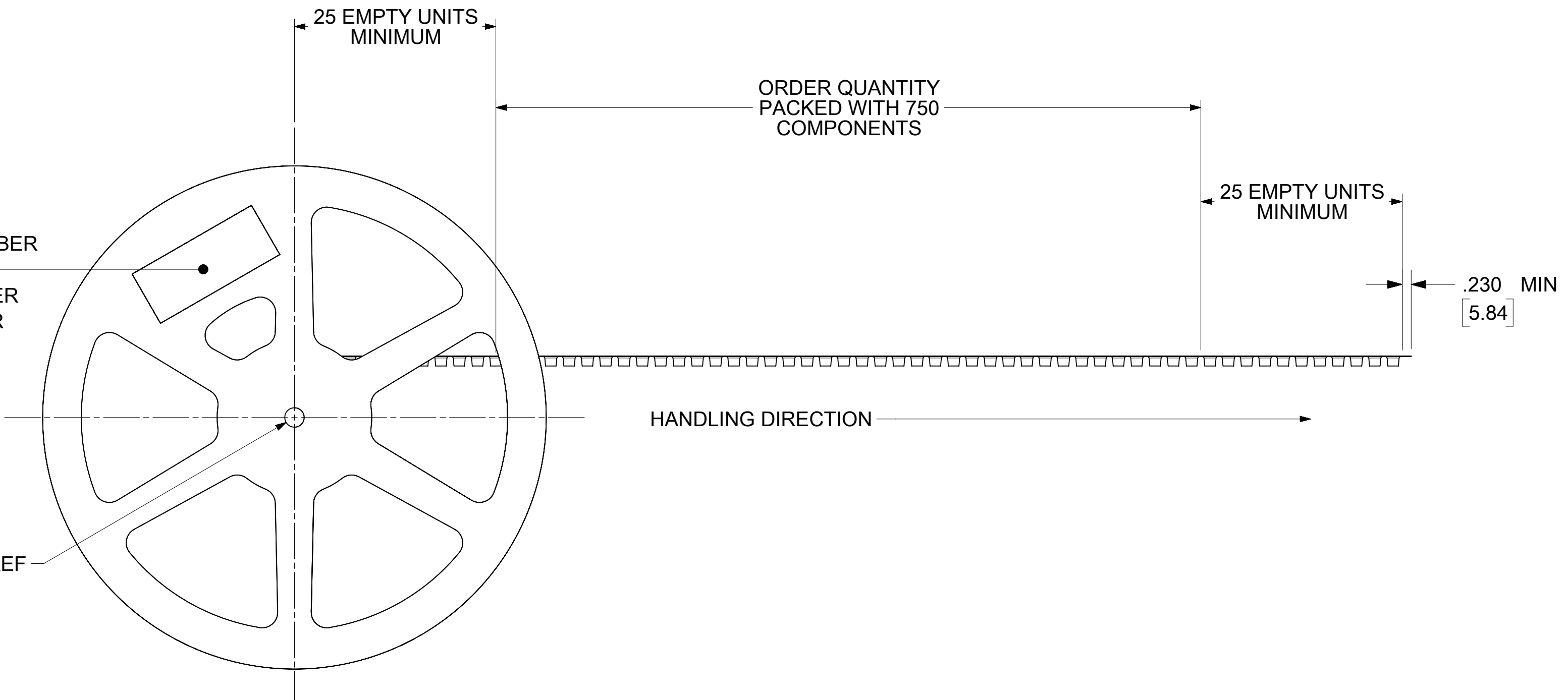
SECTION A-A

THIS DRAWING CONTAINS INFORMATION THAT IS PROPRIETARY TO MOLEX ELECTRONIC TECHNOLOGIES, LLC AND SHOULD NOT BE USED WITHOUT WRITTEN PERMISSION										
DIMENSION UNITS INCH/MM		SCALE NTS		CURRENT REV DESC: ADD PACKING SPEC PER EWR #15848-A			molex			
GENERAL TOLERANCES (UNLESS SPECIFIED)				EC NO: 750290						MCX PCB/SMT JACK 50 OHM MCX-J/PCB/SMT EWR-1148
4 PLACES		±	±	DRWN: RYEH 2023/05/10			PRODUCT CUSTOMER DRAWING			
3 PLACES		±	± 0.01	CHK'D: YCHENG 2023/05/24			DOCUMENT NUMBER			
2 PLACES		± 0.25	±	APPR: YCHENG 2023/05/24			SD-73415-169			
1 PLACE		±	±	INITIAL REVISION:			DOC TYPE			
0 PLACES		±	±	DRWN: YCHENG 2007/02/08			PSD			
ANGULAR TOL		± 2.0 °		APPR: MHUANG 2007/02/09			DOC PART			
DRAFT WHERE APPLICABLE MUST REMAIN WITHIN DIMENSIONS				THIRD ANGLE PROJECTION		DRAWING	SERIES	MATERIAL NUMBER	CUSTOMER	REVISION
						C-SIZE	73415	SEE TABLE	GENERAL MARKET	B7
DOCUMENT STATUS				P1		RELEASE DATE		2023/05/24 11:34:23		
SHEET NUMBER		2 OF 4								

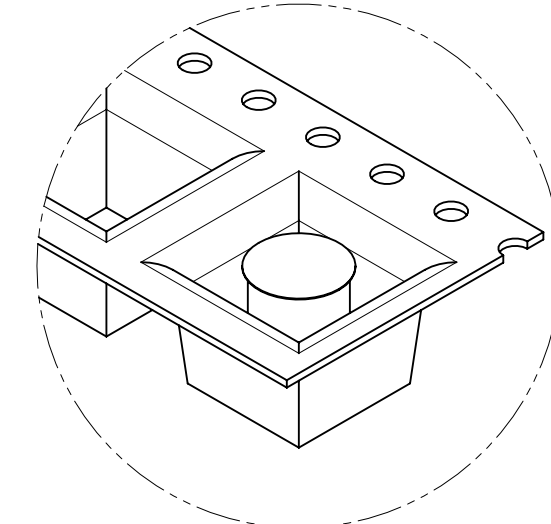
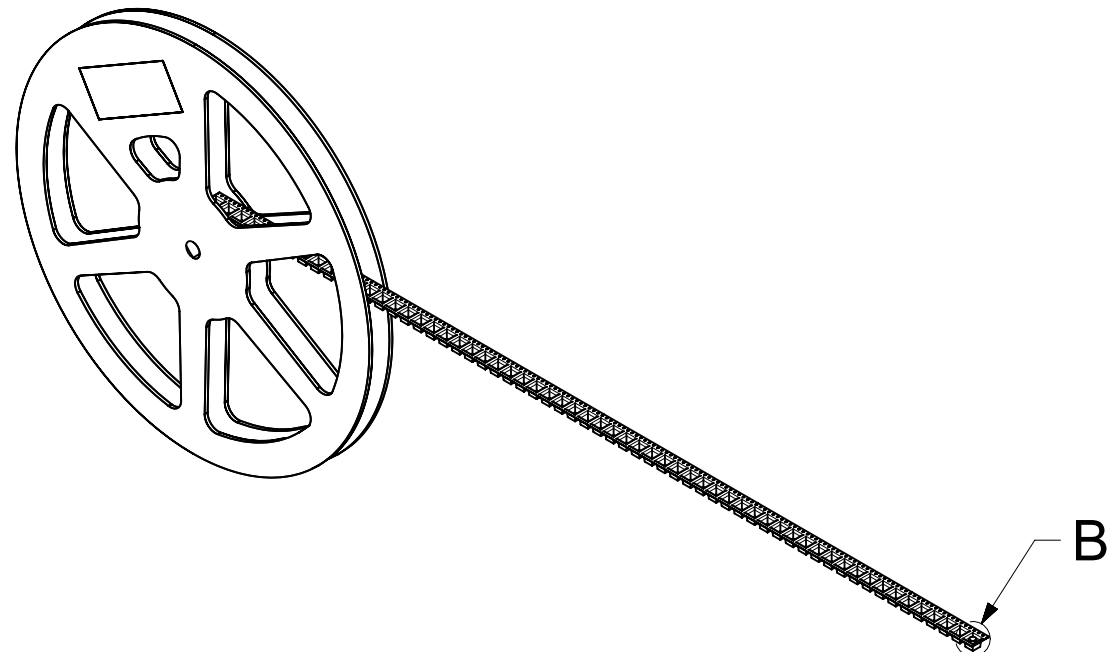


LABEL:
 -ORDER NUMBER
 -QUANTITY
 -PART NUMBER
 -LOT NUMBER

Ø .502 REF [12.75]



VIEWS FOR 73415-1692 & 73415-1695 & 73415-1697 & 73415-1698 & 73366-6510



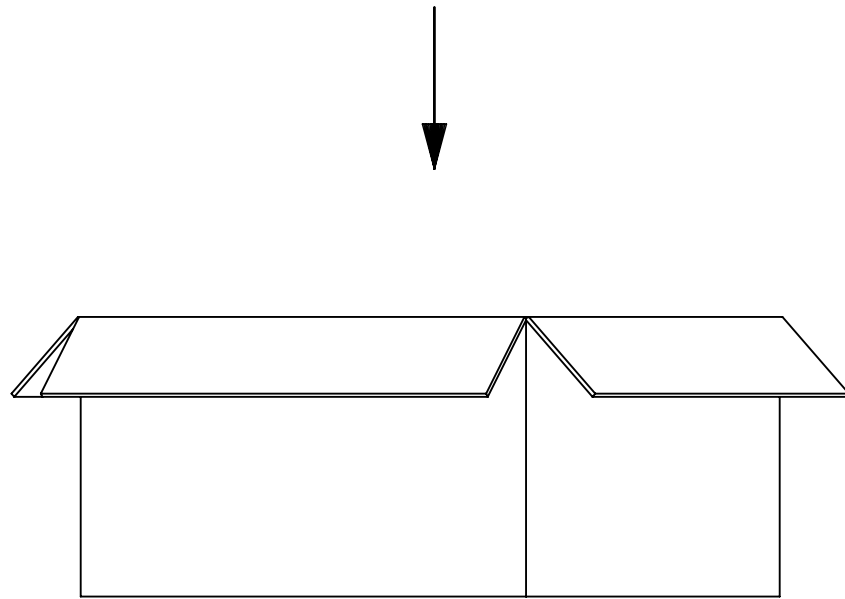
DETAIL B

THIS DRAWING CONTAINS INFORMATION THAT IS PROPRIETARY TO MOLEX ELECTRONIC TECHNOLOGIES, LLC AND SHOULD NOT BE USED WITHOUT WRITTEN PERMISSION										
DIMENSION UNITS INCH/MM		SCALE NTS		CURRENT REV DESC: ADD PACKING SPEC PER EWR #15848-A			molex			
GENERAL TOLERANCES (UNLESS SPECIFIED)				EC NO: 750290						
	MM	INCH		DRWN: RYEH 2023/05/10			MCX PCB/SMT JACK 50 OHM			
4 PLACES	±	±		CHK'D: YCHENG 2023/05/24			MCX-J/PCB/SMT EWR-1148			
3 PLACES	±	± 0.01		APPR: YCHENG 2023/05/24			PRODUCT CUSTOMER DRAWING			
2 PLACES	± 0.25	±		INITIAL REVISION:			DOCUMENT NUMBER			
1 PLACE	±	±		DRWN: YCHENG 2007/02/08			SD-73415-169			
0 PLACES	±	±		APPR: MHUANG 2007/02/09			PSD 001 B7			
ANGULAR TOL	± 2.0 °			THIRD ANGLE PROJECTION			MATERIAL NUMBER			
DRAFT WHERE APPLICABLE MUST REMAIN WITHIN DIMENSIONS				DRAWING		SERIES		CUSTOMER		SHEET NUMBER
				C-SIZE		73415		GENERAL MARKET		3 OF 4

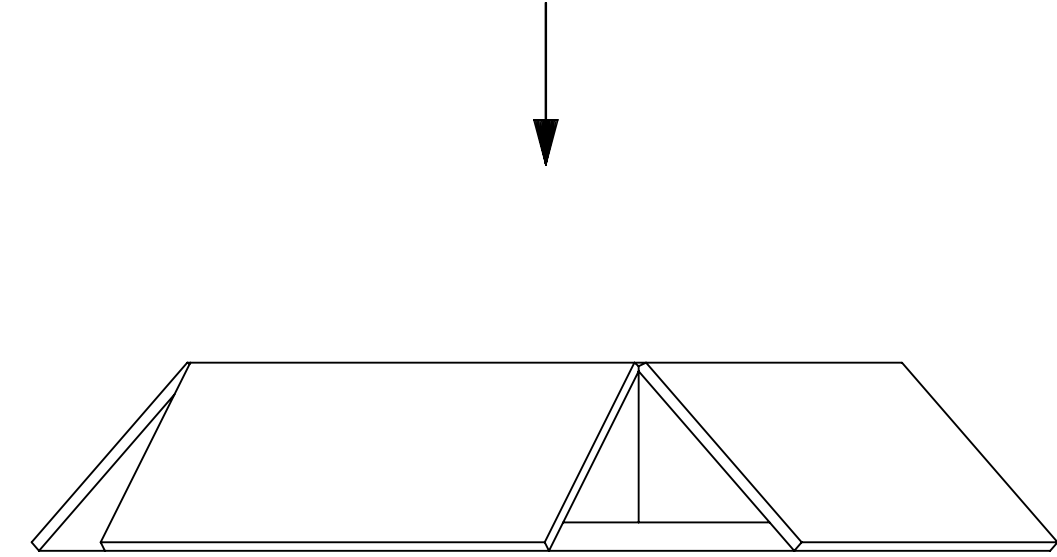
DOCUMENT STATUS	P1	RELEASE DATE	2023/05/24	11:34:23
-----------------	----	--------------	------------	----------

73415-1698	73415-1698 TAPE & REEL WITH KAPTON	750 PCS	6000 PCS
73415-1697	73415-1696 TAPE & REEL WITH KAPTON	750 PCS	6000 PCS
73415-1695	73415-1690 TAPE & REEL WITH KAPTON	750 PCS	6000 PCS
73415-1692	73415-1691 TAPE & REEL WITH KAPTON	750 PCS	6000 PCS
PART NO.	DESCRIPTION	QTY/REEL	QTY/CARTON

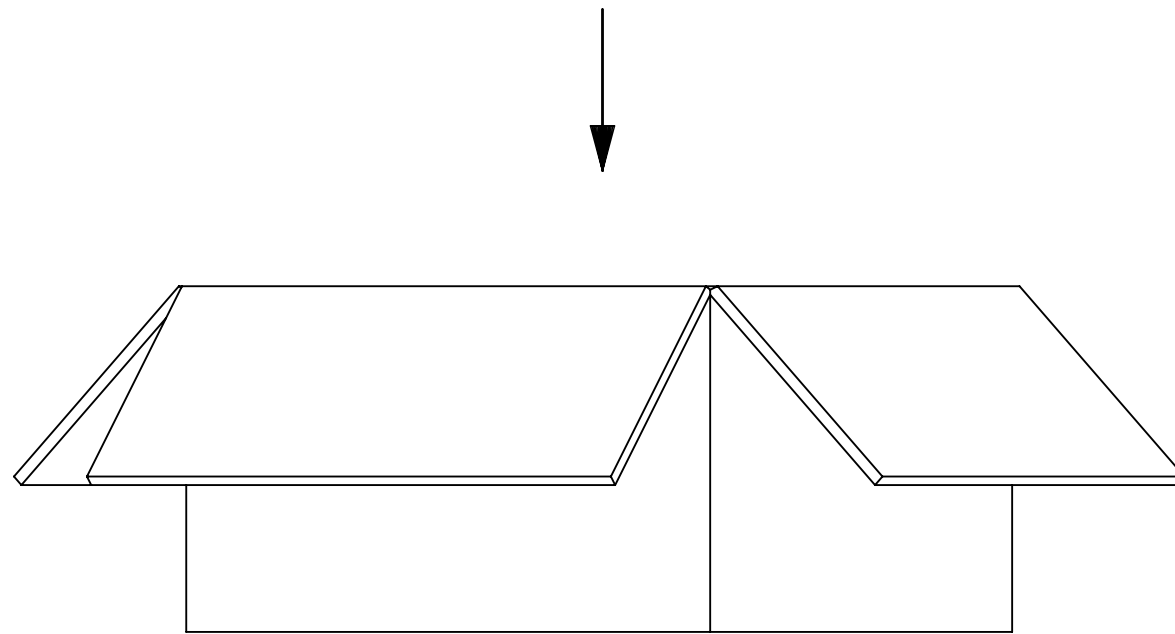
73366-6510	73415-1691 TAPE & REEL WITH KAPTON	750 PCS	750 PCS
PART NO.	DESCRIPTION	QTY/REEL	QTY/CARTON



8 REELS PER INNER CARTON BOX
(8 X 750 = 6000 PCS)



1 REEL PER CARTON BOX
(1 X 750 = 750 PCS)



8 REELS PER OUTER CARTON BOX
(8 X 750 = 6000 PCS)

THIS DRAWING CONTAINS INFORMATION THAT IS PROPRIETARY TO MOLEX ELECTRONIC TECHNOLOGIES, LLC AND SHOULD NOT BE USED WITHOUT WRITTEN PERMISSION

DIMENSION UNITS		SCALE		CURRENT REV DESC: ADD PACKING SPEC PER EWR #15848-A		molex				
INCH/MM		NTS								
GENERAL TOLERANCES (UNLESS SPECIFIED)				EC NO: 750290		MCX PCB/SMT JACK 50 OHM MCX-J/PCB/SMT EWR-1148				
		MM	INCH							
4 PLACES	±		±	DRWN: RYEH		PRODUCT CUSTOMER DRAWING				
3 PLACES	±		± 0.01	2023/05/10						
2 PLACES	±	0.25	±	CHK'D: YCHENG		DOCUMENT NUMBER				
1 PLACE	±		±	2023/05/24						SD-73415-169
0 PLACES	±		±	APPR: YCHENG		INITIAL REVISION:		PSD	001	B7
ANGULAR TOL		± 2.0 °		DRWN: YCHENG		2007/02/08		SHEET NUMBER		
DRAFT WHERE APPLICABLE MUST REMAIN WITHIN DIMENSIONS		THIRD ANGLE PROJECTION		APPR: MHUANG		2007/02/09		4 OF 4		
				DRAWING		SERIES		MATERIAL NUMBER		
				C-SIZE		73415		CUSTOMER		
								GENERAL MARKET		

DOCUMENT STATUS	P1	RELEASE DATE	2023/05/24	11:34:23
-----------------	----	--------------	------------	----------