

6

5

4

3

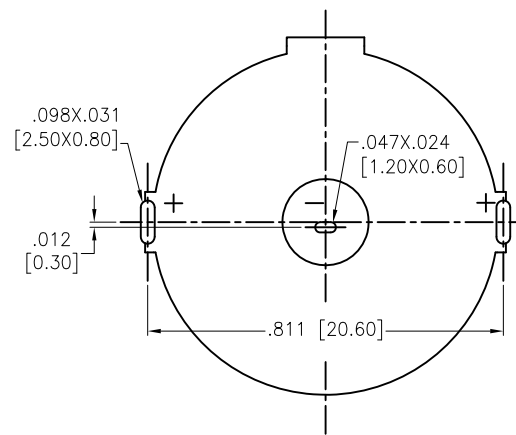
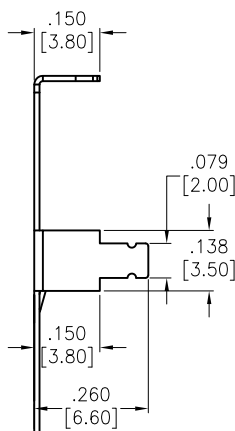
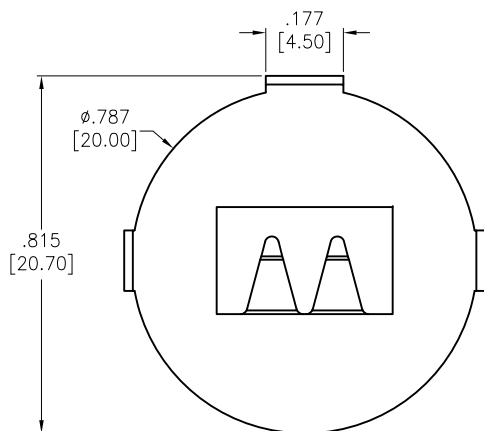
2

1

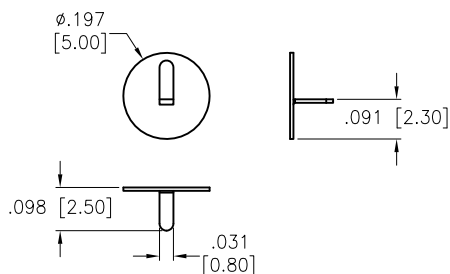
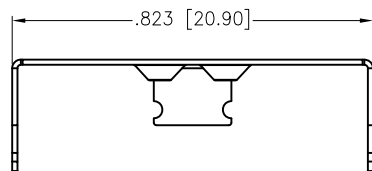
APPROVED: _____

DATE: _____ TITLE: _____

Rev	AWO #	Description	Date	Appr
-		RELEASED	10/19/18	



RECOMMENDED PCB LAYOUT



SPECIFICATIONS:

Terminal (+): T=0.30mm Phosphor Bronze, Nickel plated

Terminal (-): T=0.20mm Mn Steel, Nickel plated

Environmental:

Lead free, RoHS compliant



UNLESS OTHERWISE SPECIFIED
 ALL DIMENSIONS ARE INCHES [MM]
 TOLERANCES: EXCEPT AS NOTED

INCHES		HOLES	
.X	± .10	Ø.X	± .10
.XX	± .020	Ø.XX	± .015
.XXX	± .015	Ø.XXX	± .010

ADAM TECH
INTERCONNECTS

909 Rahway Avenue,
 Union, NJ 07083
 Phone: 908-687-5000
 Fax: 908-687-5710

APPROVALS		DATE
DRAWN	HR	10/19/18
CHECKED	DH	10/19/18
APPROVED		

TITLE		
BATTERY CLIP, CR2032		
SIZE	PART NO.	REV.
X	BH-105A-1	-
REF: S00136C	SCALE: NTS	SHEET 1 OF 1

6

5

4

3

2

1