



MHV Tee Adapter Female-Male-Female

RF Adapters Technical Data Sheet

PE9211

Configuration

- MHV Female Connector 1
- MHV Male Connector 2
- 50 Ohm
- Tee Body Geometry

Features

- MHV interface compliant with MIL-STD-348

Applications

- General Purpose Test

Description

Pasternack's PE9211 MHV Tee adapter female-male-female is part of our full line of RF components available for same-day shipping. Our MHV tee adapter has a female-male-female gender configuration. Our MHV tee connector operates to 50 MHz. Tee adapters (also called tee connectors) are three port devices that can be used to split or combine a signal. Unlike power dividers/combiners, however, they do not provide matched impedance at all ports.

RF adapters are often used to enable connections between two connector types that would otherwise not mate. Certain adapter configurations can also be used to protect connectors on expensive equipment where the number of connect/disconnect cycles is high. An RF, microwave or millimeter wave adapter is connected to the equipment, and the commonly changed connection is made with the adapter which can be easily replaced when it wears out after high usage; such adapters are referred to as connector savers. Pasternack also offers bulkhead, panel mount, hermetically sealed, reverse polarity, and isolated ground adapter varieties to serve all of your RF, microwave and millimeter wave needs.

Electrical Specifications

Description	Minimum	Typical	Maximum	Units
Frequency Range	DC		50	MHz
Operating Voltage (AC)			3,500	Vrms
Operating Voltage (DC)			5,000	Vdc
Dielectric Withstanding Voltage (AC)			5,000	Vrms
Insulation Resistance	5,000			MOhms

Electrical Specification Notes:
Values at 25°C, sea level.

Mechanical Specifications

Size

Length	1.281 in [32.54 mm]
Width	0.57 in [14.48 mm]
Height	1.082 in [27.48 mm]
Weight	0.042 lbs [19.05 g]

Click the following link (or enter part number in "SEARCH" on website) to obtain additional part information including price, inventory and certifications: [MHV Tee Adapter Female-Male-Female PE9211](#)



MHV Tee Adapter Female-Male-Female

RF Adapters Technical Data Sheet

PE9211

Description	Connector 1	Connector 2
Type	MHV Female	MHV Male
Polarity	Standard	Standard
Interface Specification	MIL-STD-348	MIL-STD-348

Material Specifications

Description	Connector 1		Connector 2	
	Material	Plating	Material	Plating
Type	MHV Female		MHV Male	
Contact	Beryllium Copper	Silver over Copper	Brass	Silver over Copper QQ-S-365
Insulation	PTFE		PTFE	
Outer Conductor	Brass	Nickel QQ-N-290		
Body			Brass	Nickel QQ-N-290
Coupling Nut			Brass	Nickel QQ-N-290

Environmental Specifications

Temperature

Operating Range -65 to +165 deg C

Compliance Certifications (see [product page](#) for current document)

Plotted and Other Data

Notes:

Click the following link (or enter part number in "SEARCH" on website) to obtain additional part information including price, inventory and certifications: [MHV Tee Adapter Female-Male-Female PE9211](#)



MHV Tee Adapter Female-Male-Female

RF Adapters Technical Data Sheet

PE9211

MHV Tee Adapter Female-Male-Female from Pasternack Enterprises has same day shipment for domestic and International orders. Our RF, microwave and millimeter wave products maintain a 99.4% availability and are part of the broadest selection in the industry.

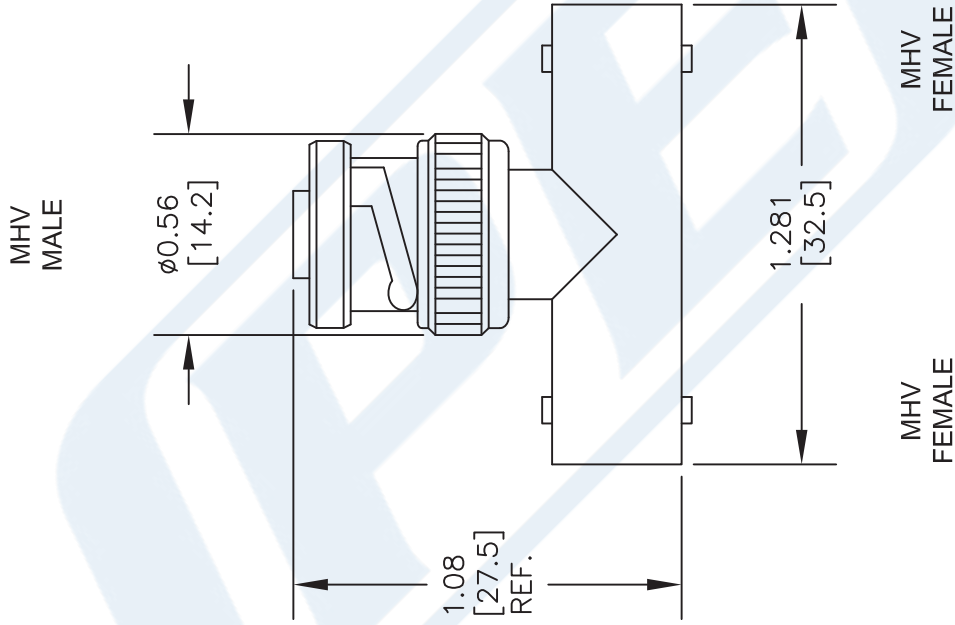
Click the following link (or enter part number in "SEARCH" on website) to obtain additional part information including price, inventory and certifications: [MHV Tee Adapter Female-Male-Female PE9211](https://www.pasternack.com/mhv-female-male-female-tee-adapter-pe9211-p.aspx)

URL: <https://www.pasternack.com/mhv-female-male-female-tee-adapter-pe9211-p.aspx>

The information contained in this document is accurate to the best of our knowledge and representative of the part described herein. It may be necessary to make modifications to the part and/or the documentation of the part, in order to implement improvements. Pasternack reserves the right to make such changes as required. Unless otherwise stated, all specifications are nominal. Pasternack does not make any representation or warranty regarding the suitability of the part described herein for any particular purpose, and Pasternack does not assume any liability arising out of the use of any part or documentation.

PE9211 CAD Drawing

MHV Tee Adapter Female-Male-Female



STANDARD TOLERANCES

.X ±0.2
 .XX ±0.1
 .XXX ±0.05

*STANDARD TOLERANCES APPLY ONLY TO DIMENSIONS IN INCHES

PE PASTERNAK®
 THE ENGINEER'S RF SOURCE
 Pasternack Enterprises, Inc.
 P.O. Box 16759 | Irvine | CA | 92623
 Phone: (949) 261-1920 | Fax: (949) 261-7451
 Website: www.pasternack.com | E-Mail: sales@pasternack.com

DWG TITLE

PE9211

FSCM NO. 53919

NOTES:
 1. UNLESS OTHERWISE SPECIFIED ALL DIMENSIONS ARE NOMINAL.
 2. ALL SPECIFICATIONS ARE SUBJECT TO CHANGE WITHOUT NOTICE AT ANY TIME.
 3. DIMENSIONS ARE IN INCHES [mm].

CAD FILE 102716

SCALE N/A

SIZE A

41742