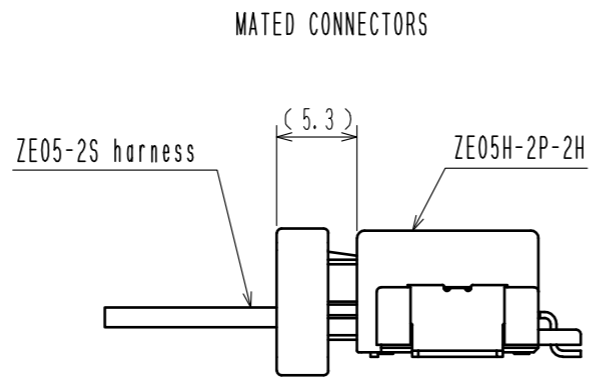
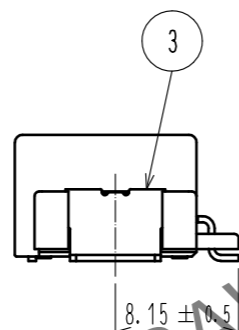
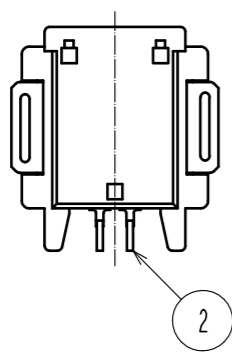
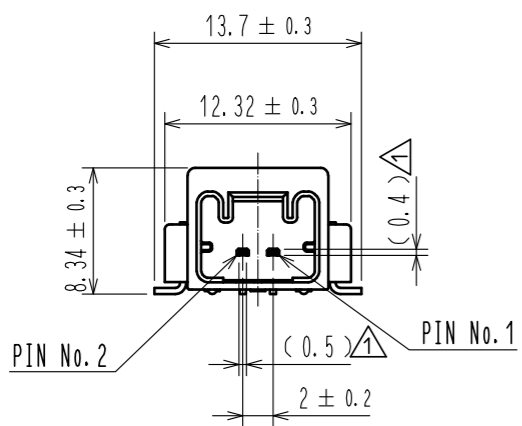
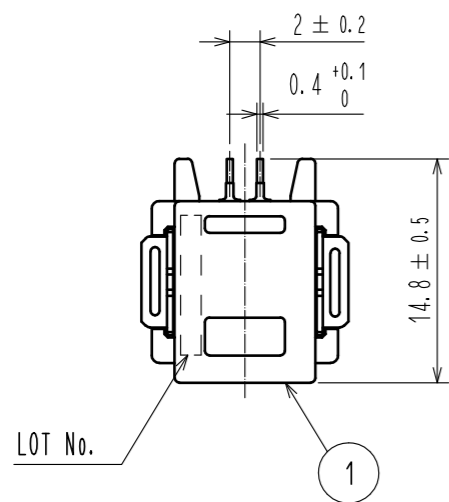
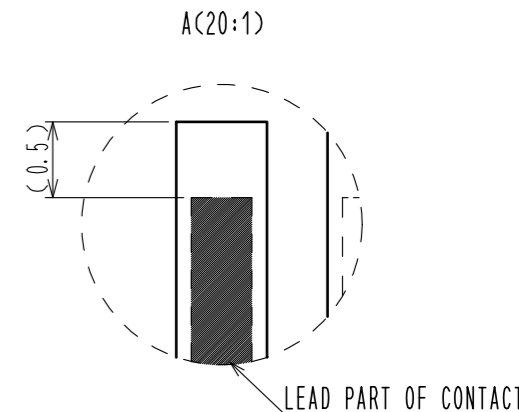
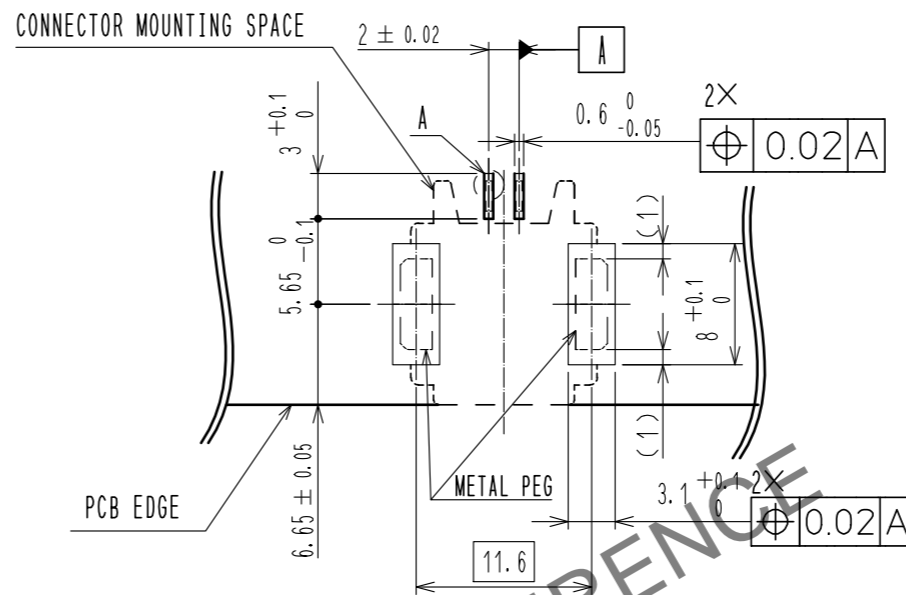


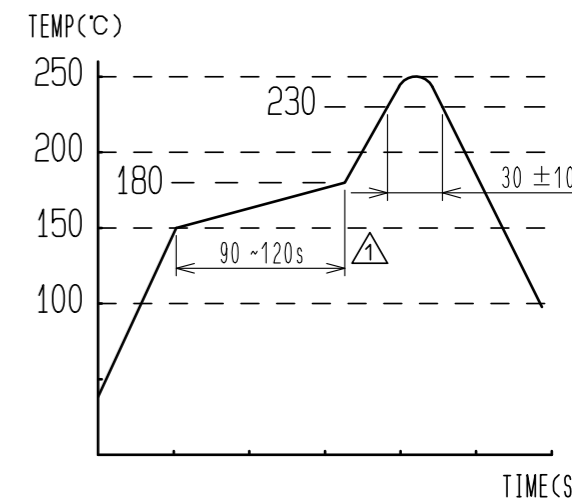
ELV. ROHS COMPLIANT



RECOMMENDED PCB PATTERN



- NOTE 1. RECOMMENDED TEMPERATURE PROFILE FOR REFLOW (REFER TO RIGHT FIG.) USED REFLOW SYSTEM
- : IR IN THE AIR OR NITROGEN
 - NO. OF CYCLES : 2 MAX Δ
 - PEAK : 250°C
 - OVER 230°C : 20~40s
 - PREHEAT : 150~180°C 90~120s Δ
2. TEMPERATURE FOR SOLDERING IRON : 280~300°C WITHIN 2s
3. CO-PLANARITY SHALL BE 0.1mm MAX.
4. RECOMMENDED PCB THICKNESS IS 1.6mm.
5. RECOMMENDED SOLDER THICKNESS IS 0.15mm.



2	BRASS	SURFACE PLATING : TIN PLATING 1μm min	5	POLYESTER	
		UNDER PLATING : NICKEL 1μm min	4	POLYSTYRENE	
1	PA	BLACK UL94V-0	3	BRASS	SURFACE PLATING : TIN PLATING 1μm min
					UNDER PLATING : NICKEL 1μm min
NO.	MATERIAL	FINISH . REMARKS	NO.	MATERIAL	FINISH . REMARKS
UNITS	mm	SCALE	2 : 1	COUNT	5
DESCRIPTION OF REVISIONS			DESIGNED	YONGMUN LEE	20181119
DIS-T-00003979			CHECKED	HH. TSUKUMO	
APPROVED : HK. UMEHARA 20180424			DRAWING NO. EDC-373528-00-00		
CHECKED : AH. EDASHIGE 20180424			PART NO. ZE05H-2P-2H		
DESIGNED : YONGMUN LEE 20180424			CODE NO. CL752-2109-0-00		
DRAWN : SK. HANAWA 20180424			1/2		

HRS DRAWING FOR REFERENCE

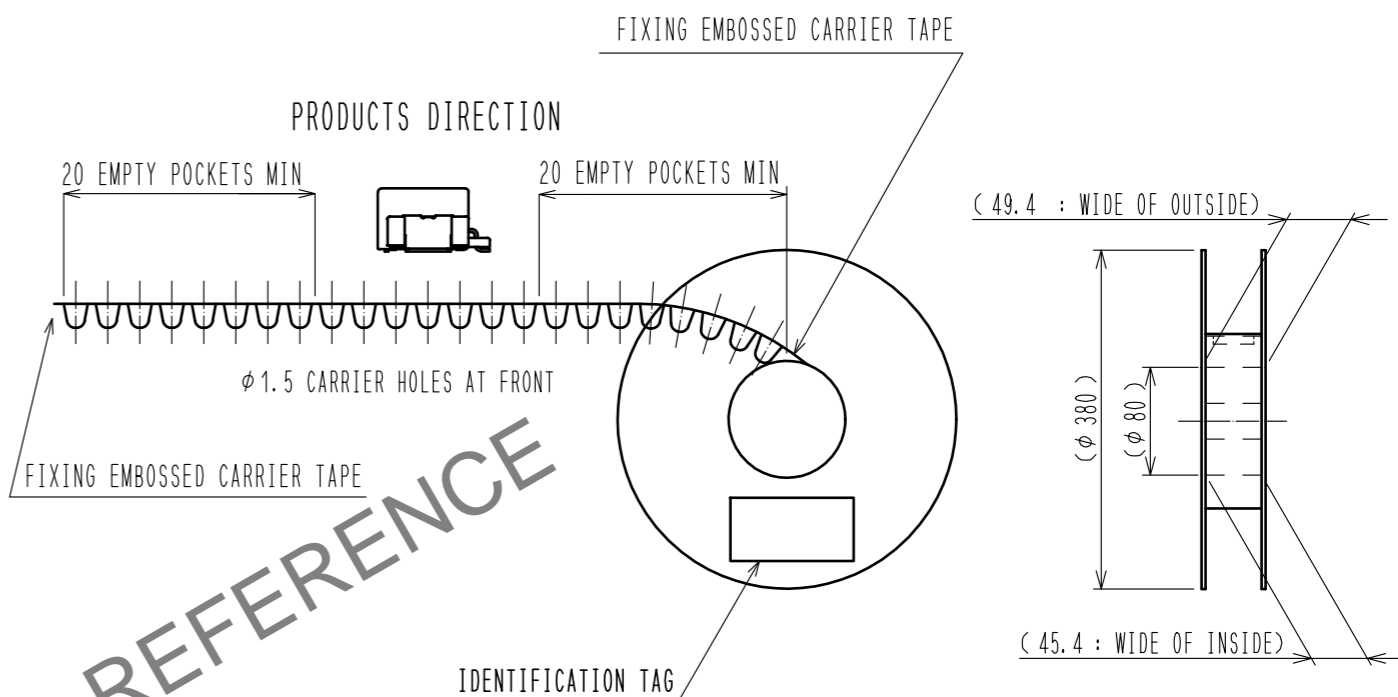
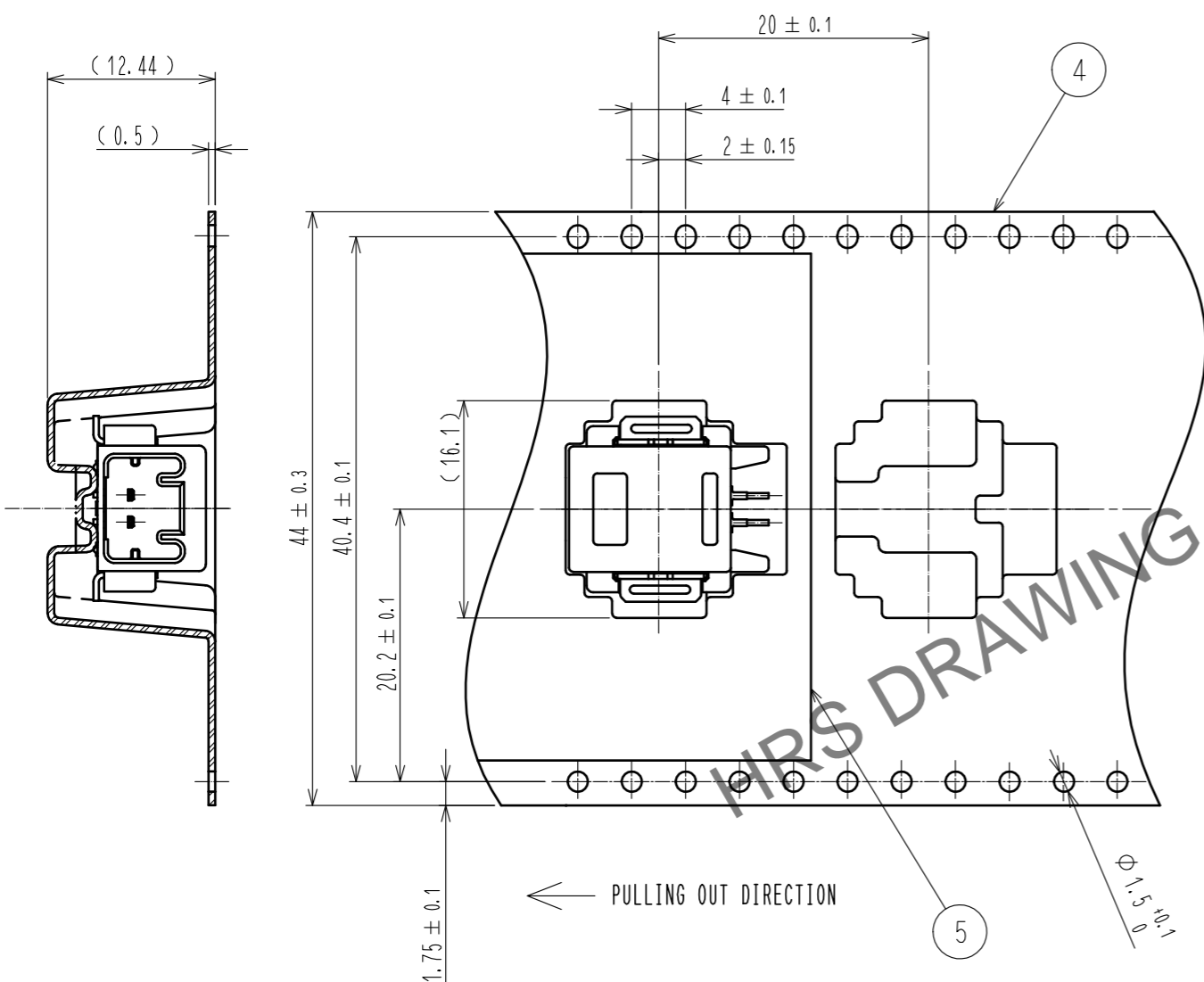
Dec.1.2023 Copyright 2023 HIROSE ELECTRIC CO., LTD. All Rights Reserved. In case of consideration for using Automotive equipment / device which demand high reliability, kindly contact our sales window correspondents.

Dec.1.2023 Copyright 2023 HIROSE ELECTRIC CO., LTD. All Rights Reserved.
 In case of consideration for using Automotive equipment / device which demand high reliability, kindly contact our sales window correspondents.

PACKING STYLE

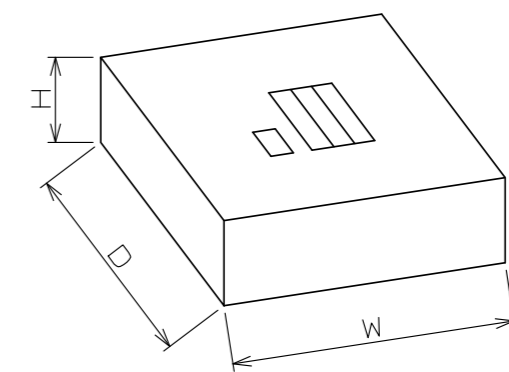
REEL DIMENSION (FREE)

PACKING STYLE DRAWING



CARDBOARD DIMENSION (FREE)

W=(405) (mm)
 D=(405) (mm)
 H=(51) (mm)



HRS DRAWING FOR REFERENCE

300 PCS/REEL

HRS	DRAWING NO.	EDC-373528-00-00	2/2
	PART NO.	ZE05H-2P-2H	
	CODE NO.	CL752-2109-0-00	