



# SHV Jack Bulkhead Mount Hermetically Sealed Connector Solder Attachment Solder Cup Terminal, .350 inch D Hole

## RF Connectors Technical Data Sheet

PE4500

### Configuration

- SHV Jack Connector
- MIL-STD-348
- 50 Ohms
- Straight Body Geometry
- Connector Interface Types: Solder Cup
- Bulkhead

### Features

- Silver Plated Contact
- Contact plating according to QQ-S-365
- Hermetically Sealed

### Applications

- General Purpose Test
- Rack and Panel Mount Applications

### Description

Pasternack's PE4500 SHV jack bulkhead hermetically sealed connector with Solder Cup terminal (.350 inch D hole) is part of our full line of RF components available for same-day shipping. This SHV bulkhead connector allows designers to create external connections on their product enclosures, and can be used in a variety of other rack mount and panel mount applications.

Our SHV jack bulkhead connector PE4500 datasheet specifications and drawing with dimensions are shown below in this PDF. Pasternack's broad catalog of RF, microwave and millimeter wave connectors allows designers to configure and customize their signal connections however they like. Whether the need is to provide an I/O for a board design, or simply create a custom cable assembly configuration, Pasternack has the right connector for the job. Pasternack can also expertly build your custom cable assemblies for you and ship same-day.

### Electrical Specifications

Description	Minimum	Typical	Maximum	Units
Dielectric Withstanding Voltage (AC)			5,000	Vrms

### Mechanical Specifications

Size	
Length	2.268 in [57.61 mm]
Width/Dia.	0.598 in [15.19 mm]
Weight	0.044 lbs [19.96 g]

Click the following link (or enter part number in "SEARCH" on website) to obtain additional part information including price, inventory and certifications: [SHV Jack Bulkhead Mount Hermetically Sealed Connector Solder Attachment Solder Cup Terminal, .350 inch D Hole PE4500](#)



SHV Jack Bulkhead Mount Hermetically Sealed Connector  
Solder Attachment Solder Cup Terminal, .350 inch D Hole

RF Connectors  
Technical Data Sheet

PE4500

**Material Specifications**

Description	Material	Plating
Contact		Silver QQ-S-365
Insulation	PTFE	
Body	Brass	Nickel QQ-N-290

**Environmental Specifications**

**Compliance Certifications** (see [product page](#) for current document)

**Plotted and Other Data**

Notes:

SHV Jack Bulkhead Mount Hermetically Sealed Connector Solder Attachment Solder Cup Terminal, .350 inch D Hole from Pasternack Enterprises has same day shipment for domestic and International orders. Our RF, microwave and millimeter wave products maintain a 99.4% availability and are part of the broadest selection in the industry.

Click the following link (or enter part number in "SEARCH" on website) to obtain additional part information including price, inventory and certifications: [SHV Jack Bulkhead Mount Hermetically Sealed Connector Solder Attachment Solder Cup Terminal, .350 inch D Hole PE4500](#)

URL: <https://www.pasternack.com/shv-jack-standard-solder-cup-terminal-connector-pe4500-p.aspx>

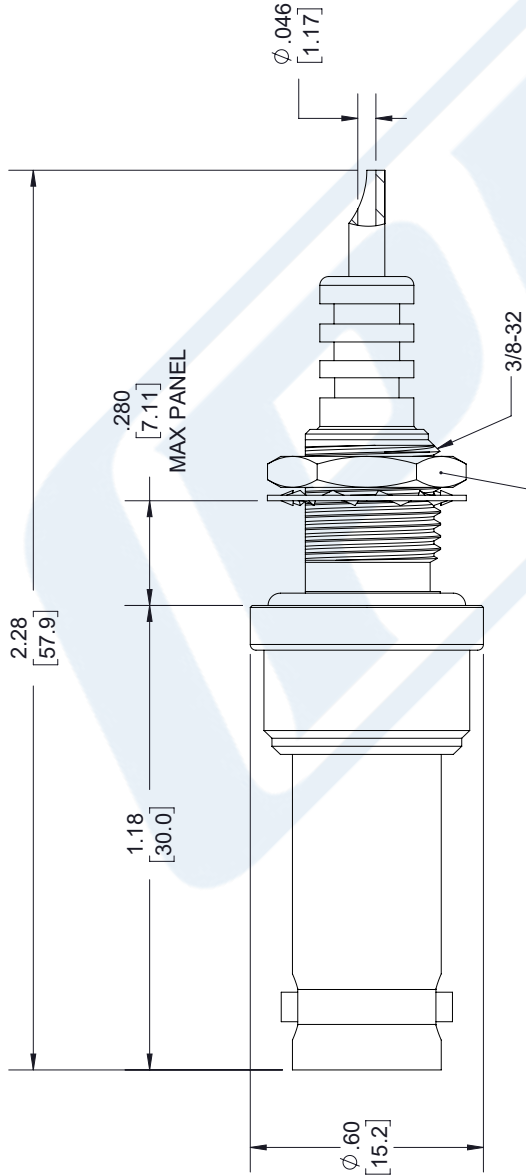
The information contained in this document is accurate to the best of our knowledge and representative of the part described herein. It may be necessary to make modifications to the part and/or the documentation of the part, in order to implement improvements. Pasternack reserves the right to make such changes as required. Unless otherwise stated, all specifications are nominal. Pasternack does not make any representation or warranty regarding the suitability of the part described herein for any particular purpose, and Pasternack does not assume any liability arising out of the use of any part or documentation.

# PE4500 CAD Drawing

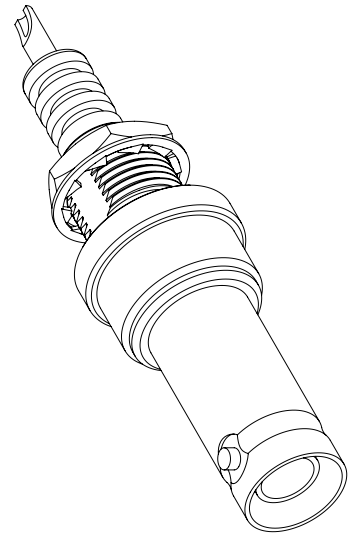
## SHV Jack Bulkhead Mount Hermetically Sealed Connector Solder Attachment Solder Cup Terminal, .350 inch D Hole

### REVISIONS

REV.	DESCRIPTION	DATE	APPROVED
A	PCR PE4500 20200924	11/13/2020	SRAUTJUS



MOUNTING HOLE



UNLESS OTHERWISE SPECIFIED  
LEADING DIMENSIONS ARE INCHES  
DIMENSIONS IN [ ] ARE MILLIMETERS

TOLERANCES:  
 .X = ±.2 [5.08] FRACTIONS ± 1/32  
 .XX = ±.02 [.51] ANGLES ± 1°  
 .XXX = ±.005 [.13]  
 CABLE LENGTH (L) TOLERANCES:  
 L ≤ 12 [305] = +1 [25] / -0  
 12 [305] < L ≤ 60 [1524] = +2 [51] / -0  
 60 [1524] < L ≤ 120 [3048] = +4 [102] / -0  
 120 [3048] < L ≤ 300 [7620] = +6 [152] / -0  
 300 [7620] < L = +5%L / -0

ALL DIMENSIONS SHOWN  
ARE FOR REFERENCE ONLY.

**PE PASTERNAK**  
an INFINITE brand

Pasternack Enterprises, Inc.  
P.O. Box 16759, Irvine, CA 92623.  
Phone: 1.949.261.1920 | 1.866.727.8376  
Fax: 1.949.261.7451  
Website: www.pasternack.com  
E-mail: sales@pasternack.com

THIRD-ANGLE PROJECTION

THE INFORMATION AND DESIGN INFORMATION IS THE PROPERTY OF PASTERNAK CORPORATION. ALL RIGHTS RESERVED.

SHEET 1 OF 1  
SCALE N/A

REV A

ITEM NO. PE4500

CAGE CODE A 53919 DRAWN BY SLI