



UMCX Jack Connector Solder Attachment Surface Mount PCB

RF Connectors Technical Data Sheet

PE44594

Configuration

- UMCX Jack Connector
- 50 Ohms
- Straight Body Geometry
- Surface Mount Interface Type
- Solder Attachment

Features

- Max. Operating Frequency 3 GHz
- Good VSWR of 1.3:1
- Gold Plated Brass Contact

Applications

- General Purpose Test
- Space Saving for PCB Applications

Description

Pasternack's PE44594 UMCX jack connector with solder attachment for surface mount PCB is part of our full line of RF components available for same-day shipping. Our UMCX jack connector operates up to a maximum frequency of 3 GHz and offers good VSWR of 1.3:1.

Our UMCX jack connector PE44594 datasheet specifications and drawing with dimensions are shown below in this PDF. Pasternack's broad catalog of RF, microwave and millimeter wave connectors allows designers to configure and customize their signal connections however they like. Whether the need is to provide an I/O for a board design, or simply create a custom cable assembly configuration, Pasternack has the right connector for the job. Pasternack can also expertly build your custom cable assemblies for you and ship same-day.

Electrical Specifications

Description	Minimum	Typical	Maximum	Units
Frequency Range	DC		3	GHz
VSWR			1.3:1	
Operating Voltage (AC)			60	Vrms

Mechanical Specifications

Size

Length	0.118 in [3 mm]
Width/Dia.	0.122 in [3.10 mm]
Height	0.049 in [1.24 mm]
Weight	0.001 lbs [0.45 g]

Click the following link (or enter part number in "SEARCH" on website) to obtain additional part information including price, inventory and certifications: [UMCX Jack Connector Solder Attachment Surface Mount PCB PE44594](#)



UMCX Jack Connector Solder Attachment Surface Mount PCB

RF Connectors Technical Data Sheet

PE44594

Material Specifications

Description	Material	Plating
Contact	Brass	Gold
Insulation	LCP	
Body	Phosphor Bronze	Gold

Environmental Specifications

Temperature

Operating Range

-40 to +90 deg C

Compliance Certifications (see [product page](#) for current document)

Plotted and Other Data

Notes:

UMCX Jack Connector Solder Attachment Surface Mount PCB from Pasternack Enterprises has same day shipment for domestic and International orders. Our RF, microwave and millimeter wave products maintain a 99% availability and are part of the broadest selection in the industry.

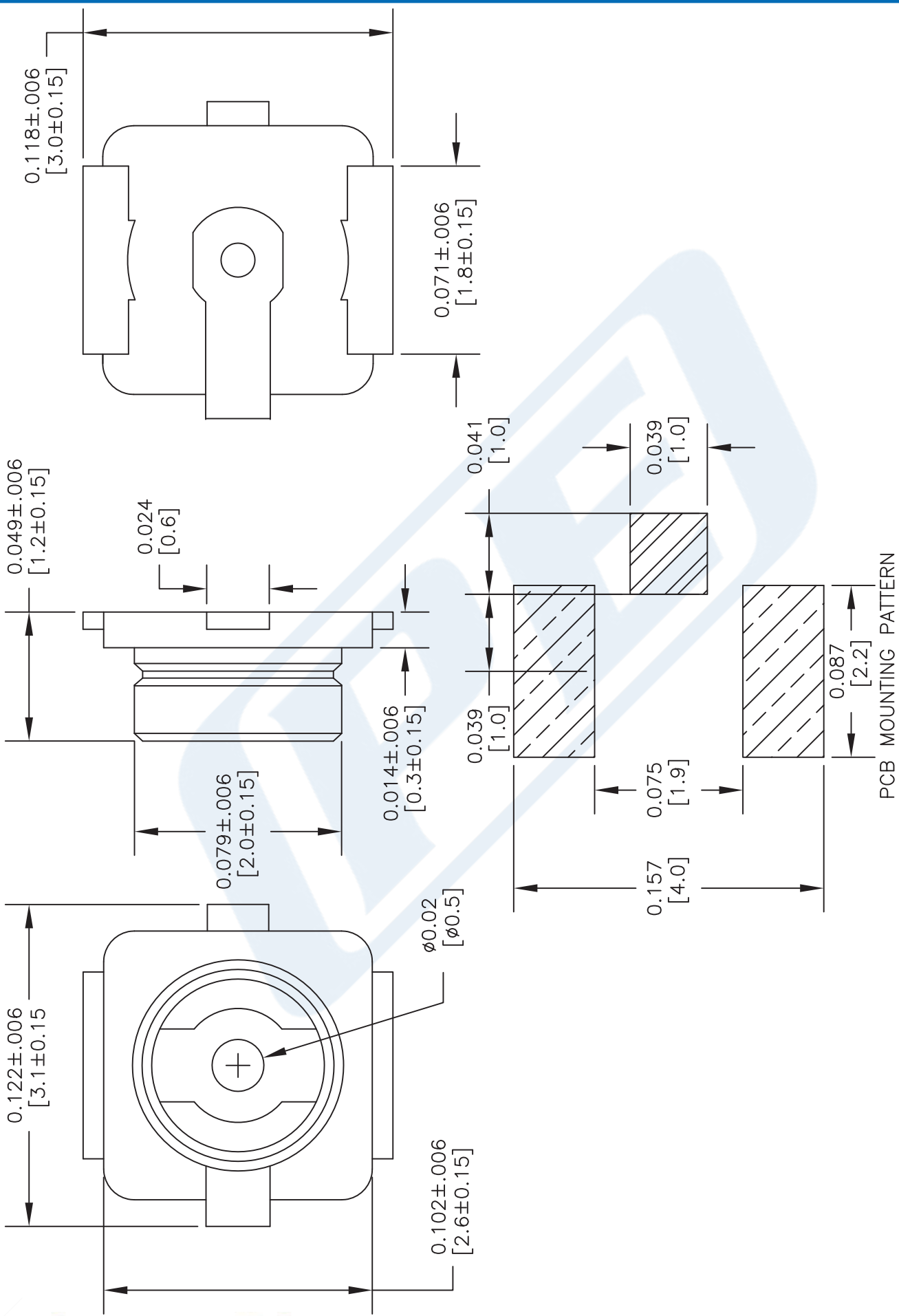
Click the following link (or enter part number in "SEARCH" on website) to obtain additional part information including price, inventory and certifications: [UMCX Jack Connector Solder Attachment Surface Mount PCB PE44594](#)

URL: <https://www.pasternack.com/umcx-jack-surface-mount-pcb-connector-pe44594-p.aspx>

The information contained in this document is accurate to the best of our knowledge and representative of the part described herein. It may be necessary to make modifications to the part and/or the documentation of the part, in order to implement improvements. Pasternack reserves the right to make such changes as required. Unless otherwise stated, all specifications are nominal. Pasternack does not make any representation or warranty regarding the suitability of the part described herein for any particular purpose, and Pasternack does not assume any liability arising out of the use of any part or documentation.

PE44594 CAD Drawing

UMCX Jack Connector Solder Attachment Surface Mount PCB



DWG TITLE

PE44594

NOTES:
 1. UNLESS OTHERWISE SPECIFIED ALL DIMENSIONS ARE NOMINAL.
 2. ALL SPECIFICATIONS ARE SUBJECT TO CHANGE WITHOUT NOTICE AT ANY TIME.
 3. DIMENSIONS ARE IN INCHES [mm].

PE PASTERNAK
 THE ENGINEER'S RF SOURCE
 Pasternack Enterprises, Inc.
 P.O. Box 16759 | Irvine | CA | 92623
 Phone: (949) 261-1920 | Fax: (949) 261-7451
 Website: www.pasternack.com | E-Mail: sales@pasternack.com

FSCM NO. 53919

CAD FILE 070314

SCALE N/A

SIZE A

150