



## BNC Female Bulkhead Mount Connector Solder Attachment Solder Cup Terminal, .410 inch D Hole

### RF Connectors Technical Data Sheet

PE4014

#### Configuration

- BNC Female Connector
- MIL-C-39012
- 50 Ohms
- Straight Body Geometry
- Solder Cup Interface Type
- Solder Attachment
- Bulkhead

#### Features

- Gold Plated Brass Contact
- 3 µin minimum contact plating

#### Applications

- General Purpose Test
- Rack and Panel Mount Applications

#### Description

Pasternack's PE4014 BNC female bulkhead mount connector solder attachment solder cup terminal, .410 inch D hole is part of our full line of RF components available for same-day shipping. This BNC bulkhead connector allows designers to create external connections on their product enclosures, and can be used in a variety of other rack mount and panel mount applications.

Our BNC female bulkhead connector PE4014 datasheet specifications and drawing with dimensions are shown below in this PDF. Pasternack's broad catalog of RF, microwave and millimeter wave connectors allows designers to configure and customize their signal connections however they like. Whether the need is to provide an I/O for a board design, or simply create a custom cable assembly configuration, Pasternack has the right connector for the job. Pasternack can also expertly build your custom cable connector assemblies for you and ship same-day.

#### Mechanical Specifications

##### Size

Length	1.063 in [27 mm]
Width/Dia.	0.5 in [12.70 mm]
Weight	0.018 lbs [8.16 g]

##### Material Specifications

Description	Material	Plating
Contact	Brass	Gold 3 µin minimum
Insulation	PTFE	
Body	Brass	Nickel 70 µin minimum

Click the following link (or enter part number in "SEARCH" on website) to obtain additional part information including price, inventory and certifications: [BNC Female Bulkhead Mount Connector Solder Attachment Solder Cup Terminal, .410 inch D Hole PE4014](#)



BNC Female Bulkhead Mount Connector Solder  
Attachment Solder Cup Terminal, .410 inch D Hole

RF Connectors Technical Data Sheet

PE4014

**Compliance Certifications** (see [product page](#) for current document)

**Plotted and Other Data**

Notes:

BNC Female Bulkhead Mount Connector Solder Attachment Solder Cup Terminal, .410 inch D Hole from Pasternack Enterprises has same day shipment for domestic and International orders. Our RF, microwave and millimeter wave products maintain a 99% availability and are part of the broadest selection in the industry.

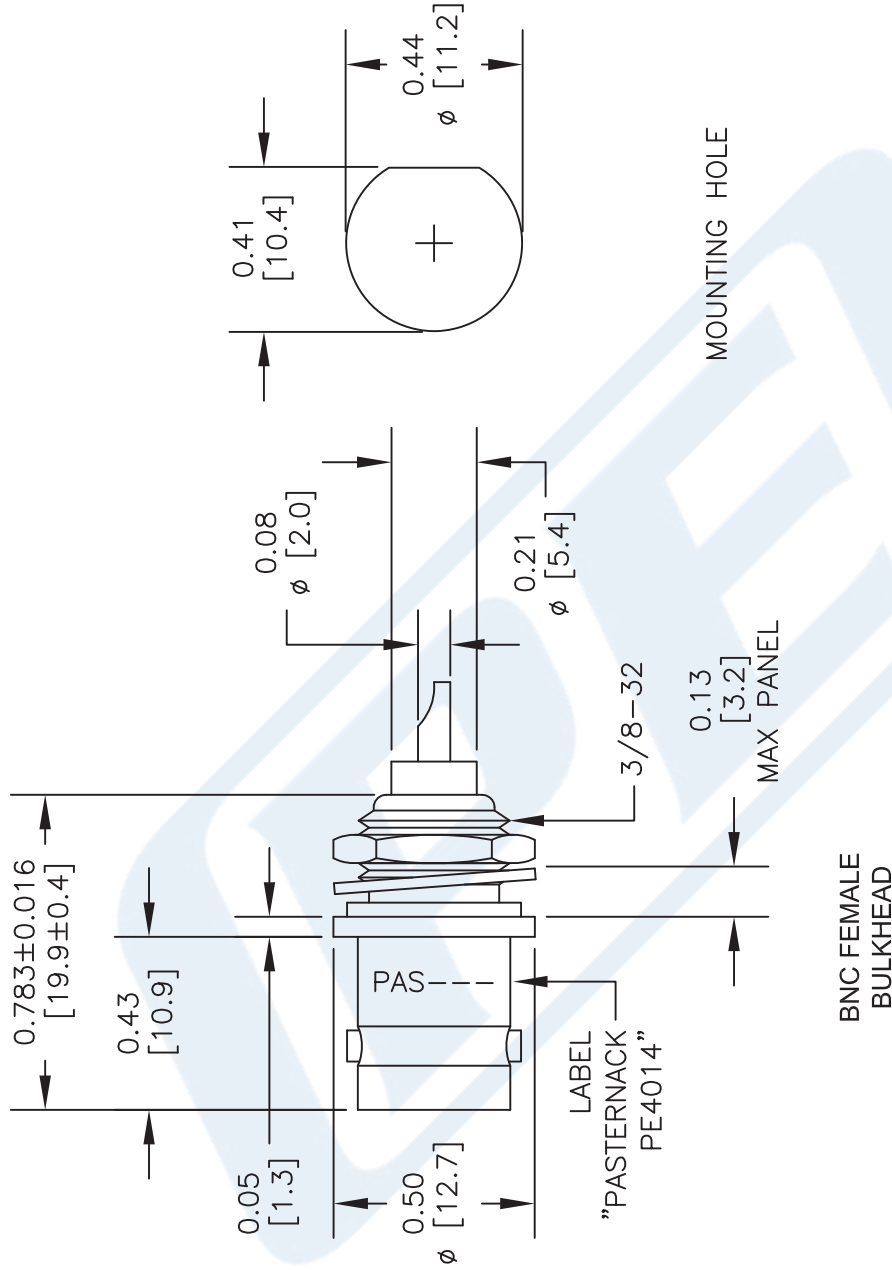
Click the following link (or enter part number in "SEARCH" on website) to obtain additional part information including price, inventory and certifications: [BNC Female Bulkhead Mount Connector Solder Attachment Solder Cup Terminal, .410 inch D Hole PE4014](#)

URL: <https://www.pasternack.com/bnc-female-standard-solder-cup-terminal-connector-pe4014-p.aspx>

The information contained in this document is accurate to the best of our knowledge and representative of the part described herein. It may be necessary to make modifications to the part and/or the documentation of the part, in order to implement improvements. Pasternack reserves the right to make such changes as required. Unless otherwise stated, all specifications are nominal. Pasternack does not make any representation or warranty regarding the suitability of the part described herein for any particular purpose, and Pasternack does not assume any liability arising out of the use of any part or documentation.

# PE4014 CAD Drawing

BNC Female Bulkhead Mount Connector Solder Attachment  
Solder Cup Terminal, .410 inch D Hole



## STANDARD TOLERANCES

- .X ±0.2
- .XX ±0.1
- .XXX ±0.05

\*STANDARD TOLERANCES APPLY ONLY TO DIMENSIONS IN INCHES

**PE PASTERNAK**  
THE ENGINEER'S RF SOURCE  
Pasternack Enterprises, Inc.  
P.O. Box 16759 | Irvine | CA | 92623  
Phone: (949) 261-1920 | Fax: (949) 261-7451  
Website: www.pasternack.com | E-Mail: sales@pasternack.com

DWG TITLE  
**PE4014**

NOTES:  
1. UNLESS OTHERWISE SPECIFIED ALL DIMENSIONS ARE NOMINAL.  
2. ALL SPECIFICATIONS ARE SUBJECT TO CHANGE WITHOUT NOTICE AT ANY TIME.  
3. DIMENSIONS ARE IN INCHES [mm].

FSCM NO. 53919

CAD FILE 071316

SCALE N/A

SIZE A

2233