



N Female Field Replaceable Connector
 4 Hole Flange Mount Slotted Contact Terminal,
 1.0 inch Sq. Flange Watt Meter Connector

RF Connectors Technical Data Sheet

PE44722

Configuration

- N Female Connector
- MIL-STD-348
- 50 Ohms
- Straight Body Geometry
- Slotted Contact Interface Type
- Field Replaceable Attachment
- 4 Hole Flange

Features

- Max Frequency 11 GHz
- Silver Plated Contact
- Contact plating according to QQ-S-365

Applications

- General Purpose Test
- Rack and Panel Mount Applications
- Watt Meter

Description

Pasternack's PE44722 type N female 4 hole flange mount connector with field replaceable attachment slotted contact terminal is part of our full line of RF components available for same-day shipping. Our type N female connector operates up to a maximum frequency of 11 GHz. This type N 4 hole flange connector allows designers to create external connections on their product enclosures, and can be used in a variety of other rack mount and panel mount applications. This field replaceable connector is easy to install or replace in the field. The N type quick change (QC) connector is designed for wattmeter applications.

Our type N female 4 hole flange connector PE44722 datasheet specifications and drawing with dimensions are shown below in this PDF. Pasternack's broad catalog of RF, microwave and millimeter wave connectors allows designers to configure and customize their signal connections however they like. Whether the need is to provide an I/O for a board design, or simply create a custom cable assembly configuration, Pasternack has the right connector for the job. Pasternack can also expertly build your custom cable assemblies for you and ship same-day.

Electrical Specifications

Description	Minimum	Typical	Maximum	Units
Frequency Range	DC		11	GHz
Operating Voltage (AC)			1,000	Vrms
Dielectric Withstanding Voltage (AC)			2,500	Vrms
Insulation Resistance	5,000			MOhms

Mechanical Specifications

Size

Length	1.141 in [28.98 mm]
Width/Dia.	1 in [25.40 mm]
Height	1 in [25.4 mm]
Weight	0.09 lbs [40.82 g]

Click the following link (or enter part number in "SEARCH" on website) to obtain additional part information including price, inventory and certifications: [N Female Field Replaceable Connector 4 Hole Flange Mount Slotted Contact Terminal, 1.0 inch Sq. Flange Watt Meter Connector PE44722](#)



N Female Field Replaceable Connector
 4 Hole Flange Mount Slotted Contact Terminal,
 1.0 inch Sq. Flange Watt Meter Connector

RF Connectors Technical Data Sheet

PE44722

Material Specifications

Description	Material	Plating
Contact		Silver QQ-S-365
Insulation	PTFE	
Body	Brass	Nickel QQ-N-290

Environmental Specifications

Temperature

Operating Range -65 to +165 deg C

Compliance Certifications (see [product page](#) for current document)

Plotted and Other Data

Notes:

N Female Field Replaceable Connector 4 Hole Flange Mount Slotted Contact Terminal, 1.0 inch Sq. Flange Watt Meter Connector from Pasternack Enterprises has same day shipment for domestic and International orders. Our RF, microwave and millimeter wave products maintain a 99% availability and are part of the broadest selection in the industry.

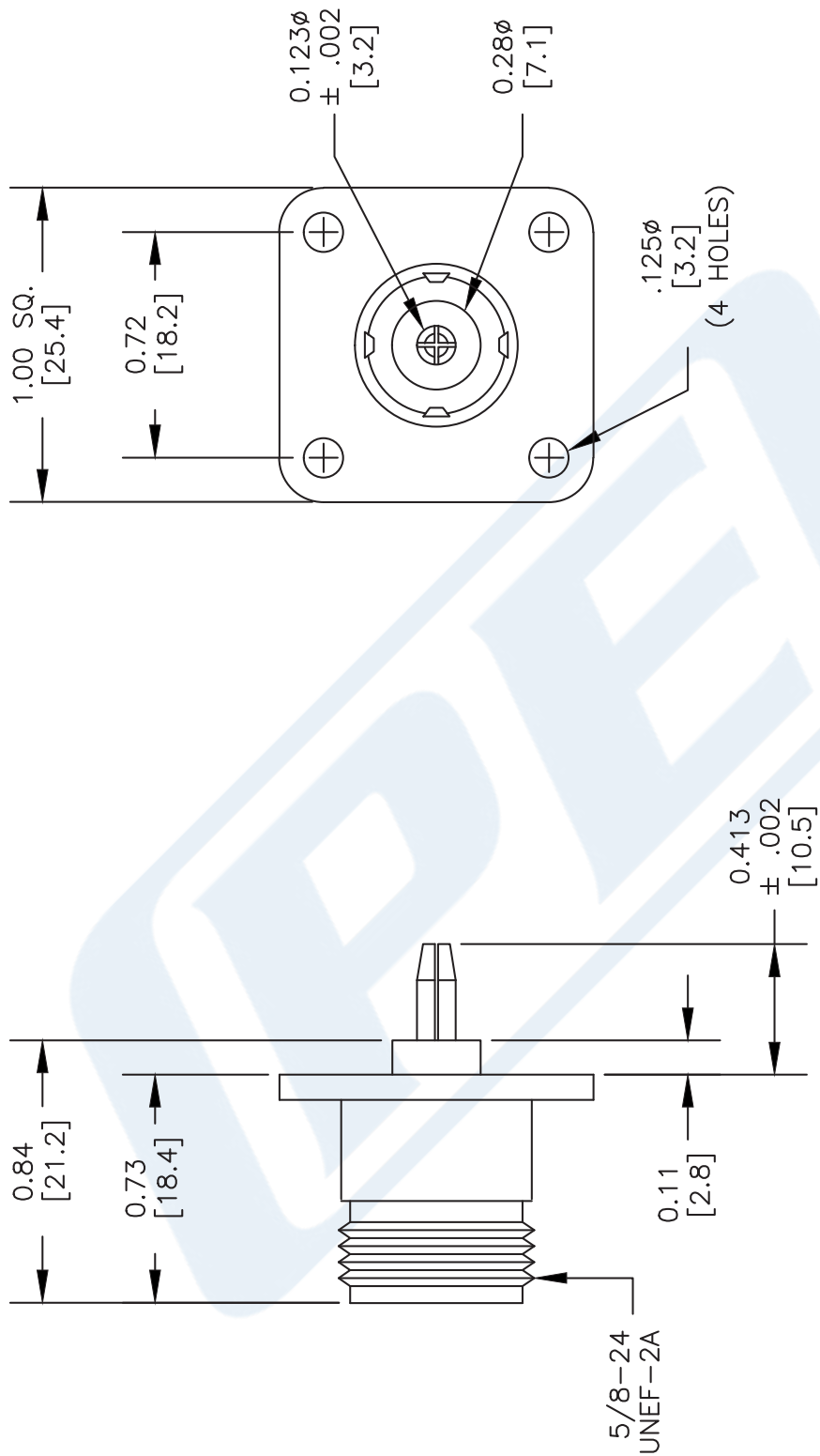
Click the following link (or enter part number in "SEARCH" on website) to obtain additional part information including price, inventory and certifications: [N Female Field Replaceable Connector 4 Hole Flange Mount Slotted Contact Terminal, 1.0 inch Sq. Flange Watt Meter Connector PE44722](#)

URL: <https://www.pasternack.com/n-female-standard-slotted-contact-terminal-connector-pe44722-p.aspx>

The information contained in this document is accurate to the best of our knowledge and representative of the part described herein. It may be necessary to make modifications to the part and/or the documentation of the part, in order to implement improvements. Pasternack reserves the right to make such changes as required. Unless otherwise stated, all specifications are nominal. Pasternack does not make any representation or warranty regarding the suitability of the part described herein for any particular purpose, and Pasternack does not assume any liability arising out of the use of any part or documentation.

PE44722 CAD Drawing

N Female Field Replaceable Connector 4 Hole Flange Mount Slotted Contact Terminal, 1.0 inch Sq. Flange Watt Meter Connector



DWG TITLE

PE44722

NOTES:
 1. UNLESS OTHERWISE SPECIFIED ALL DIMENSIONS ARE NOMINAL.
 2. ALL SPECIFICATIONS ARE SUBJECT TO CHANGE WITHOUT NOTICE AT ANY TIME.
 3. DIMENSIONS ARE IN INCHES [mm].
 4. FITS MIL-C-17 AND EQUIVALENT CABLES.

REV. -

FSCM NO. 53919

CAD FILE 020712

SCALE N/A

SIZE A

2233



PASTERNAK®
 Pasternack Enterprises, Inc.
 P.O. Box 16759 | Irvine | CA | 92623
 Phone: (949) 261-1920 | Fax: (949) 261-7451
 Website: www.pasternack.com | E-Mail: sales@pasternack.com