



2 Watt RF Load Up to 50 GHz With 2.4mm Male Input Passivated Stainless Steel

RF Terminations Technical Data Sheet

PE6227

Features

- DC to 50 GHz Frequency Range
- VSWR 1.45:1 Max
- Max Power 2 Watt (CW)
- 2.4mm Male Coaxial Interface

Applications

- Wireless
- SatCom
- Radar Systems
- Test and Measurement
- Commercial and Military Communication

Description

Pasternack's PE6227 is an RF termination (also called RF load or dummy load) that operates from DC to 50 GHz and handles up to 2 Watt (CW). Our 2.4mm termination / load has a male gender. PE6227 2.4mm load termination offers 1.45:1 max VSWR.

RF load / terminations are indispensable components in many RF, microwave and millimeter wave systems where signal reflection from unused ports can potentially damage the device or reduce the signal integrity. By using a terminator on an unused port with a matched load (dummy load), the incident energy will be absorbed with minimal reflection. These termination components are commonly used to terminate devices such as couplers, circulators, and switches. They are also widely used in measurement systems to ensure accurate results. Pasternack offers a huge selection of RF, microwave and millimeter wave terminations up to 65 GHz with excellent performance over the entire operating range and power handling capabilities up to 800 Watt (CW).

Electrical Specifications

Description	Minimum	Typical	Maximum	Units
Frequency Range	DC		50	GHz
Impedance		50		Ohms
VSWR			1.45:1	
Input Power (CW) derated linearly to 0.2W at +100°C			2	Watts
Input Power (Peak) 5µs pulse, 0.02% duty cycle			100	Watts

Performance by Frequency

Description	F1	F2	F3	F4	F5	Units
Frequency Range	DC to 6	6 to 26.5	26.5 to 50			GHz
VSWR, Max	1.1:1	1.3:1	1.45:1			

Click the following link (or enter part number in "SEARCH" on website) to obtain additional part information including price, inventory and certifications: [2 Watt RF Load Up to 50 GHz With 2.4mm Male Input Passivated Stainless Steel PE6227](#)



2 Watt RF Load Up to 50 GHz With 2.4mm
Male Input Passivated Stainless Steel

RF Terminations Technical Data Sheet

PE6227

Mechanical Specifications

Size

Length	0.44 in [11.18 mm]
Width	0.315 in [8 mm]
Weight	0.008 lbs [3.63 g]

Configuration

Connector	2.4mm Male
Connector Specification	MIL-STD-348
Hex Size	5/16 inch
Mating Torque	10 in-lbs [1.13 Nm]

Material Specifications

Description	Material	Plating
Connector 1 Contact	Beryllium Copper	Gold MIL-PRF-39012
Insulation	PTFE	
Body	Passivated Stainless Steel	
Coupling Nut	Passivated Stainless Steel	
Housing	Passivated Stainless Steel	

Environmental Specifications

Temperature

Operating Range	-55 to +100 deg C
-----------------	-------------------

Compliance Certifications (see [product page](#) for current document)

Plotted and Other Data

Notes:

Click the following link (or enter part number in "SEARCH" on website) to obtain additional part information including price, inventory and certifications: [2 Watt RF Load Up to 50 GHz With 2.4mm Male Input Passivated Stainless Steel PE6227](#)

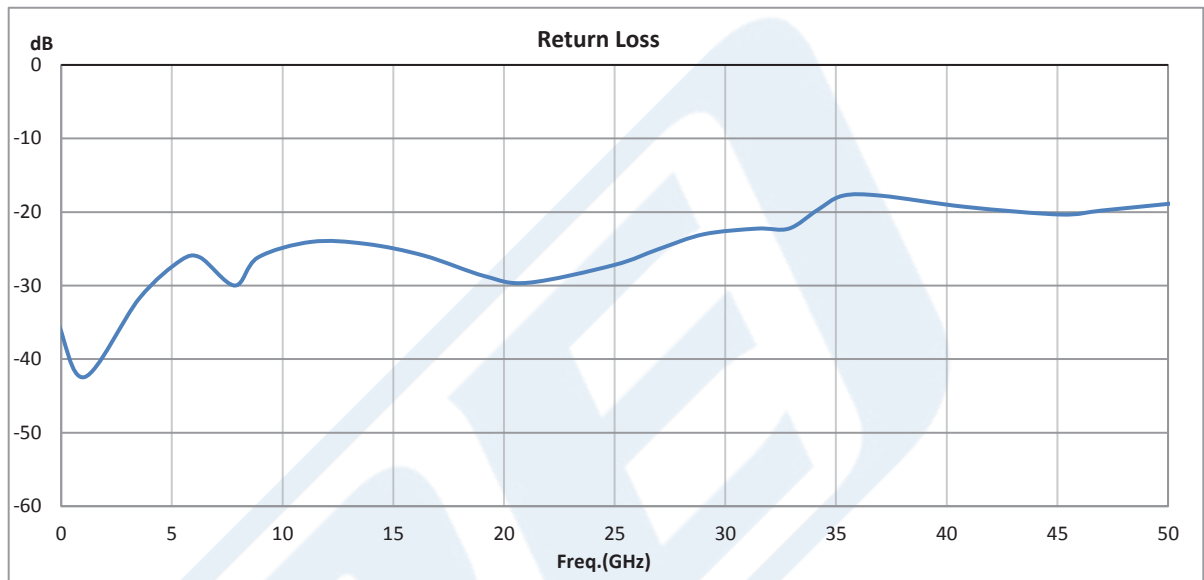


2 Watt RF Load Up to 50 GHz With 2.4mm
Male Input Passivated Stainless Steel

RF Terminations Technical Data Sheet

PE6227

Typical Performance Data



2 Watt RF Load Up to 50 GHz With 2.4mm Male Input Passivated Stainless Steel from Pasternack Enterprises has same day shipment for domestic and International orders. Our RF, microwave and millimeter wave products maintain a 99.4% availability and are part of the broadest selection in the industry.

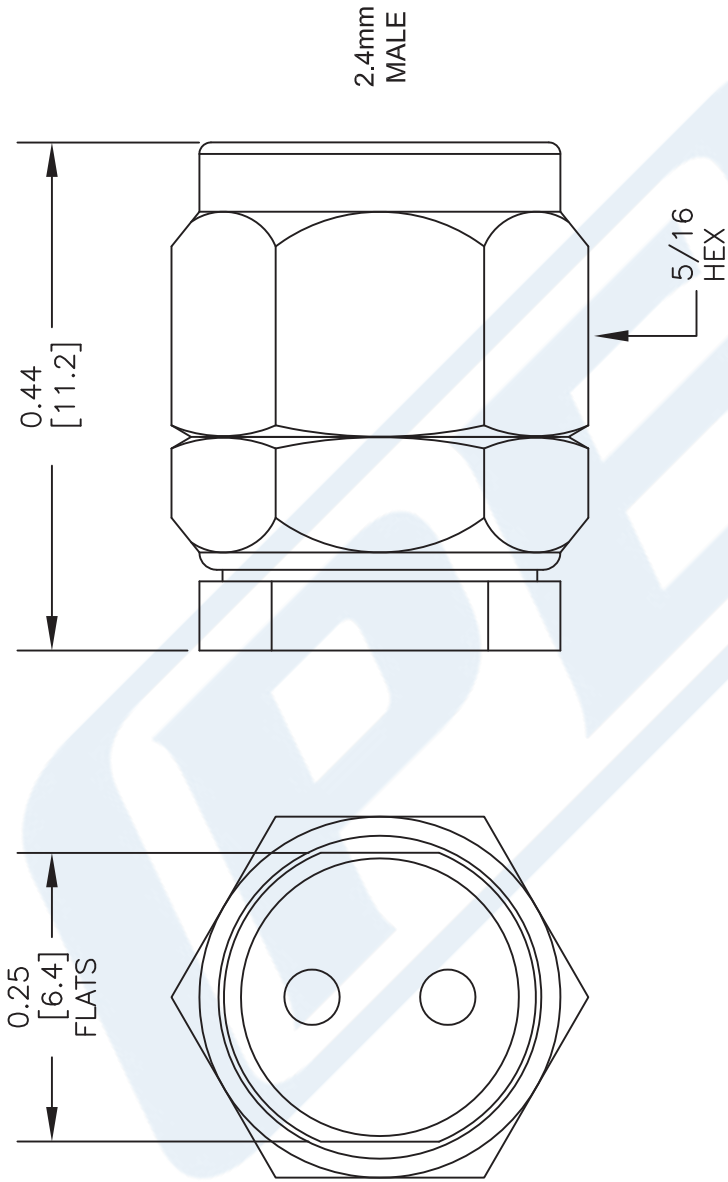
Click the following link (or enter part number in "SEARCH" on website) to obtain additional part information including price, inventory and certifications: [2 Watt RF Load Up to 50 GHz With 2.4mm Male Input Passivated Stainless Steel PE6227](https://www.pasternack.com/2-watts-2.4mm-male-rf-load-up-to-50-ghz-precision-pe6227-p.aspx)

URL: <https://www.pasternack.com/2-watts-2.4mm-male-rf-load-up-to-50-ghz-precision-pe6227-p.aspx>

The information contained in this document is accurate to the best of our knowledge and representative of the part described herein. It may be necessary to make modifications to the part and/or the documentation of the part, in order to implement improvements. Pasternack reserves the right to make such changes as required. Unless otherwise stated, all specifications are nominal. Pasternack does not make any representation or warranty regarding the suitability of the part described herein for any particular purpose, and Pasternack does not assume any liability arising out of the use of any part or documentation.

PE6227 CAD Drawing

2 Watt RF Load Up to 50 GHz With 2.4mm Male Input Passivated Stainless Steel



STANDARD TOLERANCES

.X ±0.03
.XX ±0.010
.XXX ±0.005

*STANDARD TOLERANCES APPLY ONLY TO DIMENSIONS IN INCHES



THE ENGINEER'S RF SOURCE

Pasternack Enterprises, Inc.

P.O. Box 16759 | Irvine | CA | 92623

Phone: (949) 261-1920 | Fax: (949) 261-7451

Website: www.pasternack.com | E-Mail: sales@pasternack.com

DWG TITLE

PE6227

NOTES:
1. UNLESS OTHERWISE SPECIFIED ALL DIMENSIONS ARE NOMINAL.
2. ALL SPECIFICATIONS ARE SUBJECT TO CHANGE WITHOUT NOTICE AT ANY TIME.
3. DIMENSIONS ARE IN INCHES [mm].

CAGE CODE 53919

CAD FILE 052317

SCALE N/A

SIZE A

2233