



7/16 DIN Male to N Female Adapter IP67 Mated

TECHNICAL DATA SHEET

PE91212

**Configuration**

Connector 1	7/16 DIN Male
Impedance 1	50 Ohms
Connector 2	N Female
Impedance 2	50 Ohms
Adapter Design	Standard
Body Style	Straight

**Electrical Specifications**

Frequency Range	DC to 6 GHz
Maximum VSWR	1.15:1
Maximum Passive Intermodulation (2 x 20 Watts), dBc	160

**Mechanical Specifications**

**Size**

Length, in [mm]	1.598 [40.59]
Width/Dia., in [mm]	1.25 [31.75]

**Connector 1**

Type	7/16 DIN Male
Inner Conductor Material and Plating	Beryllium Copper, Silver
Coupling Nut Material and Plating	Brass, Tri-Metal
Hex Size, mm	32
Torque, ft-lbs [Nm]	18.333 [24.86]
Body Material and Plating	Brass, Tri-Metal
Dielectric Type	PTFE

**Connector 2**

Type	N Female
Inner Conductor Material and Plating	Beryllium Copper, Silver
Body Material and Plating	Brass, Tri-Metal
Dielectric Type	PTFE

**Environmental Specifications**

**Temperature**

Operating Range	-45 to +120 deg C
Ingress Protection	IP67 Mated

**Compliance Certifications** (visit [www.Pasternack.com](http://www.Pasternack.com) for current document)

RoHS Compliant

Click the following link (or enter part number in "SEARCH" on website) to obtain additional part information including price, inventory and certifications: [7/16 DIN Male to N Female Adapter IP67 Mated PE91212](#)



## 7/16 DIN Male to N Female Adapter IP67 Mated

### TECHNICAL DATA SHEET

PE91212

#### Plotted and Other Data

Notes:

- Values at +25 °C, sea level

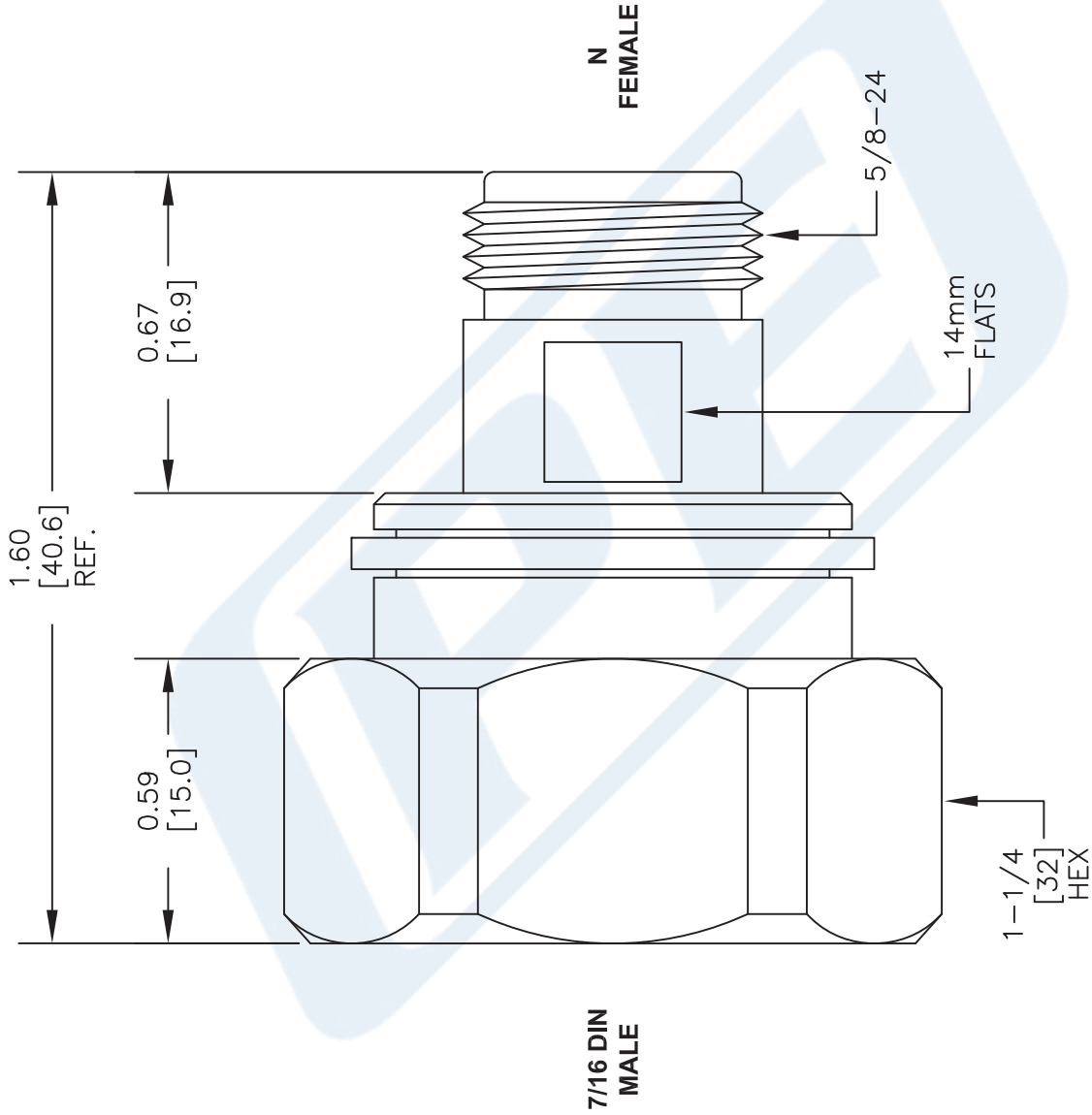
7/16 DIN Male to N Female Adapter IP67 Mated from Pasternack Enterprises has same day shipment for domestic and International orders. Our RF, microwave and millimeter wave products maintain a 99% availability and are part of the broadest selection in the industry.

Click the following link (or enter part number in "SEARCH" on website) to obtain additional part information including price, inventory and certifications: [7/16 DIN Male to N Female Adapter IP67 Mated PE91212](#)

URL: <http://www.pasternack.com/7-16-male-n-female-straight-adapter-pe91212-p.aspx>

The information contained in this document is accurate to the best of our knowledge and representative of the part described herein. It may be necessary to make modifications to the part and/or the documentation of the part, in order to implement improvements. Pasternack reserves the right to make such changes as required. Unless otherwise stated, all specifications are nominal. Pasternack does not make any representation or warranty regarding the suitability of the part described herein for any particular purpose, and Pasternack does not assume any liability arising out of the use of any part or documentation.

**PE91212 CAD Drawing**  
7/16 DIN Male to N Female Adapter IP67 Mated



NOTES:  
 1. UNLESS OTHERWISE SPECIFIED ALL DIMENSIONS ARE NOMINAL.  
 2. ALL SPECIFICATIONS ARE SUBJECT TO CHANGE WITHOUT NOTICE AT ANY TIME.  
 3. DIMENSIONS ARE IN INCHES [mm].

DWG TITLE  
**PE91212**

FSCM NO. 53919

CAD FILE 061114

SCALE N/A

SIZE A

2233

**PE PASTERNAK®**  
 THE ENGINEER'S RF SOURCE  
 Pasternack Enterprises, Inc.  
 P.O. Box 16759 | Irvine | CA | 92623  
 Phone: (949) 261-1920 | Fax: (949) 261-7451  
 Website: www.pasternack.com | E-Mail: sales@pasternack.com