



2 Watt RF Load Up to 6 GHz With N  
Male Input Tri-Metal Plated Brass

RF Terminations Technical Data Sheet

PE6249

**Features**

- DC to 6 GHz Frequency Range
- Return Loss -18 dB Max
- Max Power 2 Watt (CW)
- N Male Coaxial Interface

**Applications**

- Wireless
- SatCom
- Radar Systems
- Test and Measurement
- Commercial and Military Communication

**Description**

Pasternack's PE6249 is an RF termination (also called RF load or dummy load) that operates from DC to 6 GHz and handles up to 2 Watt (CW). Our N termination / load has a male gender. PE6249 N load termination offers -18 dB max return loss.

RF load / terminations are indispensable components in many RF, microwave and millimeter wave systems where signal reflection from unused ports can potentially damage the device or reduce the signal integrity. By terminating an unused port with a matched load (dummy load), the incident energy will be absorbed with minimal reflection. These termination components are commonly used to terminate devices such as couplers, circulators, and switches. They are also widely used in measurement systems to ensure accurate results. Pasternack offers a huge selection of RF, microwave and millimeter wave terminations up to 65 GHz with excellent performance over the entire operating range and power handling capabilities up to 800 Watt (CW).

**Electrical Specifications**

Description	Minimum	Typical	Maximum	Units
Frequency Range	DC		6	GHz
Impedance		50		Ohms
Return Loss			-18	dB
Input Power (CW) derated linearly to 1W at +125°C			2	Watts
Input Power (Peak)			250	Watts

**Performance by Frequency**

Description	F1	F2	F3	F4	F5	Units
Frequency Range	DC to 4	4 to 6				GHz
Return Loss, Max	-25	-18				dB

Click the following link (or enter part number in "SEARCH" on website) to obtain additional part information including price, inventory and certifications: [2 Watt RF Load Up to 6 GHz With N Male Input Tri-Metal Plated Brass PE6249](#)



2 Watt RF Load Up to 6 GHz With N  
Male Input Tri-Metal Plated Brass

## RF Terminations Technical Data Sheet

PE6249

### Mechanical Specifications

**Size**

Length	1.18 in [29.97 mm]
Width	0.79 in [20.07 mm]
Weight	0.0885 lbs [40.14 g]

**Configuration**

Connector	N Male
-----------	--------

### Material Specifications

Description	Material	Plating
Connector 1 Contact	Brass	Gold
Insulation	PTFE	
Body	Brass	Tri-Metal
Coupling Nut	Brass	Tri-Metal
Housing	Brass	Tri-Metal

### Environmental Specifications

**Temperature**

Operating Range	-45 to +120 deg C
-----------------	-------------------

**Compliance Certifications** (see [product page](#) for current document)

### Plotted and Other Data

Notes:

Click the following link (or enter part number in "SEARCH" on website) to obtain additional part information including price, inventory and certifications: [2 Watt RF Load Up to 6 GHz With N Male Input Tri-Metal Plated Brass PE6249](#)



## 2 Watt RF Load Up to 6 GHz With N Male Input Tri-Metal Plated Brass

### RF Terminations Technical Data Sheet

PE6249

2 Watt RF Load Up to 6 GHz With N Male Input Tri-Metal Plated Brass from Pasternack Enterprises has same day shipment for domestic and International orders. Our RF, microwave and millimeter wave products maintain a 99.4% availability and are part of the broadest selection in the industry.

Click the following link (or enter part number in "SEARCH" on website) to obtain additional part information including price, inventory and certifications: [2 Watt RF Load Up to 6 GHz With N Male Input Tri-Metal Plated Brass PE6249](https://www.pasternack.com/2-watts-n-male-rf-load-up-to-6-ghz-pe6249-p.aspx)

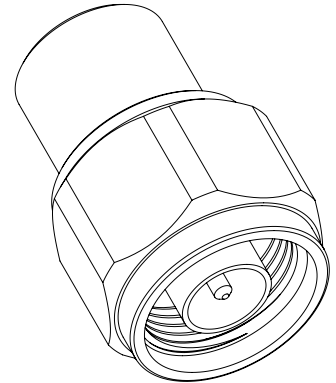
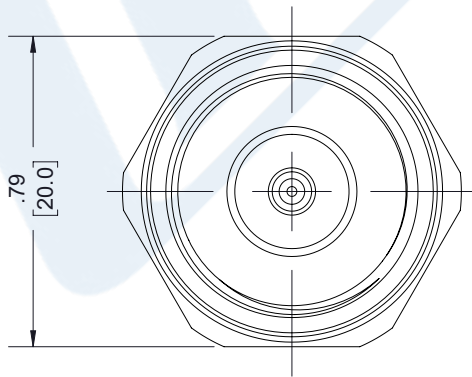
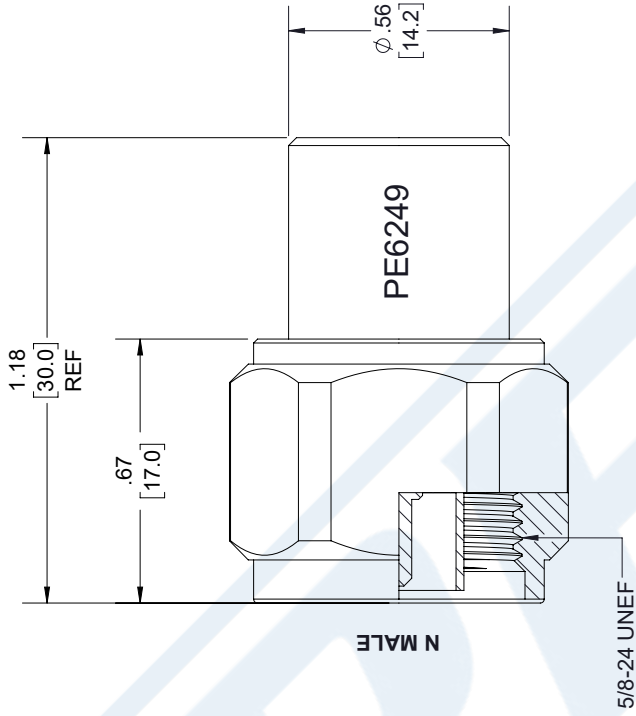
URL: <https://www.pasternack.com/2-watts-n-male-rf-load-up-to-6-ghz-pe6249-p.aspx>

The information contained in this document is accurate to the best of our knowledge and representative of the part described herein. It may be necessary to make modifications to the part and/or the documentation of the part, in order to implement improvements. Pasternack reserves the right to make such changes as required. Unless otherwise stated, all specifications are nominal. Pasternack does not make any representation or warranty regarding the suitability of the part described herein for any particular purpose, and Pasternack does not assume any liability arising out of the use of any part or documentation.

# PE6249 CAD Drawing

2 Watt RF Load Up to 6 GHz With N Male Input Tri-Metal Plated Brass

REVISIONS			
REV.	DESCRIPTION	DATE	APPROVED
A	PCR PE6249	3/29/2021	S. ELLIS



UNLESS OTHERWISE SPECIFIED LEADING DIMENSIONS ARE INCHES DIMENSIONS IN [ ] ARE MILLIMETERS

TOLERANCES:

.X = ±.2 [5.08]	FRACTIONS ± 1/32
.XX = ±.02 [.51]	ANGLES ± 1°
.XXX = ±.005 [.13]	

CABLE LENGTH (L) TOLERANCES:

L ≤ 12 [305]	±.1 [25] / -0
12 [305] < L ≤ 60 [1524]	±.2 [51] / -0
60 [1524] < L ≤ 120 [3048]	±.4 [102] / -0
120 [3048] < L ≤ 300 [7620]	±.6 [152] / -0
300 [7620] < L	±.9% L / -0

ALL DIMENSIONS SHOWN ARE FOR REFERENCE ONLY.

**PE PASTERNAK**  
an INFINITO brand

Pasternack Enterprises, Inc.  
P. O. Box 16759, Irvine, CA 92623.  
Phone: 1.949.261.1920 | 1.866.727.8376  
Fax: 1.949.261.7451  
Website: [www.pasternack.com](http://www.pasternack.com)  
E-mail: [sales@pasternack.com](mailto:sales@pasternack.com)

THIRD-ANGLE PROJECTION

THE INFORMATION AND DESIGN IN THIS DOCUMENT IS THE PROPERTY OF PASTERNAK CORPORATION ALL RIGHTS RESERVED.

SHEET 1 OF 1

SCALE N/A

REV A

ITEM NO. PE6249

DRAWN BY K. DANG

CAGE CODE A 53919