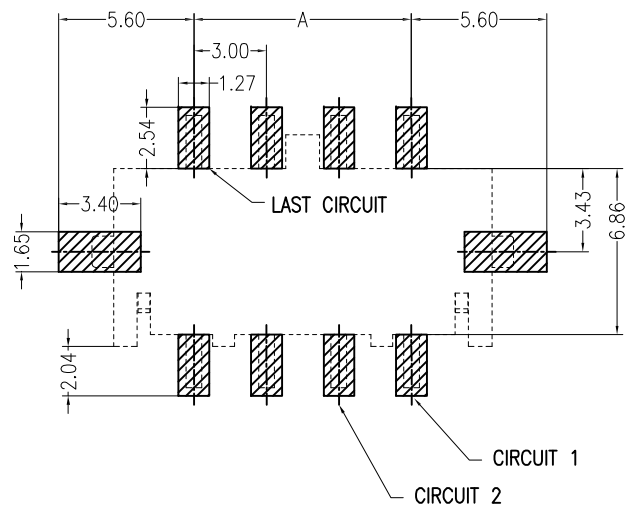
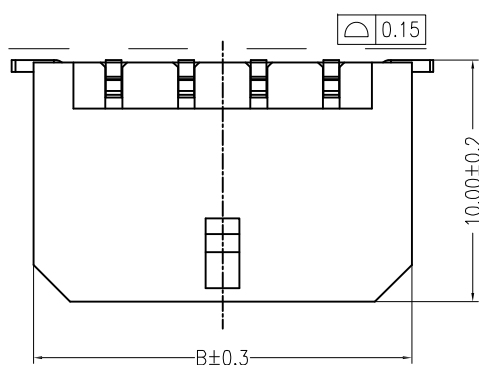
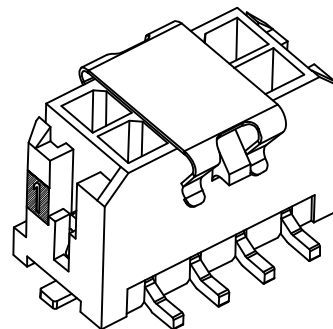


WITH COVER

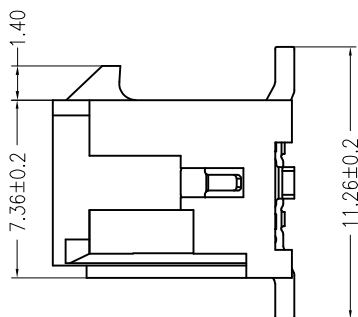
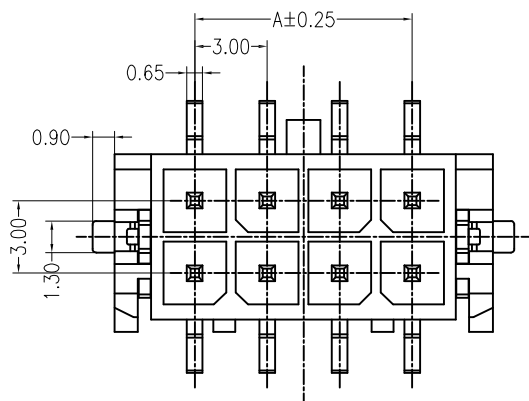


PCB LAYOUT(Tolerance:±0.05)



Specifications:

- Contact resistance: ≤10mΩ
- Insulation resistance: ≥1000MΩ
- Rated voltage: 250V AC DC
- Rated current: 5.0A AC DC
- Withstand Voltage: 1000V AC/minute
- Temperature Range: -25°C ~ +85°C
- Housing: LCP UL94V-0, BLACK
- Contacts: Brass/MATTE Sn-plated
- Solder Tabs: Brass/MATTE Sn-plated



Poles	Part NO.	Dimension (mm)	
		A	B
2*2	W-3001N04P-B000	3.0	9.65
2*3	W-3001N06P-0000	6.0	12.65
2*4	W-3001N08P-B000	9.0	15.65
2*5	W-3001N10P-0000	12.0	18.65
2*6	W-3001N12P-B000	15.0	21.65
2*7	W-3001N14P-B000	18.0	24.65
2*8	W-3001N16P-B000	21.0	27.65
2*9	W-3001N18P-B000	24.0	30.65
2*10	W-3001N20P-0000	27.0	33.65
2*11	W-3001N22P-B000	30.0	36.65
2*12	W-3001N24P-B000	33.0	39.65

TOLERANCE TABLE	
.0	±0.30
.00	±0.20
.000	±0.05

APPROVED:	DATE:	深圳市灿科盟实业有限公司 CHANKLEMENT INDUSTRYCO., LTD			
CHECKED:	DATE:				
DRAWN:	DATE:	PART. NO.		/	
		UNIT	mm	SCALE	free
		FILE NO.	Ckmtw-MX-00023	REV.	A JK01