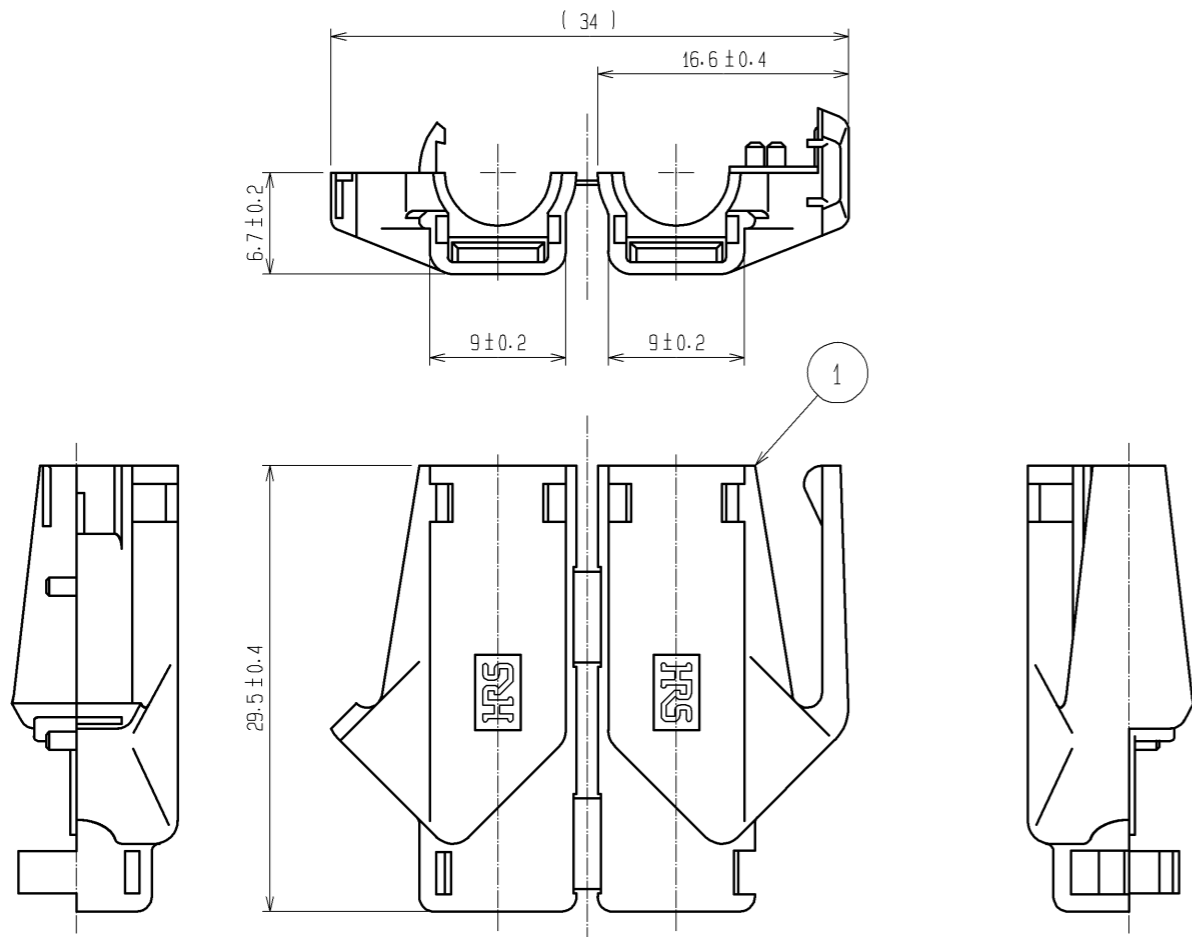


Sep.1.2023 Copyright 2023 HIROSE ELECTRIC CO., LTD. All Rights Reserved.  
In case of consideration for using Automotive equipment / device which demand high reliability, kindly contact our sales window correspondents.

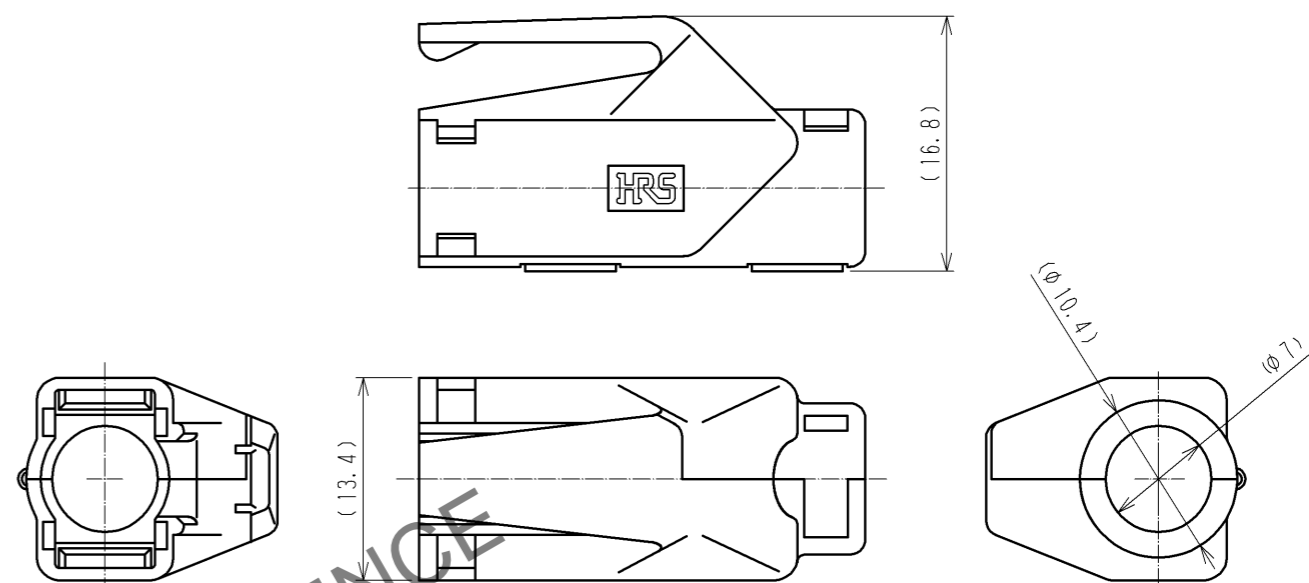


NOTE 1. ( ) INDICATES THE REFERENCE DIMENSIONS.  
 2. COLORS ARE SHOWN IN TABLE-1.  
 3. PER PACK: 50 PIECES.

TABLE-1

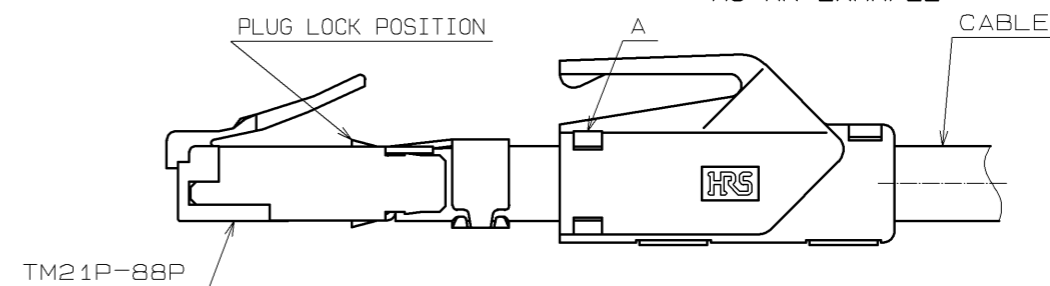
PART No.	HRS No.	COLOR
TM21P-88P(11)	CL222-2862-9-11	LIGHT BEIGE
TM21P-88P(12)	CL222-2862-9-12	MEDIUM GRAY
TM21P-88P(13)	CL222-2862-9-13	BLACK
TM21P-88P(14)	CL222-2862-9-14	NATURAL LIGHT GRAY
TM21P-88P(15)	CL222-2862-9-15	RED
TM21P-88P(16)	CL222-2862-9-16	GREEN
TM21P-88P(17)	CL222-2862-9-17	BLUE
TM21P-88P(18)	CL222-2862-9-18	YELLOW
TM21P-88P(19)	CL222-2862-9-19	ORANGE
TM21P-88P(32)	CL222-2862-9-32	WHITE
TM21P-88P(33)	CL222-2862-9-33	VIOLET
TM21P-88P(34)	CL222-2862-9-34	PINK

ATTACHED HOOD CLOSED

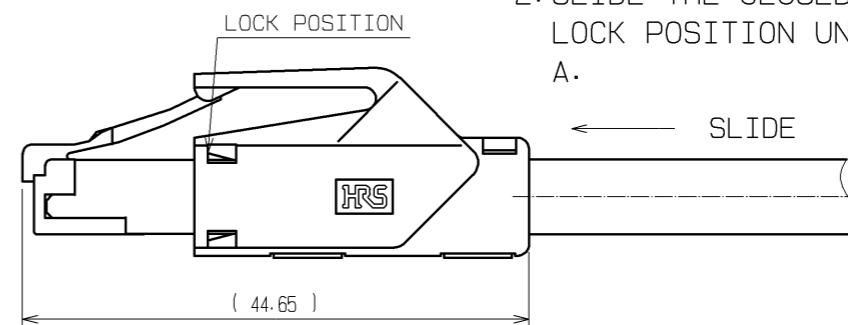


HOOD ATTACHMENT PROCEDURE (FREE)

1. FIT THE OPENED HOOD ON THE CABLE AND CLOSE. HOOD DIRECTION IS SHOWN AS AN EXAMPLE.



2. SLIDE THE CLOSED HOOD TO THE PLUG LOCK POSITION UNTIL BEING LOCKED AT A.



NO.	MATERIAL	FINISH . REMARKS	NO.	MATERIAL	FINISH . REMARKS		
			1	POLYAMIDE	( 2 ) UL94V-2		
UNITS mm		SCALE 2 : 1	COUNT 3	DESCRIPTION OF REVISIONS DIS-E-001276	DESIGNED TS. ITO	CHECKED HO. MIWA	DATE 07.02.14
<b>HRS</b> HIROSE ELECTRIC CO., LTD.		APPROVED : HO. MIWA	05.01.05	DRAWING NO. EDC3-121484-01			
		CHECED : TH. KAMEYA	05.01.05	PART NO. TM21P-88P (**)			
		DESIGNED : SS. SATOH	05.01.05	CODE NO.			
		DRAWN : SS. SATOH	05.01.05				