

TG Series

Three Phase General Type EMI Filter with Neutral

The Ohmite TG series of general purpose three phase filters is designed for use in a wide range of applications. All TG series filters contain a neutral connection point. The TG series reduces electromagnetic interference and helps in maintaining compliance with EMI emission standards.



FEATURES

- General Purpose
- Compact
- Superior Performance
- Chassis mounting 3 Phase Filter 4 Wire

APPLICATIONS

- CNC Machines
- Electronic Equipment
- Convertors
- Rectifier
- UPS/Inverters

SERIES SPECIFICATIONS

Part No.	Rated current @40°C	Leakage current (mA) @250VAC/50Hz	Termination		Weight (kg)
			Tab	Screw	
TGA-001	1A	3	6.3 x 0.8		0.26
TGA-003	3A	3	6.3 x 0.8		0.26
TGA-006	6A	3	6.3 x 0.8		0.26
TGA-010	10A	3	6.3 x 0.8		0.26
TGA-015	15A	3		M5	0.7
TGA-016	16A	3		M5	0.7
TGA-020	20A	3		M5	0.7
TGA-025	25A	3		M5	0.7
TGA-030	30A	3		M5	0.7
TGA-040	40A	3		M5	0.7
TGA-050	50A	3		M6	1.2
TGA-060	60A	3		M6	1.2
TGA-075	75A*	3		M8	9
TGA-080	80A*	3		M8	9
TGA-100	100A*	3		M10	9
TGA-125	125A*	13.8		M10	9
TGA-150	150A*	13.8		M10	9

*Not covered under CSA

CHARACTERISTICS

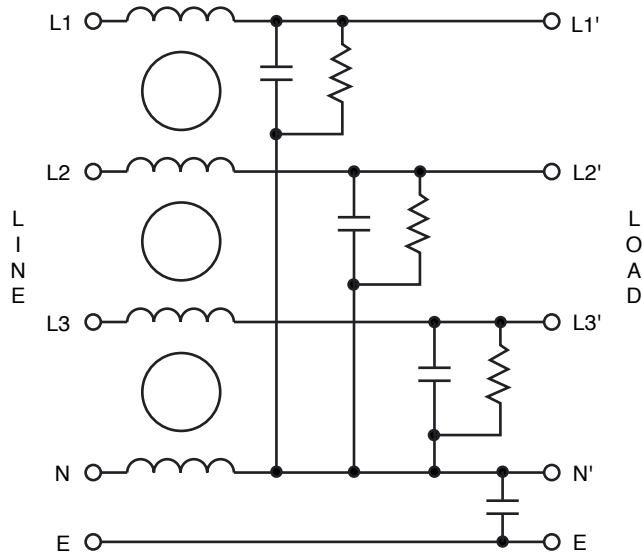
Maximum Cont. Oper. Voltage	440 or 520VAC
Operating Frequency	50/60Hz
Current ratings	1A to 150A @40°C
High Potential test voltage	L to G 2660Vdc for 1 min.; L to L 1950Vdc for 1 min.
Overload Capability	135% of Rated current for 15 min
Design	corresponding to UL60939-3, CSA 22.2 No.8-13 and IEC 60939
Flammability	corresponding to UL 94 V-0
Temperature range	-25°C to +85°C
Climatic Category	25/85/21
Recommended Torque (Nm)	M5: 2-3; M6: 3.5-4; M8: 10-14; M10: 15-17

(continued)

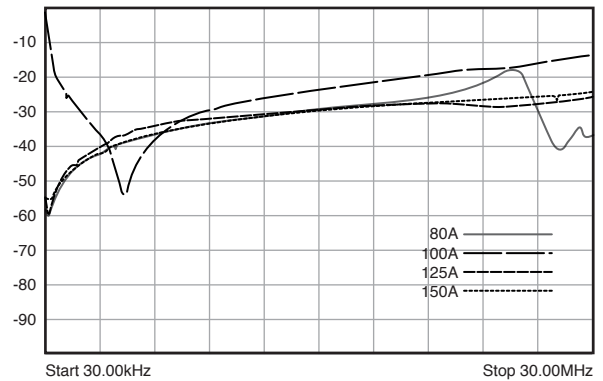
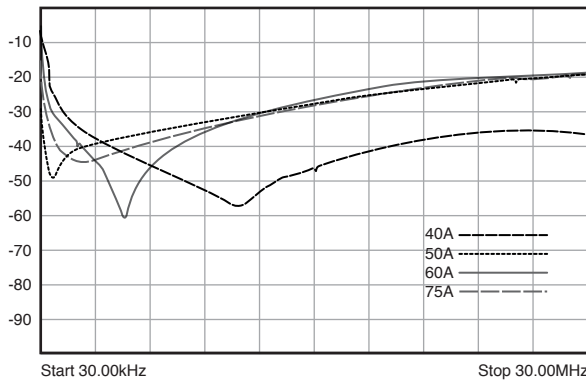
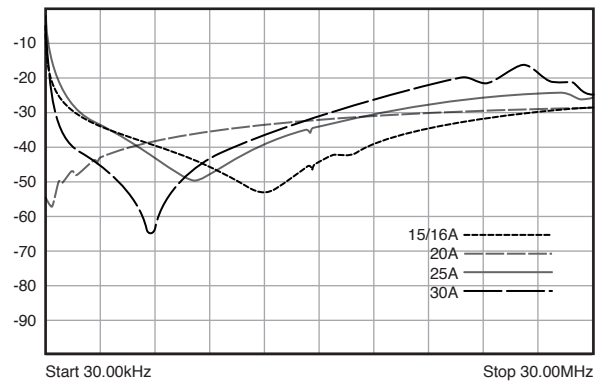
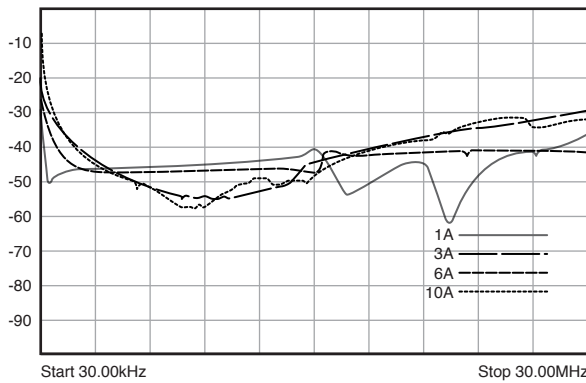
TG Series

Three Phase General Type EMI Filter with Neutral

CIRCUIT DIAGRAM



INSERTION LOSS



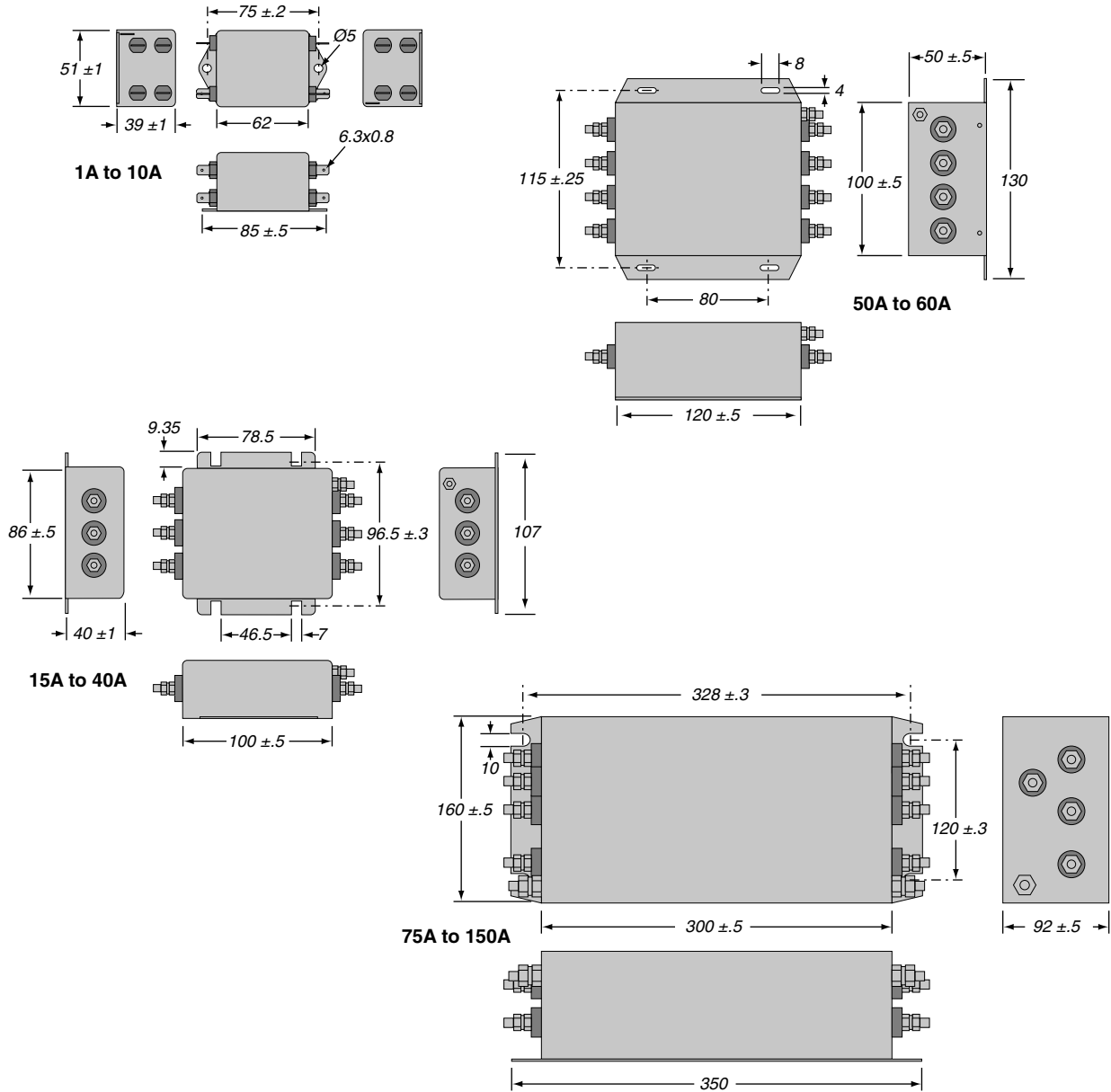
(continued)

TG Series

Three Phase General Type EMI Filter with Neutral

DIMENSIONS

All dimensions in mm; Tolerances according to ISO2768-m



ORDERING INFORMATION

TGA-002

Series	Voltage	Current rating
	A = 440V	
	B = 520V	

Standard part numbers

TGA-001	TGA-040
TGA-003	TGA-050
TGA-006	TGA-060
TGA-010	TGA-075
TGA-015	TGA-080
TGA-016	TGA-100
TGA-020	TGA-125
TGA-025	TGA-150
TGA-030	