

■ PRODUCT CHARACTERISTICS

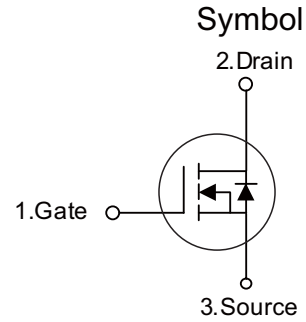
VDSS	700V
R _{DS(on)} Typ(@V _{GS} = 10 V)	2.6Ω
Qg@type	15nC
ID	4A

■ APPLICATIONS

- * High frequency switching mode power supply
- * Electronic ballast
- * LED power supplies

■ FEATURES

- * Ultra Low Gate Charge
- * Low Reverse Transfer Capacitance
- * Fast Switching Capability
- * Avalanche Energy Specified
- * Improved dv/dt Capability, High Ruggedness



■ ORDER INFORMATION

Order codes		Package	Packing
Halogen-Free	Halogen		
N/A	MOT4N70C	TO-251	70 pieces/Tube
N/A	MOT4N70D	TO-252	2500 pieces/Reel

■ ABSOLUTE MAXIMUM RATINGS (T_A = 25°C, unless otherwise specified)

PARAMETER	SYMBOL	RATINGS	UNIT
Drain-Source Voltage	V _{DSS}	700	V
Gate-Source Voltage	V _{GSS}	±30	V
Avalanche Current (Note 2)	I _{AR}	4	A
Drain Current	Continuous	I _D	4
	Pulsed (Note 2)	I _{DM}	16
Avalanche Energy	Single Pulsed (Note 3)	E _{AS}	260
	Repetitive (Note 2)	E _{AR}	10.6
Peak Diode Recovery dv/dt (Note 4)	dv/dt	4.5	V/ns
Power Dissipation	P _D	49	W
Junction Temperature	T _J	+150	°C
Operating Temperature	T _{OPR}	-55 ~ +150	°C
Storage Temperature	T _{STG}	-55 ~ +150	°C

Notes: 1. Absolute maximum ratings are those values beyond which the device could be permanently damaged.

Absolute maximum ratings are stress ratings only and functional device operation is not implied.

2. Repetitive Rating : Pulse width limited by maximum junction temperature

3. L = 26.9mH, I_{AS} = 4A, V_{DD} = 50V, R_G = 25 Ω, Starting T_J = 25°C

4. I_{SD} ≤ 4A, di/dt ≤ 200A/μs, V_{DD} ≤ BV_{DSS}, Starting T_J = 25°C

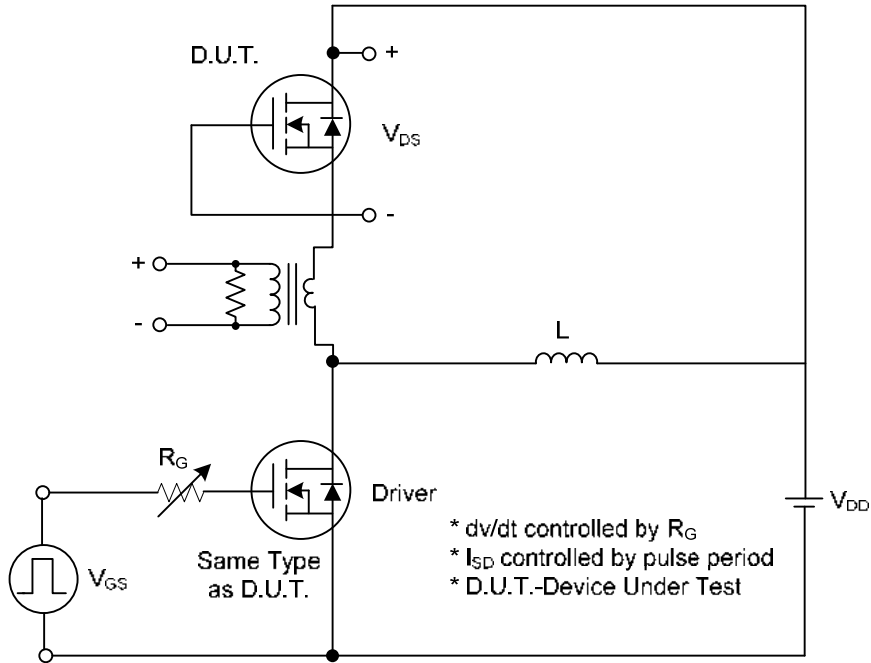
■ ELECTRICAL CHARACTERISTICS ($T_A = 25^\circ\text{C}$, unless otherwise specified)

PARAMETER	SYMBOL	TEST CONDITIONS	MIN	TYP	MAX	UNIT
Off characteristics						
Drain-Source Breakdown Voltage	BV_{DSS}	$V_{GS} = 0\text{ V}, I_D = 250\ \mu\text{A}$	700	-	-	V
Drain-Source Leakage Current	I_{DSS}	$V_{DS} = 700\text{ V}, V_{GS} = 0\text{ V}$	-	-	10	μA
Gate-Source Leakage Current	Forward	$V_{GS} = 30\text{ V}, V_{DS} = 0\text{ V}$ $V_{GS} = -30\text{ V}, V_{DS} = 0\text{ V}$	-	-	100	nA
	Reverse		-	-	-100	
Breakdown Voltage Temperature Coefficient	$\Delta BV_{DSS}/\Delta T_J$	$I_D = 250\ \mu\text{A}$, Referenced to 25°C	-	0.6	-	$\text{V}/^\circ\text{C}$
On characteristics						
Gate Threshold Voltage	$V_{GS(TH)}$	$V_{DS} = V_{GS}, I_D = 250\ \mu\text{A}$	2.0	-	4.0	V
Static Drain-Source On-State Resistance	$R_{DS(ON)}$	$V_{GS} = 10\text{ V}, I_D = 2\text{ A}$	-	2.6	2.8	Ω
Dynamic characteristics						
Input Capacitance	C_{ISS}	$V_{DS} = 25\text{ V}, V_{GS} = 0\text{ V},$ $f = 1\text{ MHz}$	-	520	-	pF
Output Capacitance	C_{OSS}		-	70	-	pF
Reverse Transfer Capacitance	C_{RSS}		-	8	-	pF
Switching characteristics						
Turn-On Delay Time	$t_{D(ON)}$	$V_{DD} = 350\text{ V}, I_D = 4\text{ A},$ $R_G = 25\ \Omega$ (Note 1, 2)	-	13	-	ns
Turn-On Rise Time	t_R		-	45	-	ns
Turn-Off Delay Time	$t_{D(OFF)}$		-	25	-	ns
Turn-Off Fall Time	t_F		-	35	-	ns
Total Gate Charge	Q_G	$V_{DS} = 560\text{ V}, I_D = 4\text{ A},$ $V_{GS} = 10\text{ V}$ (Note 1, 2)	-	15	-	nC
Gate-Source Charge	Q_{GS}		-	3.4	-	nC
Gate-Drain Charge	Q_{GD}		-	7.1	-	nC
Source-drain diode ratings and characteristics						
Drain-Source Diode Forward Voltage	V_{SD}	$V_{GS} = 0\text{ V}, I_S = 4\text{ A}$	-	-	1.4	V
Maximum Continuous Drain-Source Diode Forward Current	I_S		-	-	4	A
Maximum Pulsed Drain-Source Diode Forward Current	I_{SM}		-	-	16	A
Reverse Recovery Time	t_{rr}	$V_{GS} = 0\text{ V}, I_S = 4\text{ A},$	-	250	-	ns
Reverse Recovery Charge	Q_{RR}	$di/dt = 100\text{ A}/\mu\text{s}$ (Note 1)	-	1.5	-	μC

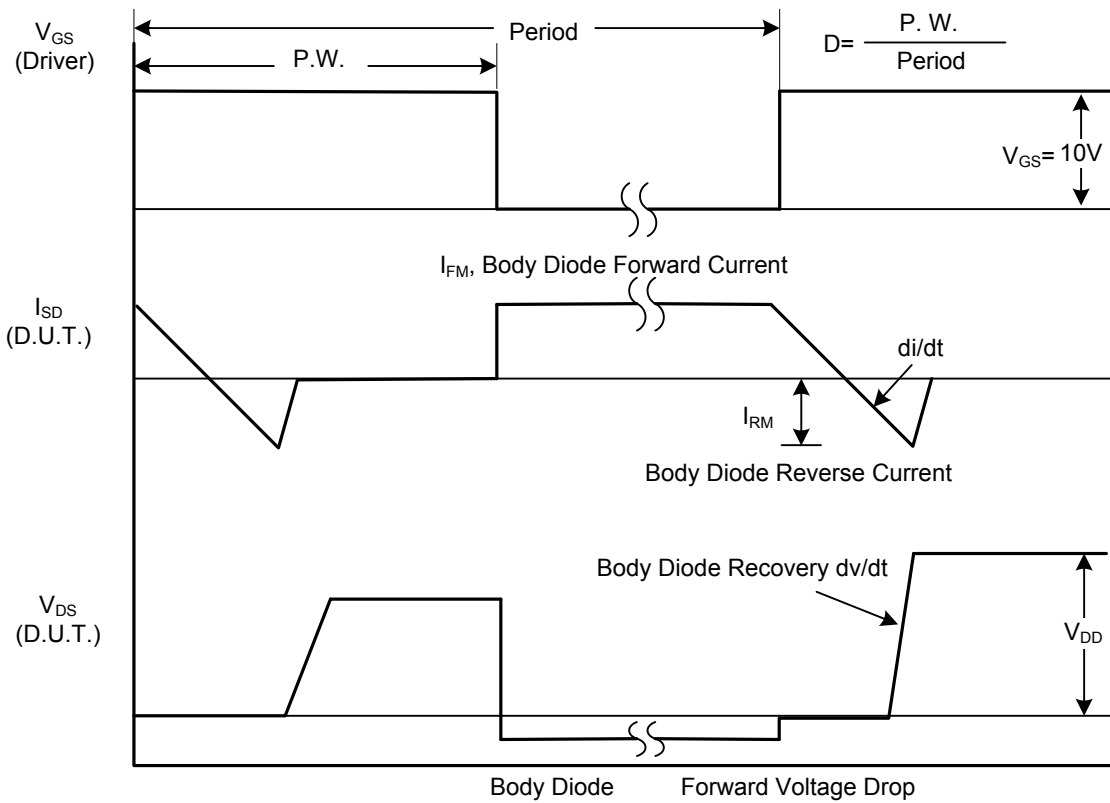
 Notes: 1. Pulse Test: Pulse width $\leq 300\ \mu\text{s}$, Duty cycle $\leq 2\%$

2. Essentially independent of operating temperature

■ TEST CIRCUITS AND WAVEFORMS

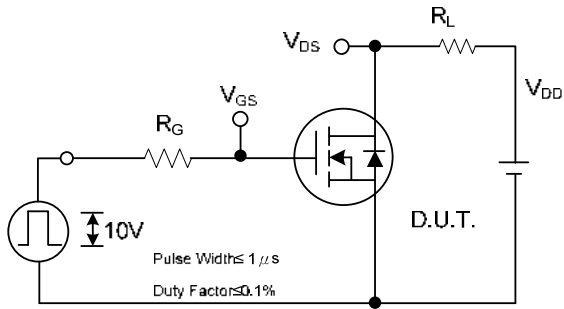


Peak Diode Recovery dv/dt Test Circuit

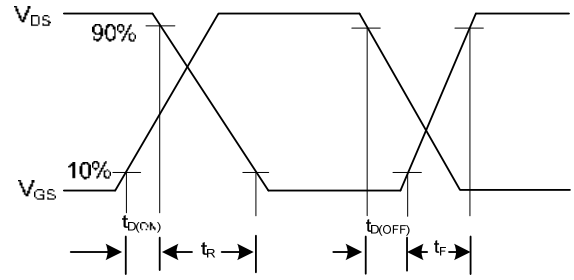


Peak Diode Recovery dv/dt Waveforms

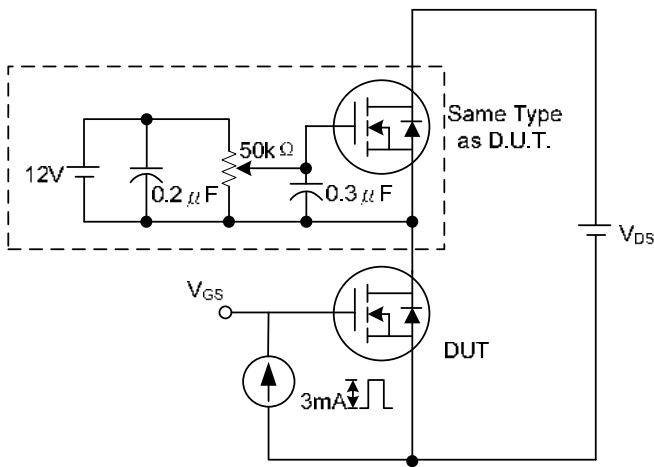
■ TEST CIRCUITS AND WAVEFORMS(Cont.)



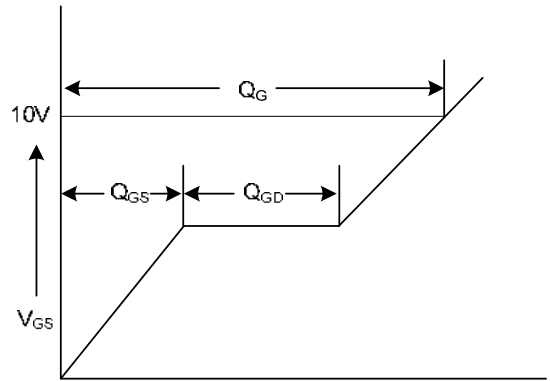
Switching Test Circuit



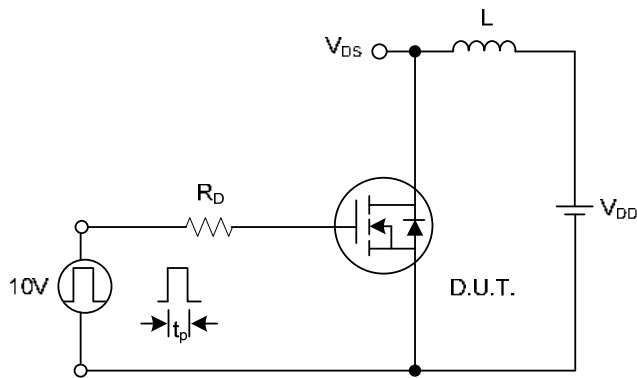
Switching Waveforms



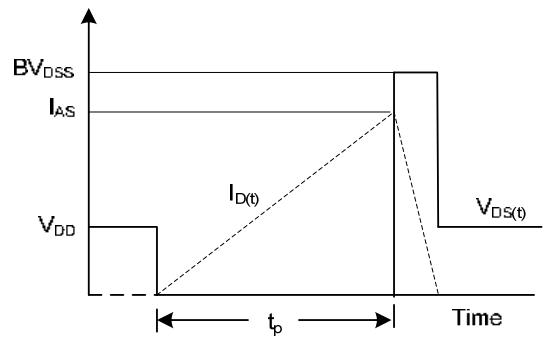
Gate Charge Test Circuit



Gate Charge Waveform

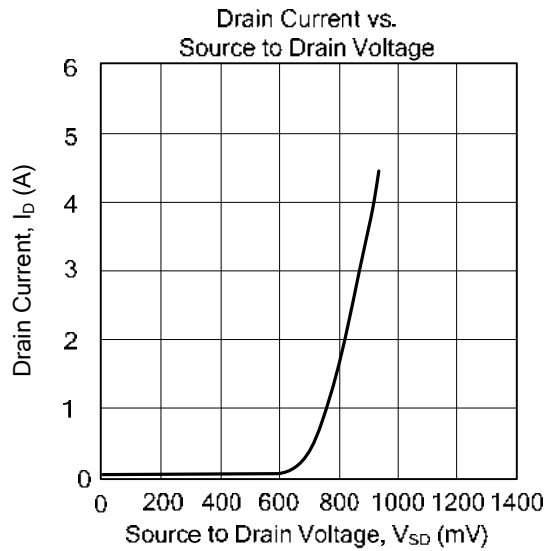
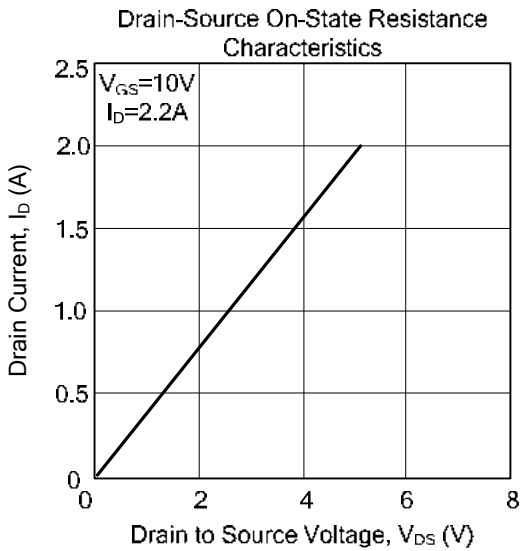
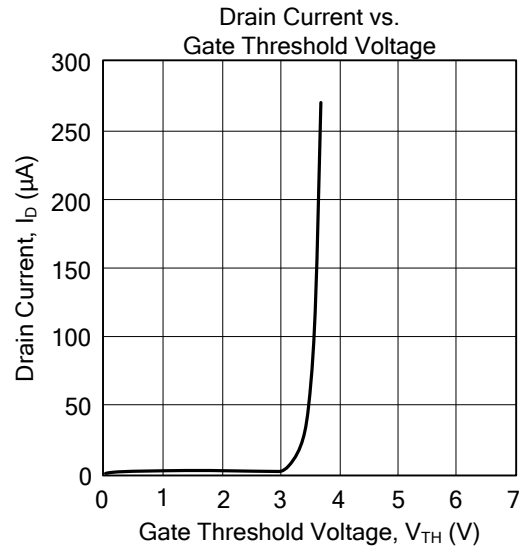
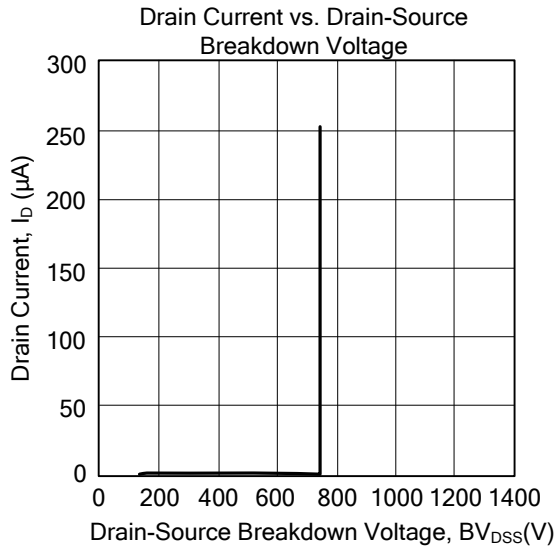


Unclamped Inductive Switching Test Circuit

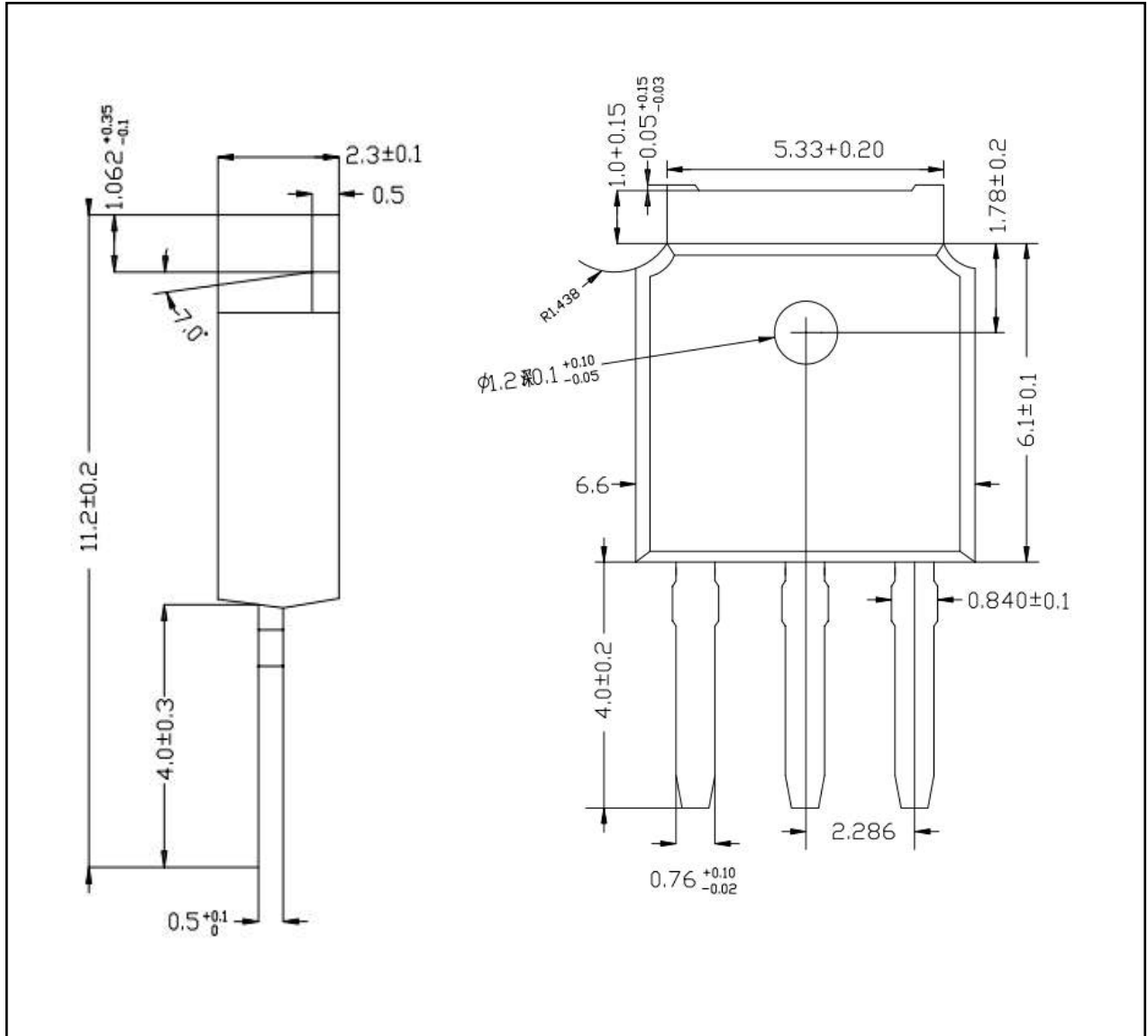


Unclamped Inductive Switching Waveforms

■ TYPICAL CHARACTERISTICS



■ TO-251F-3L PACKAGE OUTLINE DIMENSIONS



■ TO-252F-2L PACKAGE OUTLINE DIMENSIONS

