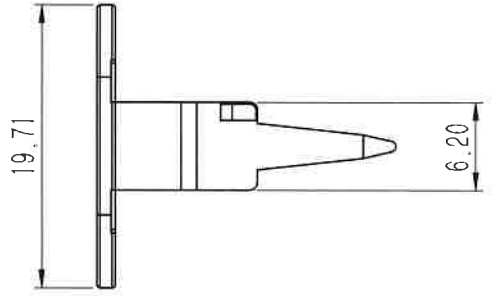
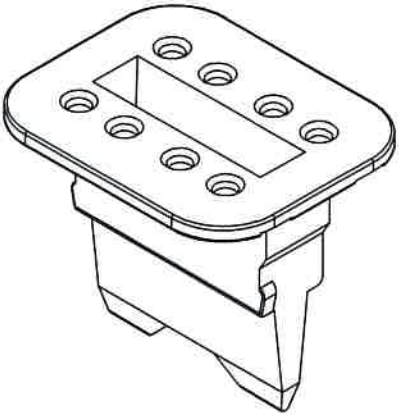
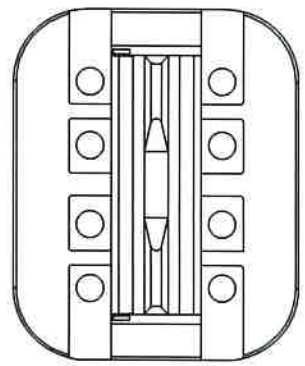
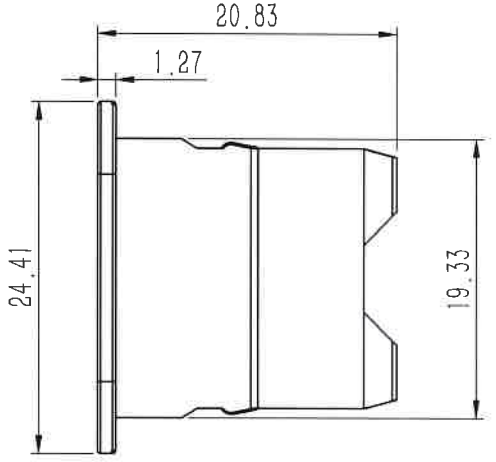
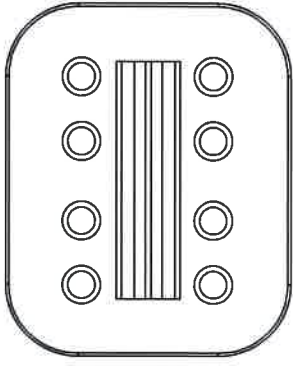


REV	DESCRIPTION	DESIGN	APPROVAL	DATE
A0	NEW VERSION	Colinye	Jerry	

广东济德精密电子有限公司
受控文件
 日期: 2021年10月18日



NOTES:

1. Material/材质: See Table-1/见表-1;
2. The surface of the product shall be free of excessive plastic, lack of plastic, mottle, etc;
产品表面不能有多胶、缺胶、杂色等现象;
3. Harmful material please follow RoHS/产品需符合RoHS标准.
4. Applicable housing/适配塑壳962-081X-0XX-X
5. Order information/编码原则: 961-0816-009

Table-1

NO	P/N	Material/材质	Color/颜色
1	961-0816-009	PBT, UL94 V-0	Orange/橙色

X, ±	X, ° ± 5°	Guangdong JiDe Precision Electronics Co., Ltd 广东济德精密电子有限公司	TITLE: 06Pin MALE TERMINAL RETAINER		PART NO. 961-0816-009			
.X ±	.X° ± 3°		APPD: Jerry		DWG NO. C-961-0816-009			
.XX ± 0.64	.XX° ± /		CHKD: Ray			SCALE 2:1	SHEET 1/1	REV. A0
.XXX ±	.XXX° ± /		DRAW: Colinye					
UNITS:	mm	The information in this document is property of JDC company and should not be copied or reproduced in any other way, without written permission.						