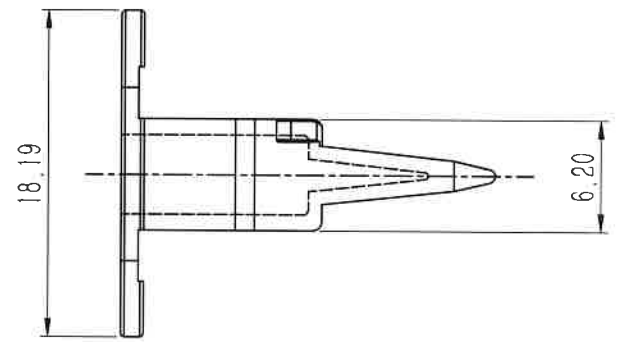
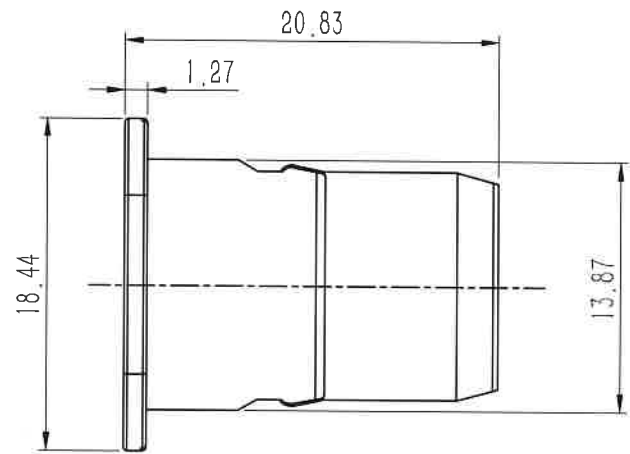
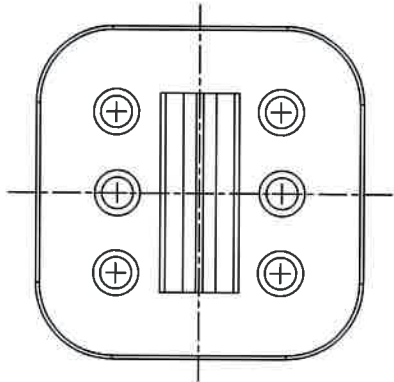


REV	DESCRIPTION	DESIGN	APPROVAL	DATE
A0	NEW VERSION	Colinye	Jerry	




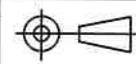
广东济德精密电子有限公司
 受控文件
 日期: 2021年10月18日

NOTES:

1. Material/材质: See Table-1/见表-1;
2. The surface of the product shall be free of excessive plastic, lack of plastic, mottle, etc;
产品表面不能有多胶、缺胶、杂色等现象;
3. Harmful material please follow RoHS/产品需符合RoHS标准.
4. Applicable housing/适配塑壳962-061X-0XX-X
5. Order information/编码原则: 961-0616-001

Table-1

NO	P/N	Material/材质	Color/颜色
1	961-0616-001	PBT, UL94 V-0	Orange/橙色

X ±	X ° ± 5°	 Guangdong JiDe Precision Electronics Co., Ltd 广东济德精密电子有限公司	TITLE: 06Pin MALE TERMINAL RETAINER		PART NO. 961-0616-001		
.X ±	.X° ± 3°				DWG NO. C-961-0616-001		
.XX ± 0.04	.XX° ± /		APPD: Jerry				SCALE 2.5:1
.XXX ±	.XXX° ± /		CHKD: Ray				
UNITS: mm		DRAW: Colinye					

The information in this document is property of JIDC company and should not be copied or reproduced in any other way, without written permission.