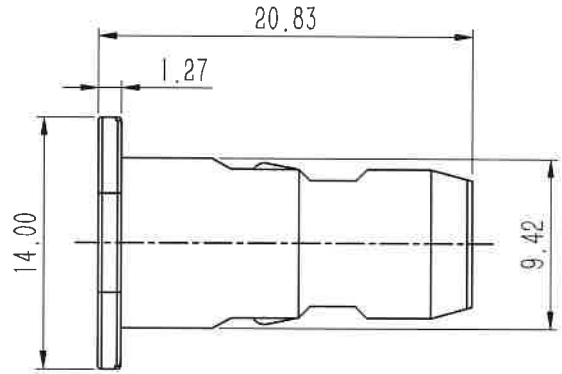
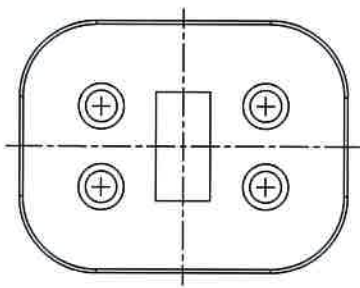
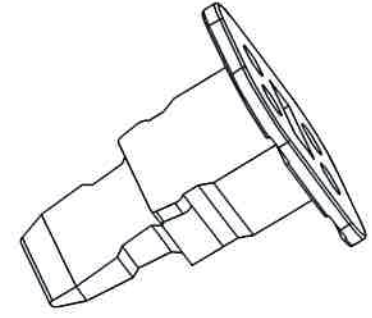
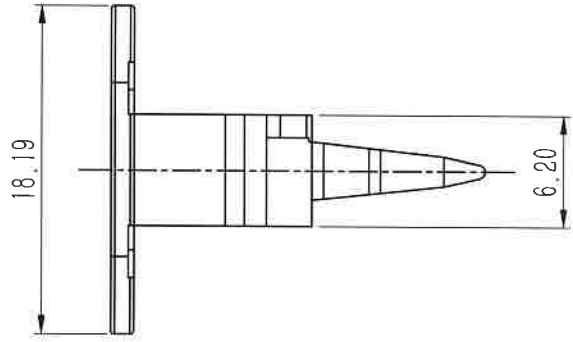


REV	DESCRIPTION	DESIGN	APPROVAL	DATE
A0	NEW VERSION	Colinye	Jerry	

广东济德精密电子有限公司
受控文件
 日期: 2021年10月18日




NOTES:

1. Material/材质: See Table-1/见表-1;
2. The surface of the product shall be free of excessive plastic, lack of plastic, mottle, etc;
产品表面不能有多胶、缺胶、杂色等现象;
3. Harmful material please follow RoHS/产品需符合RoHS标准.
4. Applicable housing/适配塑壳962-041X-0XX-X
5. Order information/编码原则: 961-0416-001

Table-1

NO	P/N	Material/材质	Color/颜色
1	961-0416-001	PBT, UL94 V-0	Orange/橙色

X ±	X.* ± 5"	 Guangdong JiDe Precision Electronics Co., Ltd 广东济德精密电子有限公司	TITLE: 04Pin MALE TERMINAL RETAINER		PART NO. 961-0416-001							
X ±	X.* ± 3"		APPD: Jerry		DWG NO. C-961-0416-001							
.XX ± 0.64	.XX.* ± /		CHKD: Ray		<table border="1"> <tr> <td>SCALE</td> <td>SHEET</td> <td>REV.</td> </tr> <tr> <td>2.5:1</td> <td>1/1</td> <td>A0</td> </tr> </table>		SCALE	SHEET	REV.	2.5:1	1/1	A0
SCALE	SHEET		REV.									
2.5:1	1/1		A0									
.XXX ±	.XXX.* ± /	DRAW: Colinye										
UNITS: mm												

The information in this document is property of JIDC company and should not be copied or reproduced in any other way, without written permission.

