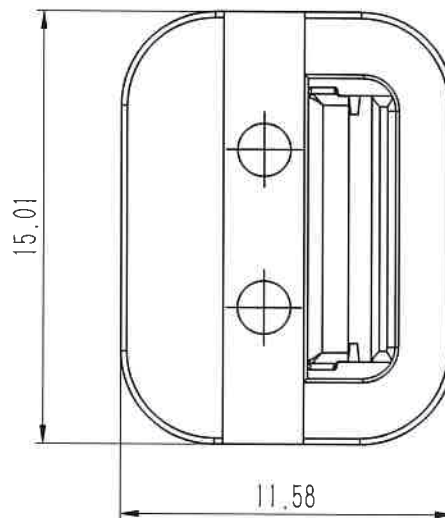
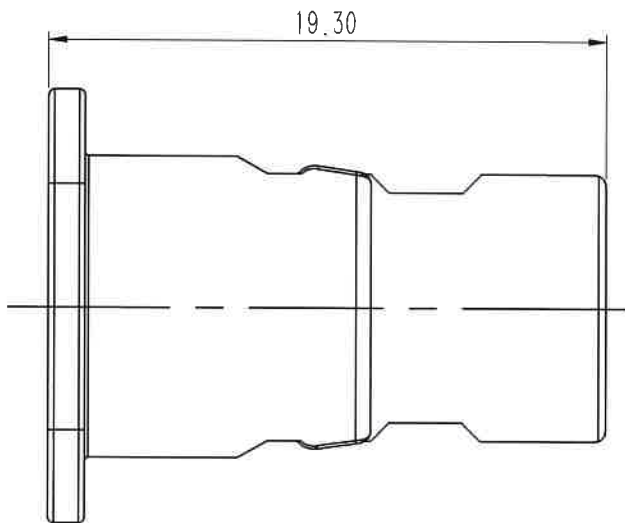


REV	DESCRIPTION	DESIGN	APPROVAL	DATE
A0	NEW VERSION	Colinye	Jerry	



广东济德精密电子有限公司  
 受控文件  
 日期: 2021年10月18日

NOTES:

1. Material/材质: See table-1/见表-1;
2. The surface of the product shall be free of excessive plastic, lack of plastic, mottle, etc;  
产品表面不能有多胶、缺胶、杂色等现象;
3. Harmful material please follow RoHS;  
产品需符合RoHS标准.
4. Applicable housing/适配塑壳962-021X-0XX-X
5. Order information/编码原则: 961-0216-001

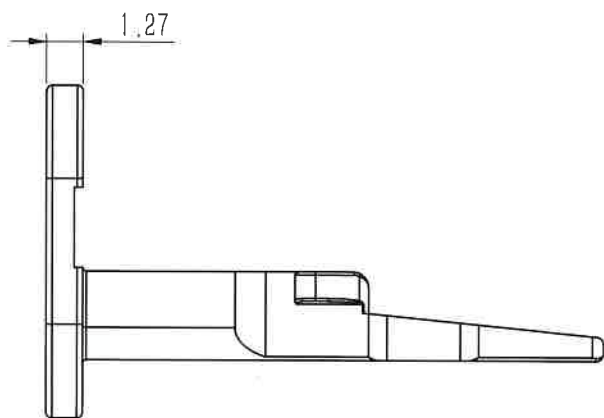


Table-1

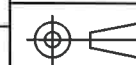
NO	P/N	Material/材质	Color/颜色
1	961-0216-001	PBT, UL94 V-0	Orange/橙色

X ±	X ° ± 5°	 Guangdong JiDe Precision Electronics Co., Ltd 广东济德精密电子有限公司							
.X ±	.X ° ± 3°								
.XX ± 0.04	.XX ° ± /								
.XXX ±	.XXX ° ± /								
UNITS:	mm	TITLE: 02Pin FEMALE TERMINAL RETAINER	PART NO. 961-0216-001						
The information in this document is property of JIDC company and should not be copied or reproduced in any other way, without written permission.	APPD:	Jerry	DWG NO. C-961-0216-001						
	CHKD:	Roy	<table border="1"> <tr> <td>SCALE</td> <td>SHEET</td> <td>REV.</td> </tr> <tr> <td>4:1</td> <td>1/1</td> <td>A0</td> </tr> </table>	SCALE	SHEET	REV.	4:1	1/1	A0
	SCALE	SHEET		REV.					
4:1	1/1	A0							
DRAW:	Colinye								

The information in this document is property of JIDC company and should not be copied or reproduced in any other way, without written permission.

APPD: Jerry  
CHKD: Roy  
DRAW: Colinye



SCALE	SHEET	REV.
4:1	1/1	A0